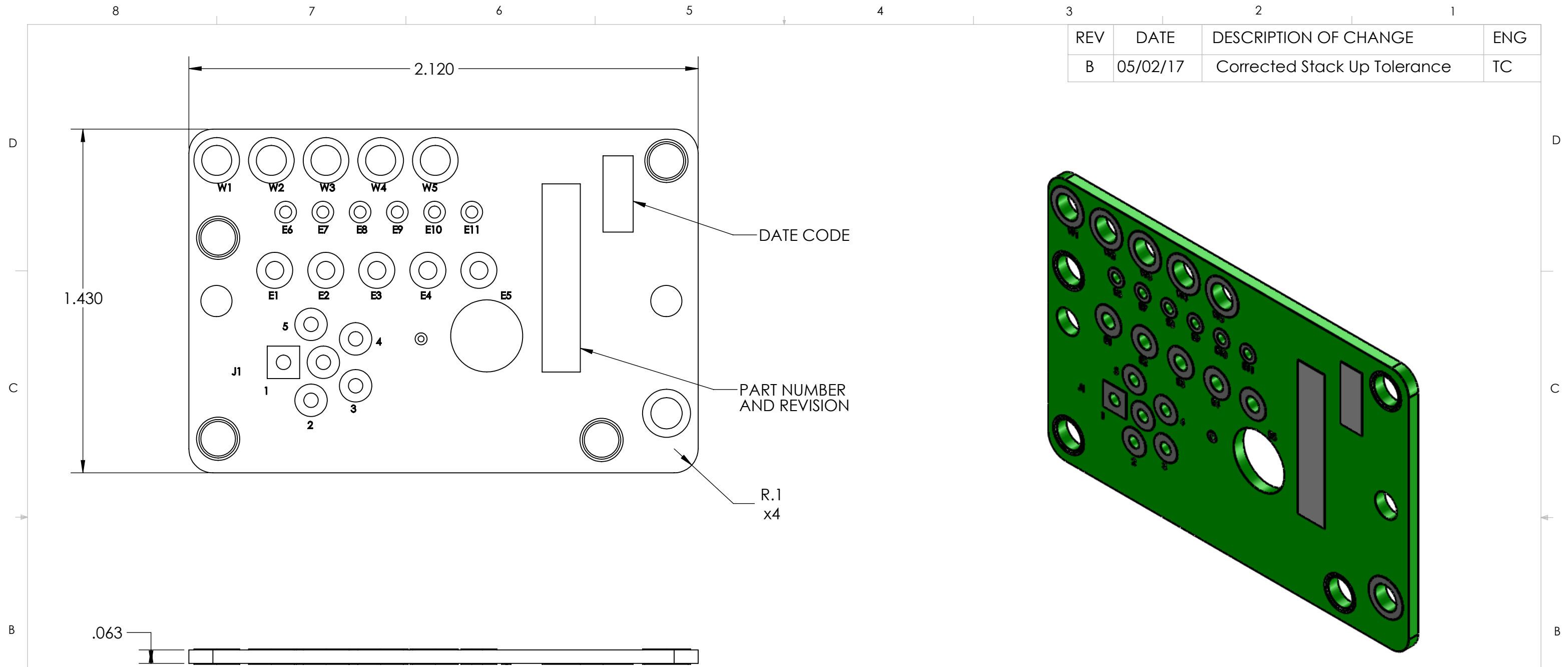


REV	DATE	DESCRIPTION OF CHANGE	ENG
B	05/02/17	Corrected Stack Up Tolerance	TC



CONNECTOR	SIGNAL DESCRIPTION	LOCATION
J1-1	SECTION A (V-)	E1
J1-2	SECTION B (V-)	E2
J1-3	SECTION A (V+)	E3
J1-4	SECTION A (V+)	E4
J1-5	SECTION B (V+)	E5
J1-6	CHARGE ENABLE (-)	E11
W1	SECTION A - CLOCK	E6
W2	DETECTION A - DATA	E7
W3-6	CHARGE ENABLE (+)	E8
W4	SECTION B - CLOCK	E9
W5	SECTION B - DATA	E10

NOTES:  
 1) PCB MATERIAL: GLASS FILLED EPOXY  
 2) SUPPLIER: RELIANCE ELECTRONICS  
 3) SUPPLIER PN: SN-404-PCB

UNLESS OTHERWISE SPECIFIED:  
 DIMENSIONS ARE IN: INCHES  
 TOLERANCES: .XX: ± 0.03  
 .XXX: ± 0.005  
 ANGULAR: .X°: 1°  
 .XX°: 0.5°  
 BREAK EDGES: .005 - .020  
 FILLETS: .005 - .020  
 SURFACE FINISH:  
 GEOMETRIC TOLERANCING  
 PER: ASME Y14.5-2009  
 MATERIAL: SEE DRAWING NOTES  
 FINISH: SEE DRAWING NOTES  
 DO NOT SCALE DRAWING

	NAME	DATE
DRAWN	RJB	01/10/13
CHECKED	RJB	01/10/13
COMMENTS:		
<b>PROPRIETARY AND CONFIDENTIAL</b>		
THE INFORMATION CONTAINED IN THIS DRAWING IS THE SOLE PROPERTY OF SUPPLYNET, INC. ANY REPRODUCTION IN PART OR AS A WHOLE WITHOUT THE WRITTEN PERMISSION OF SUPPLYNET INC. IS PROHIBITED.		

PART NUMBER: SN0008-1

**SupplyNet** 706 EXECUTIVE BLVD.  
SUITE B  
VALLEY COTTAGE, NY 10989

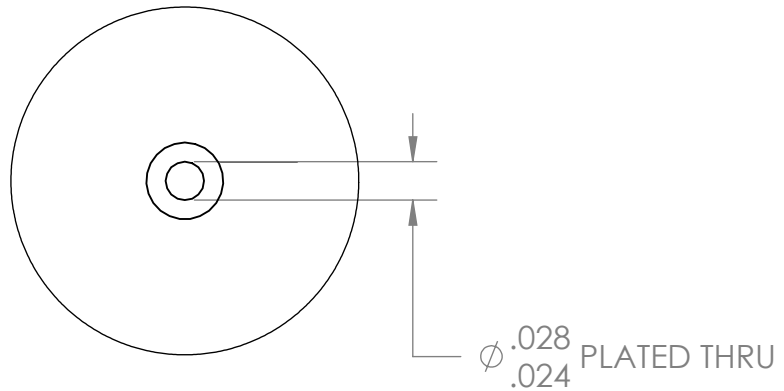
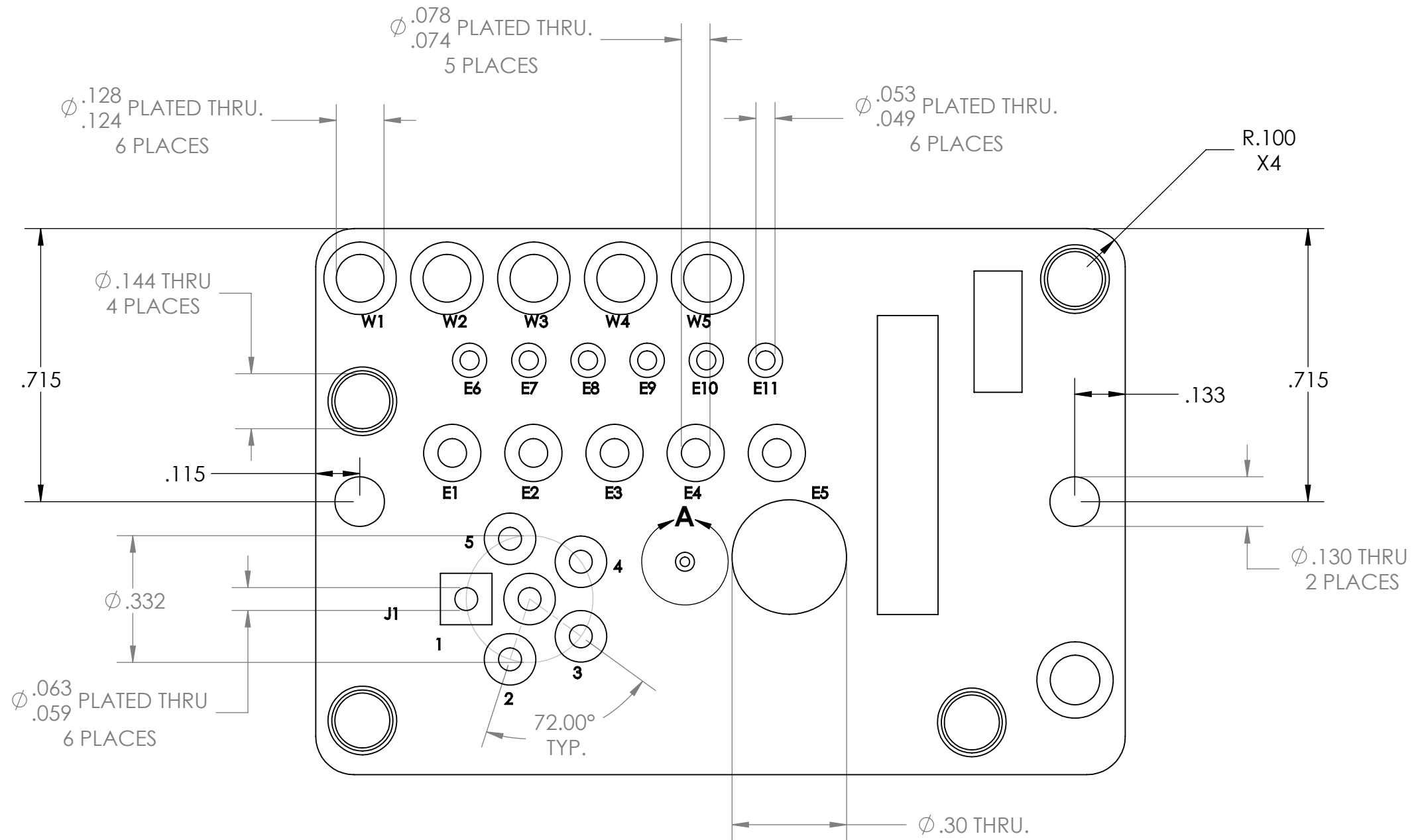
TITLE:  
**PRINTED CIRCUIT BOARD**

SIZE <b>B</b>	DWG. NO. <b>SN0008</b>	REV <b>B</b>
SCALE: NA	WEIGHT:	SHEET 1 OF 4

**CAGE CODE: 1HJX9**

8 7 6 5 4 3 2 1

D  
C  
B  
A



**DETAIL A  
SCALE 8 : 1**

**PROPRIETARY AND CONFIDENTIAL**  
 THE INFORMATION CONTAINED IN THIS DRAWING IS THE SOLE PROPERTY OF SUPPLYNET, INC. ANY REPRODUCTION IN PART OR AS A WHOLE WITHOUT THE WRITTEN PERMISSION OF SUPPLYNET INC. IS PROHIBITED.

**CAGE CODE: 1HJX9**

PART NUMBER: SN0008-1

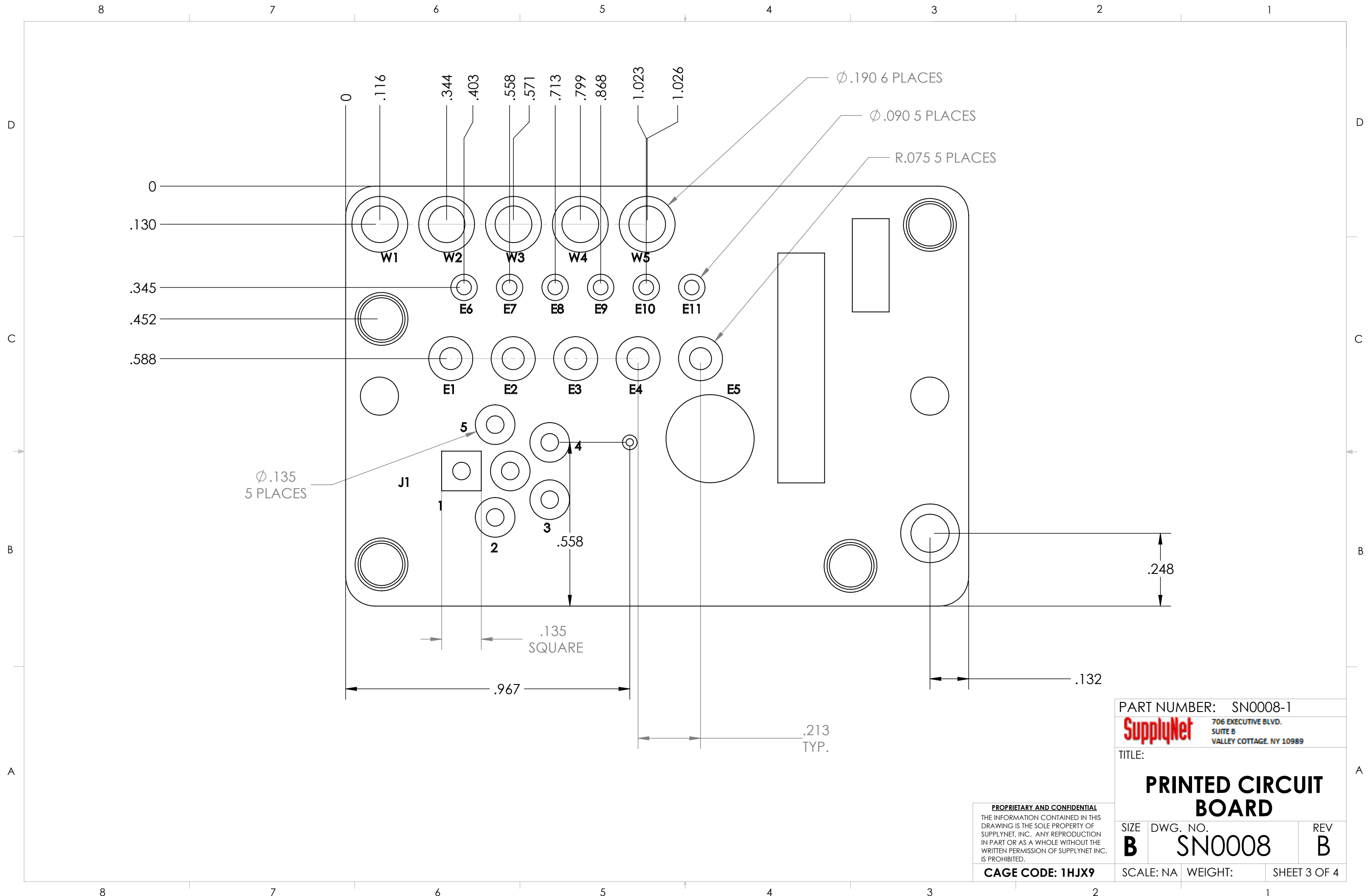
**SupplyNet** 706 EXECUTIVE BLVD.  
 SUITE B  
 VALLEY COTTAGE, NY 10989

TITLE:  
**PRINTED CIRCUIT BOARD**

SIZE <b>B</b>	DWG. NO. <b>SN0008</b>	REV <b>B</b>
------------------	---------------------------	-----------------


SCALE: NA	WEIGHT:	SHEET 2 OF 4
-----------	---------	--------------

8 7 6 5 4 3 2 1



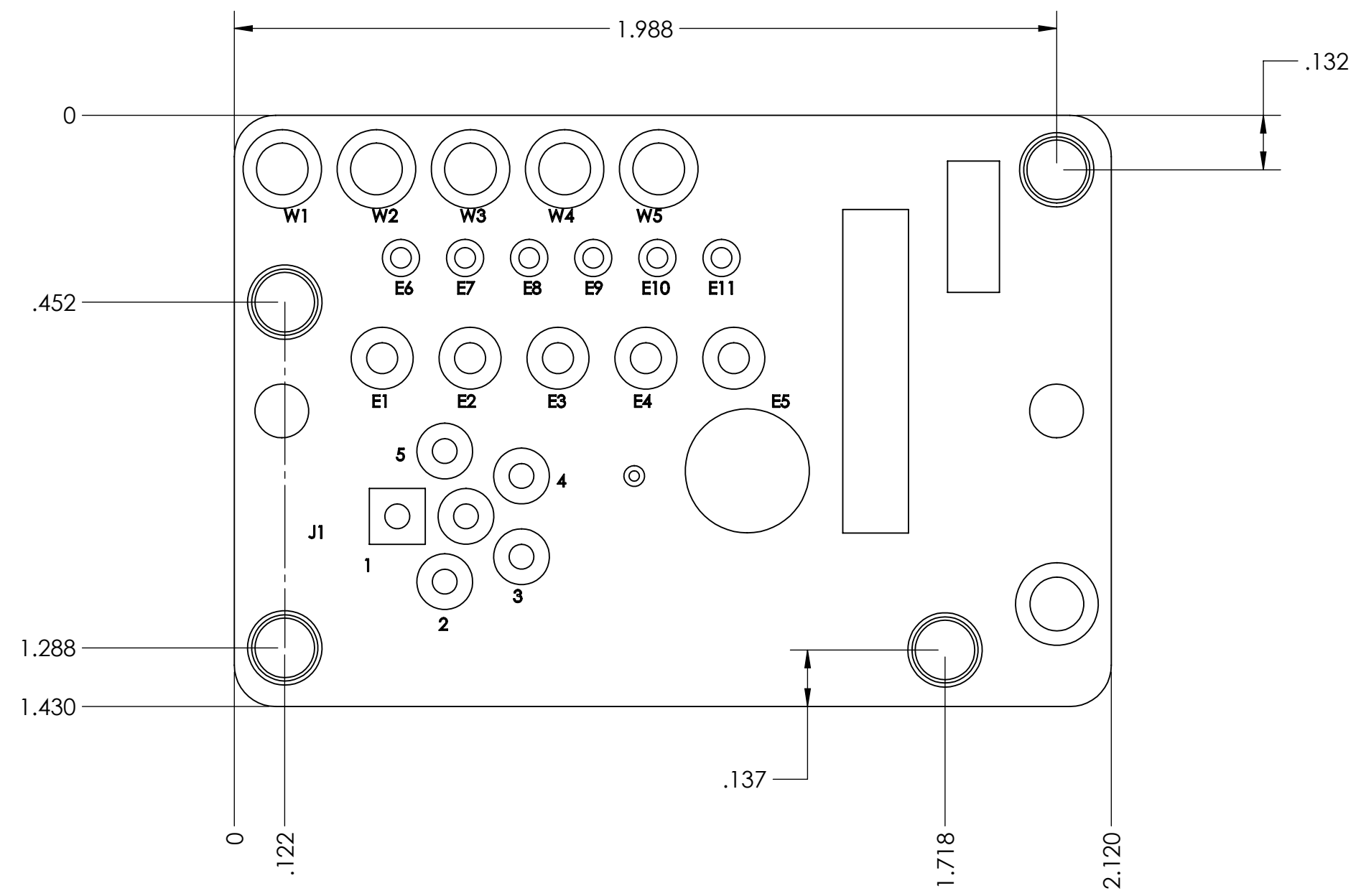
**PROPRIETARY AND CONFIDENTIAL**  
 THE INFORMATION CONTAINED IN THIS DRAWING IS THE SOLE PROPERTY OF SUPPLYNET, INC. ANY REPRODUCTION IN PART OR AS A WHOLE WITHOUT THE WRITTEN PERMISSION OF SUPPLYNET INC. IS PROHIBITED.

**CAGE CODE: 1HJX9**

PART NUMBER: SN0008-1		
 706 EXECUTIVE BLVD. SUITE B VALLEY COTTAGE, NY 10989		
TITLE:		
<b>PRINTED CIRCUIT BOARD</b>		
SIZE <b>B</b>	DWG. NO. <b>SN0008</b>	REV <b>B</b>
SCALE: NA	WEIGHT:	SHEET 3 OF 4

8 7 6 5 4 3 2 1

D  
C  
B  
A



PART NUMBER: SN0008-1

**SupplyNet** 706 EXECUTIVE BLVD.  
SUITE B  
VALLEY COTTAGE, NY 10989

TITLE:  
**PRINTED CIRCUIT BOARD**

SIZE <b>B</b>	DWG. NO. <b>SN0008</b>	REV <b>B</b>
------------------	---------------------------	-----------------

**PROPRIETARY AND CONFIDENTIAL**  
THE INFORMATION CONTAINED IN THIS DRAWING IS THE SOLE PROPERTY OF SUPPLYNET, INC. ANY REPRODUCTION IN PART OR AS A WHOLE WITHOUT THE WRITTEN PERMISSION OF SUPPLYNET INC. IS PROHIBITED.

<b>CAGE CODE: 1HJX9</b>	SCALE: NA	WEIGHT:	SHEET 4 OF 4
-------------------------	-----------	---------	--------------

8 7 6 5 4 3 2 1