

REV	DATE	DESCRIPTION OF CHANGE	ENG
A	7/22/2020	INITIAL REV.	TC

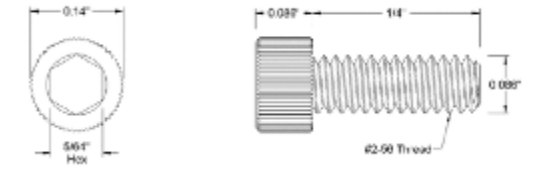
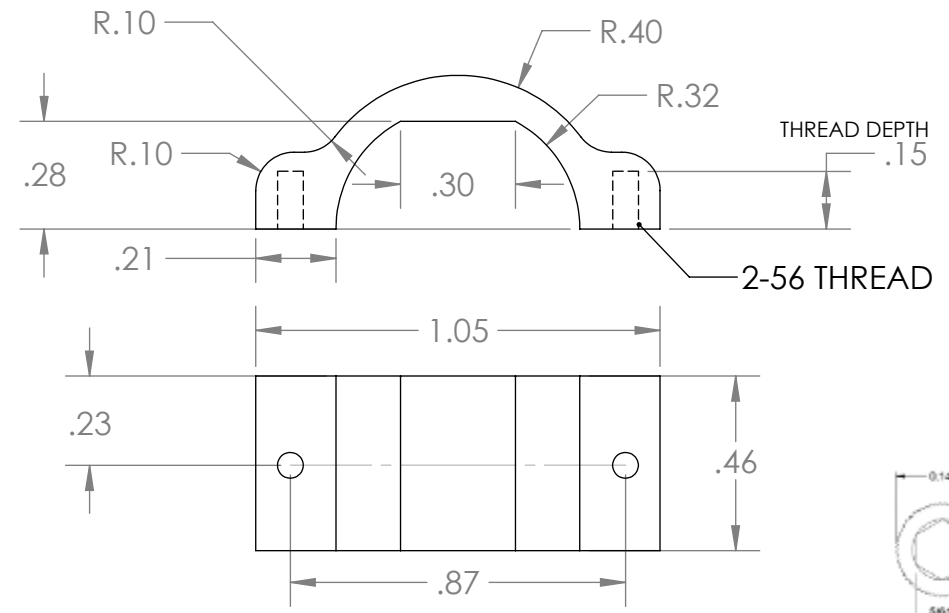
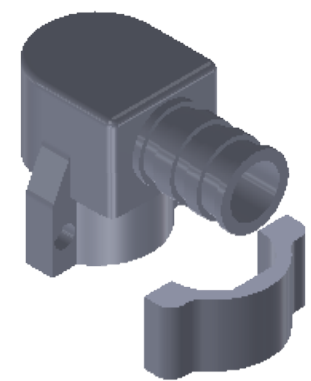
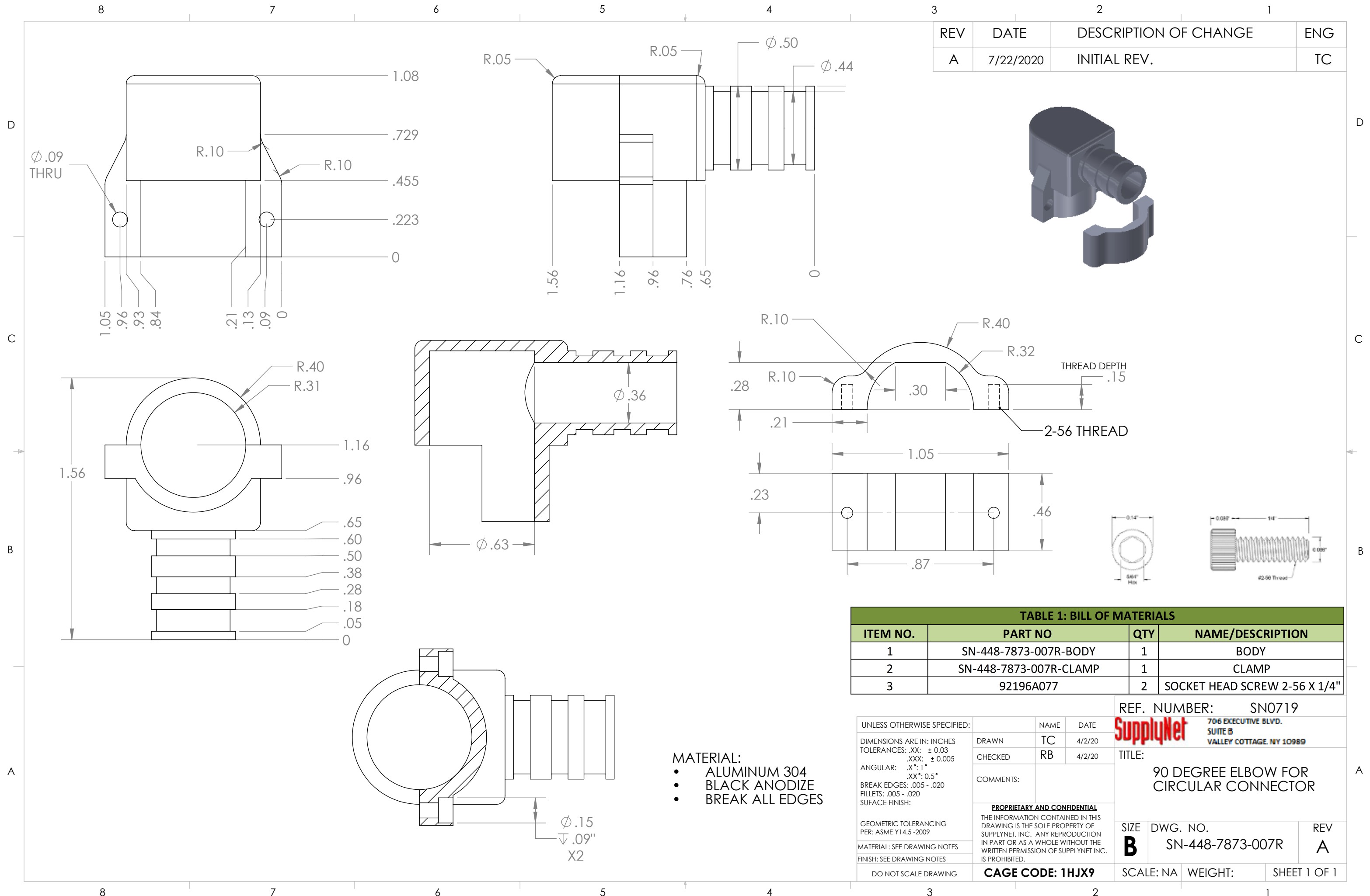


TABLE 1: BILL OF MATERIALS			
ITEM NO.	PART NO	QTY	NAME/DESCRIPTION
1	SN-448-7873-007R-BODY	1	BODY
2	SN-448-7873-007R-CLAMP	1	CLAMP
3	92196A077	2	SOCKET HEAD SCREW 2-56 X 1/4"

- MATERIAL:**
- ALUMINUM 304
 - BLACK ANODIZE
 - BREAK ALL EDGES

UNLESS OTHERWISE SPECIFIED:
 DIMENSIONS ARE IN: INCHES
 TOLERANCES: .XX: ± 0.03
 .XXX: ± 0.005
 ANGULAR: .X°: 1°
 .XX°: 0.5°
 BREAK EDGES: .005 - .020
 FILLETS: .005 - .020
 SURFACE FINISH:
 GEOMETRIC TOLERANCING
 PER: ASME Y14.5 -2009
 MATERIAL: SEE DRAWING NOTES
 FINISH: SEE DRAWING NOTES

DO NOT SCALE DRAWING

NAME: TC
 DATE: 4/2/20
 CHECKED: RB
 DATE: 4/2/20
 COMMENTS:
PROPRIETARY AND CONFIDENTIAL
 THE INFORMATION CONTAINED IN THIS DRAWING IS THE SOLE PROPERTY OF SUPPLYNET, INC. ANY REPRODUCTION IN PART OR AS A WHOLE WITHOUT THE WRITTEN PERMISSION OF SUPPLYNET INC. IS PROHIBITED.

REF. NUMBER: SN0719

SupplyNet 706 EXECUTIVE BLVD.
 SUITE B
 VALLEY COTTAGE, NY 10989

TITLE: 90 DEGREE ELBOW FOR CIRCULAR CONNECTOR

SIZE: **B** DWG. NO. SN-448-7873-007R REV: **A**

CAGE CODE: 1HJX9 SCALE: NA WEIGHT: SHEET 1 OF 1