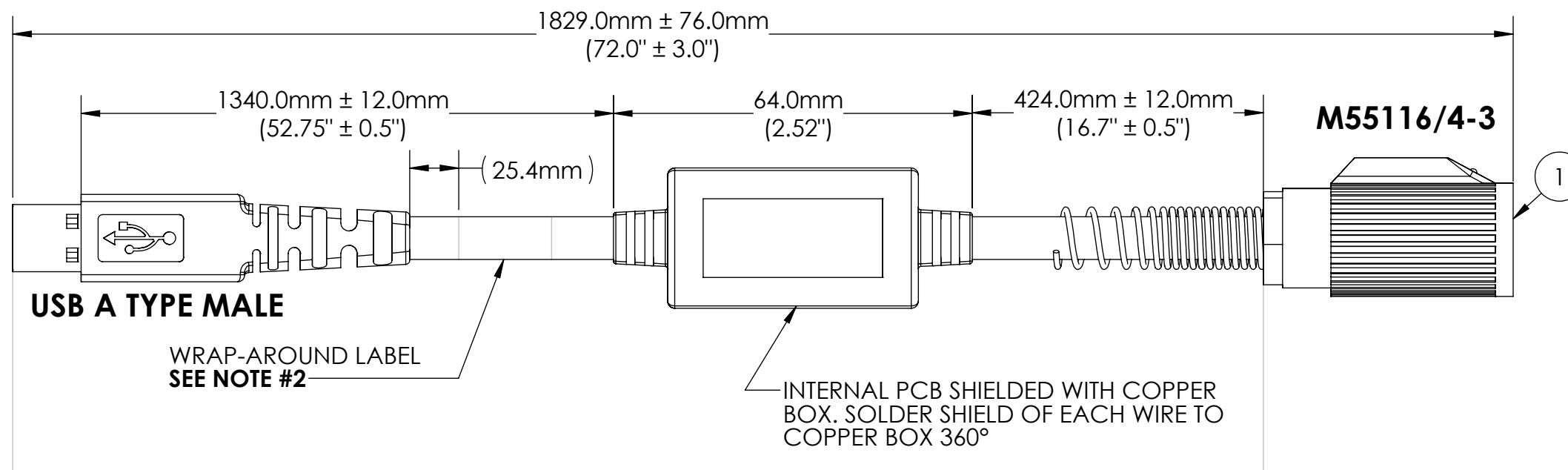
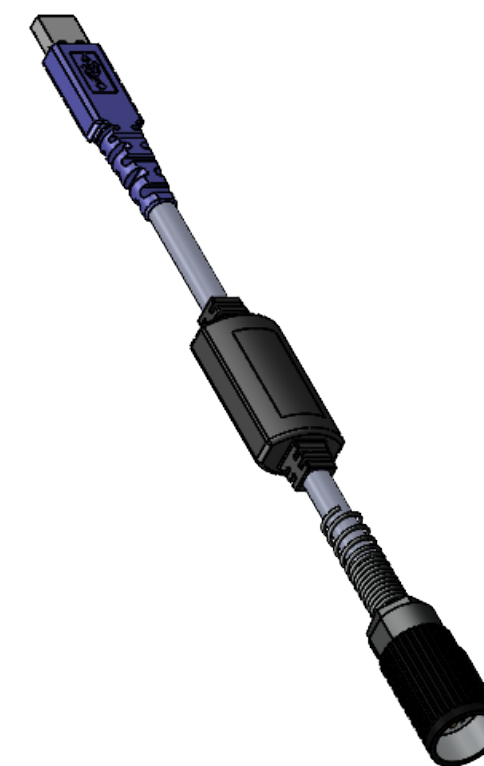
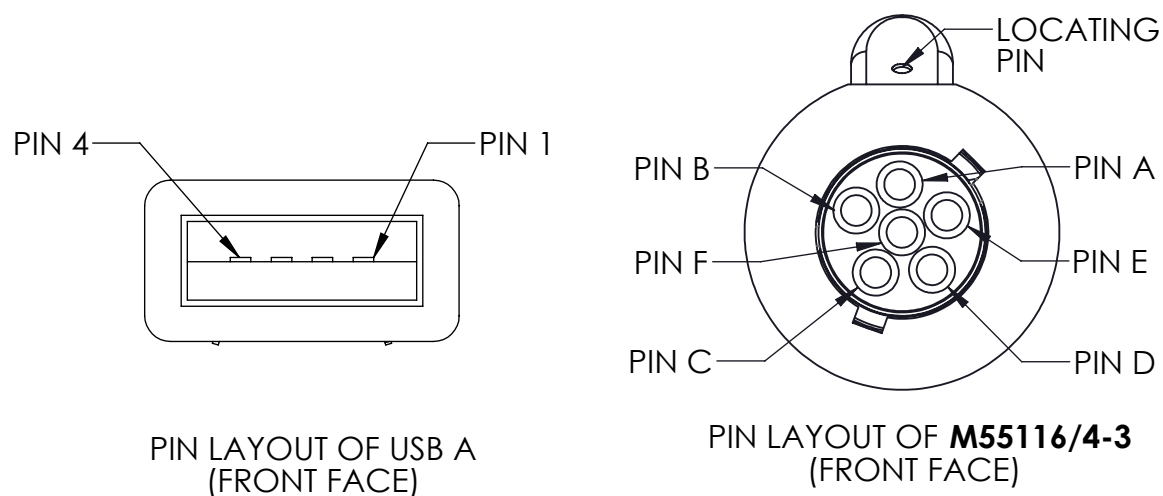


WIRE RUN LIST					
USB	USB SIGNAL	COLOR	SERIAL SIGNAL	WIRE COLOR	TO (M5516/4-3)
1	VCC	RED	GND	GREEN	A
2	D-	WHITE	RTS	BLUE	B
3	D+	GREEN	RD	RED	C
4	GND	BLACK	TX	ORANGE	D
			CTS	PURPLE	E
			RI	GREY	F
	SHELL	SHIELD	CHASSIS GND	SHIELD	SHELL

REV	DATE	DESCRIPTION OF CHANGE	ENG
F	6/7/21	ADDED BOM & CORRECTED USB PIN WIRE COLORS	TC



NOTES:

- CABLE ASSEMBLIES TO BE 100% TESTED FOR CONTINUITY, SHORTS AND INSULATION RESISTANCE (250V @100MOHM MINIMUM)
- PLACE AN ADHESIVE LINED WRAP-AROUND LABEL ON THE ASSEMBLY WHERE INDICATED ON DRAWING. THE LABEL IS TO CONTAIN THE FOLLOWING INFORMATION:
PN: SN-CY004 REV X (REV MARKING PER PO)
CAGE CODE: 1HJX9
DATE OF MFGR: MM/YY (MM = MONTH MANUFACTURED, YY = LAST TWO DIGITS OF YEAR MANUFACTURED)
- WIRING FUNCTION AND PIN LOCATION: SEE TABLE 1.
- REFERENCE SUPPLYNET FILE NUMBER SNO179.
- MANUFACTURE AND INSPECT IAW IPC/WHMA A-620 CLASS 2.
- COVER SOLDERED CONNECTIONS WITH SHRINK TUBING.
- CAP AND STOWE UNUSED WIRES.

BILL OF MATERIALS			
ITEM NO.	PART NUMBER	QTY	NAME / DESCRIPTION
1	M55116/4-3	1	6 Pin Audio Connector Cable Mount MIL-C 55116
2	CSPTX08A-06	1	Serial to USB Cable, Unterminated (SEE PAGE 2)

UNLESS OTHERWISE SPECIFIED:		NAME	DATE
DIMENSIONS ARE IN: INCHES		DRAWN	LS 10/20/16
TOLERANCES: .XX: ± 0.03		CHECKED	RJB 10/20/16
.XXX: ± 0.005		COMMENTS:	
ANGULAR: .X°: 1°		PROPRIETARY AND CONFIDENTIAL THE INFORMATION CONTAINED IN THIS DRAWING IS THE SOLE PROPERTY OF SUPPLYNET, INC. ANY REPRODUCTION IN PART OR AS A WHOLE WITHOUT THE WRITTEN PERMISSION OF SUPPLYNET INC. IS PROHIBITED.	
.XX': 0.5°		SIZE B DWG. NO. SN-CY004 REV F	
BREAK EDGES: .005 - .020		SCALE: NA WEIGHT: SHEET 1 OF 1	
FILLET: .005 - .020		CAGE CODE: 1HJX9	
SURFACE FINISH:		DO NOT SCALE DRAWING	
GEOMETRIC TOLERANCING PER: ASME Y14.5 -2009			
MATERIAL: SEE DRAWING NOTES			
FINISH: SEE DRAWING NOTES			

REF. NUMBER: SNO179	706 EXECUTIVE BLVD. SUITE B VALLEY COTTAGE, NY 10989	
TITLE: USB CRYPTO CABLE FOR AN/CYZ-10		
SIZE B	DWG. NO. SN-CY004	REV F
SCALE: NA	WEIGHT:	SHEET 1 OF 1