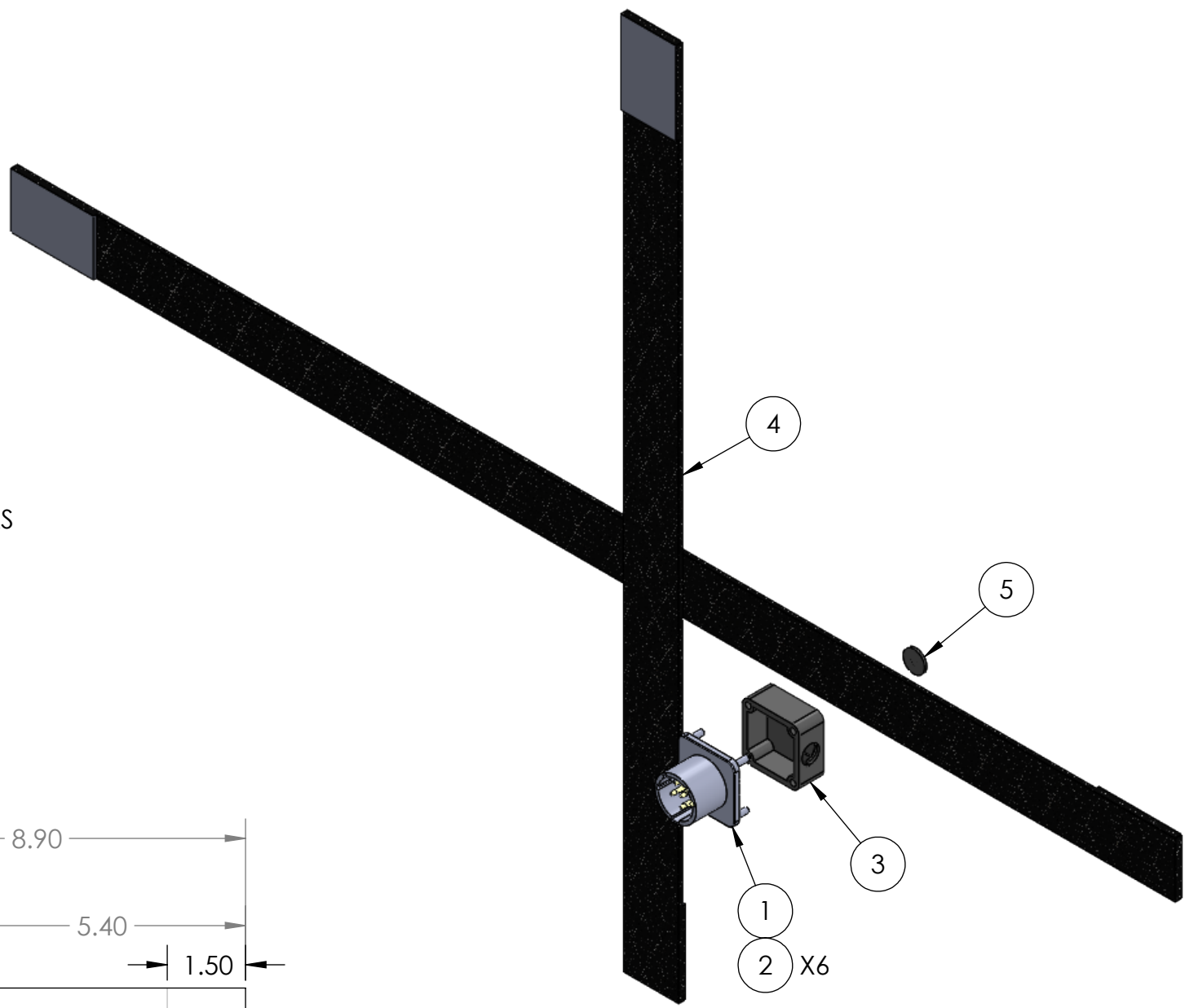
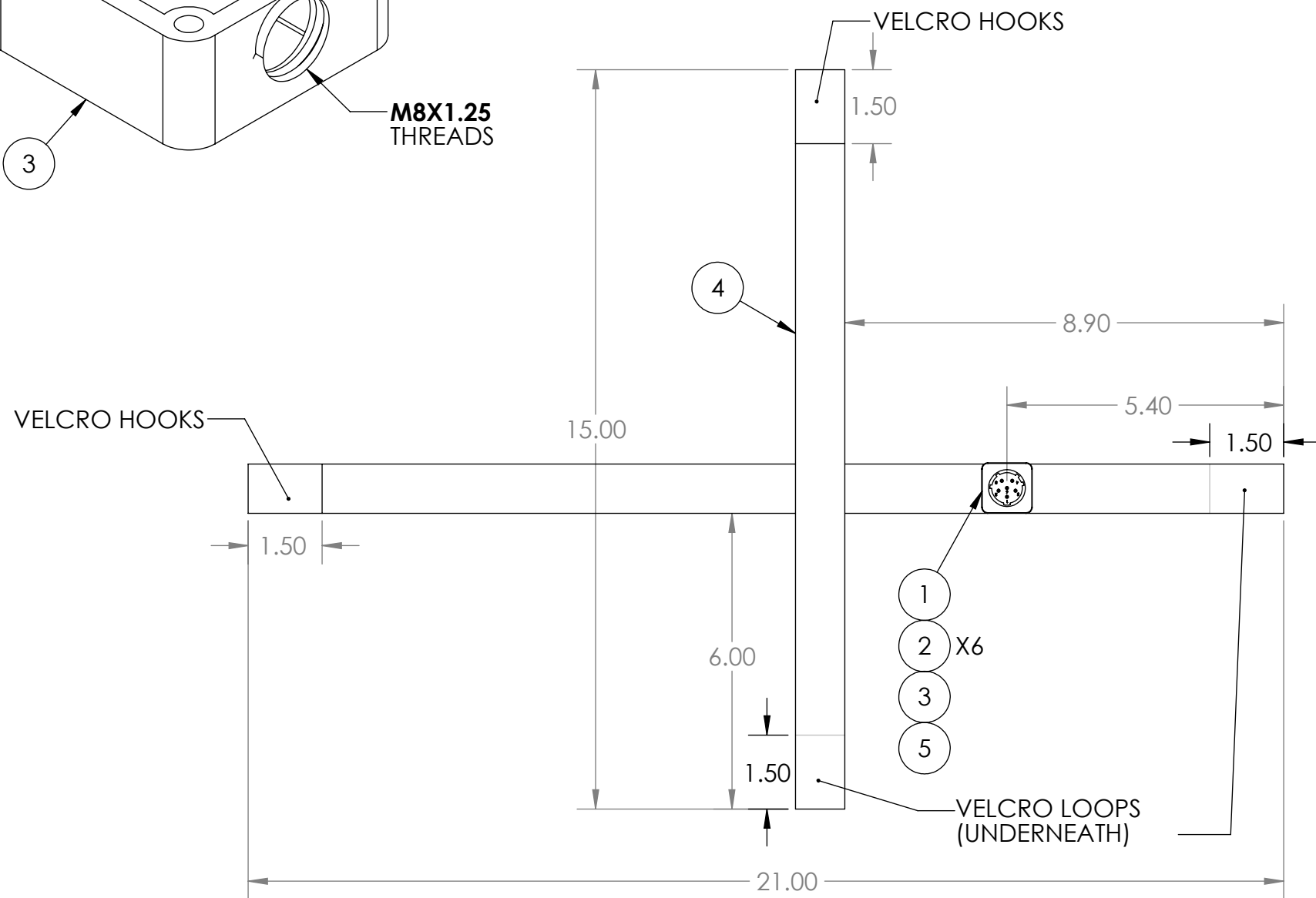
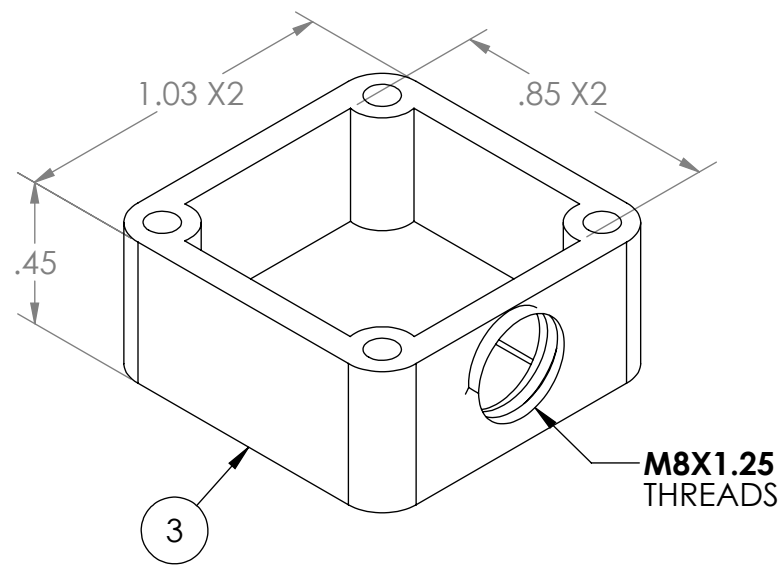
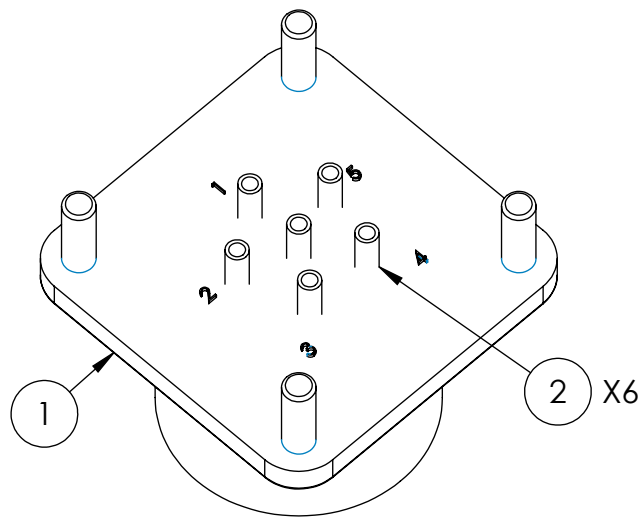


TABLE 1: BILL OF MATERIALS			
ITEM NO.	PART NO	QTY	NAME/DESCRIPTION
1	tba	1	BA5590 Male Plug Housing
2	tba	6	BA5590 Pins
3	tba	1	BA5590 Threaded Backshell
4	tba	1	Velcro Strap
5	tba	1	Rivet

REV	DATE	DESCRIPTION OF CHANGE	ENG
A	03/26/2019	INITIAL RELEASE	LS



UNLESS OTHERWISE SPECIFIED:
 DIMENSIONS ARE IN: INCHES
 TOLERANCES: .XX: ± 0.03
 .XXX: ± 0.005
 ANGULAR: .X°: 1°
 .XX°: 0.5°
 BREAK EDGES: .005 - .020
 FILLETS: .005 - .020
 SURFACE FINISH:
 GEOMETRIC TOLERANCING
 PER: ASME Y14.5 -2009
 MATERIAL: SEE DRAWING NOTES
 FINISH: SEE DRAWING NOTES
 DO NOT SCALE DRAWING

	NAME	DATE
DRAWN	LS	3/26/2019
CHECKED	RB	3/26/2019
COMMENTS:		

REF. NUMBER: SN0634

SupplyNet 706 EXECUTIVE BLVD.
SUITE B
VALLEY COTTAGE, NY 10989

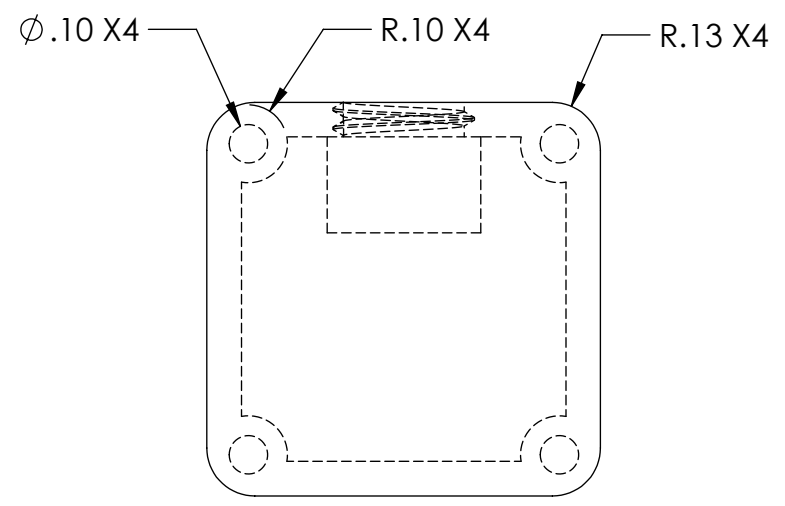
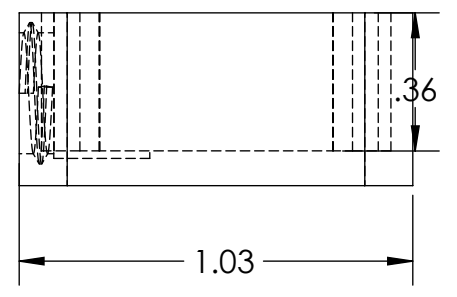
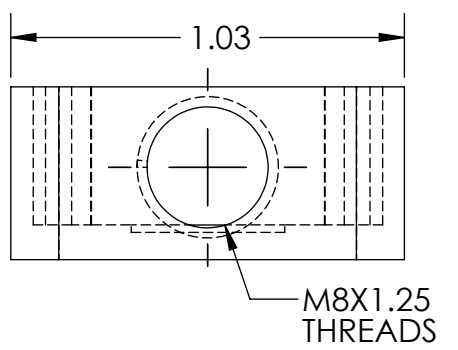
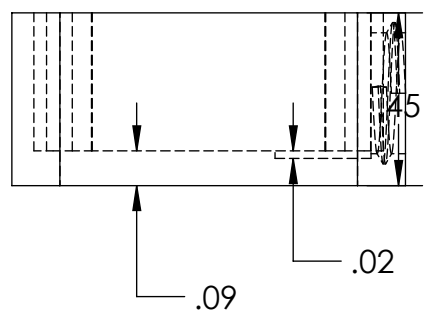
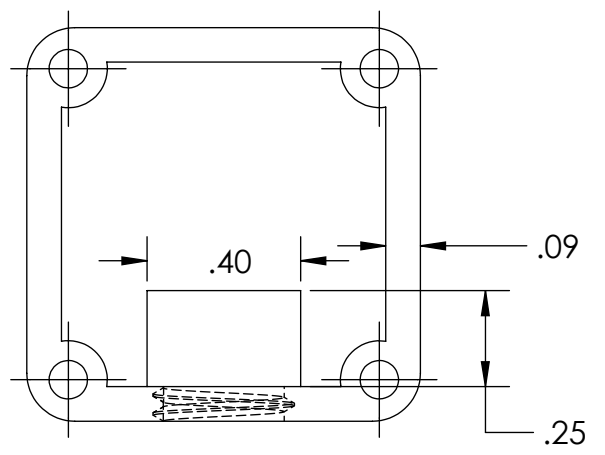
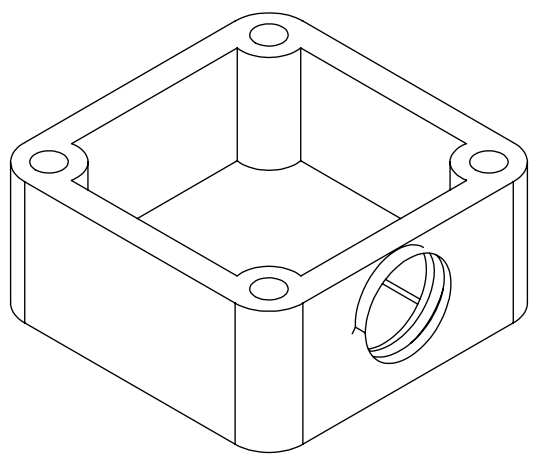
TITLE:
BA5590 MALE CONNECTOR WITH THREADED BACKSHELL AND VELCRO STRAP

SIZE B	DWG. NO. CONN-BA5590-MTV	REV A
SCALE: NA	WEIGHT:	SHEET 1 OF 2

CAGE CODE: 1HJX9

REV	DATE	DESCRIPTION OF CHANGE	ENG
A	03/26/2019	INITIAL RELEASE	LS

ITEM #3



UNLESS OTHERWISE SPECIFIED:
 DIMENSIONS ARE IN: INCHES
 TOLERANCES: .XX: ± 0.03
 .XXX: ± 0.005
 ANGULAR: .X°: 1°
 .XX°: 0.5°
 BREAK EDGES: .005 - .020
 FILLETS: .005 - .020
 SURFACE FINISH:
 GEOMETRIC TOLERANCING
 PER: ASME Y14.5 -2009
 MATERIAL: SEE DRAWING NOTES
 FINISH: SEE DRAWING NOTES
 DO NOT SCALE DRAWING

	NAME	DATE
DRAWN	LS	3/26/2019
CHECKED	RB	3/26/2019
COMMENTS:		

REF. NUMBER: SN0634

SupplyNet 706 EXECUTIVE BLVD.
 SUITE B
 VALLEY COTTAGE, NY 10989

TITLE:
**BA5590 MALE CONNECTOR
 WITH THREADED BACKSHELL
 AND VELCRO STRAP**

SIZE B	DWG. NO. CONN-BA5590-MTV	REV A
------------------	-----------------------------	-----------------

CAGE CODE: 1HJX9 SCALE: NA WEIGHT: SHEET 2 OF 2