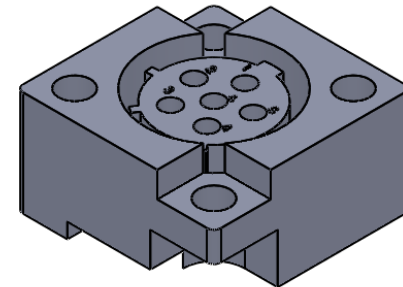
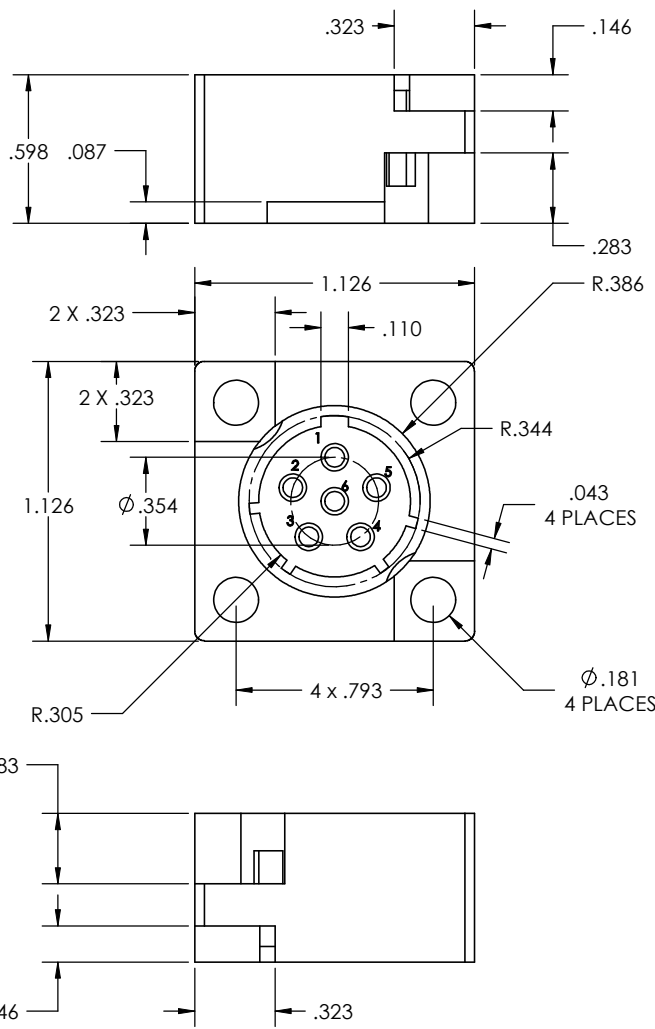


REV	DATE	DESCRIPTION OF CHANGE	ENG
A	10/24/13	REVISED. SEE DCN SNO209-	RJB

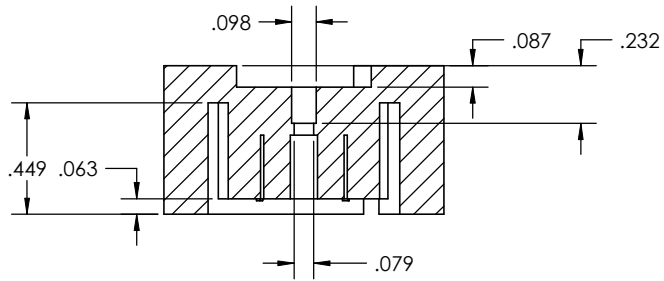


- NOTES:  
 1) MATERIAL: PBT  
 2) PART FURNISHED WITH 6 SOCKET PINS. REFER TO SHEET 3 FOR PIN DETAILS. PINS NOT INSTALLED.  
 3) REFERENCE SUPPLYNET FILE NUMBER SNO209.

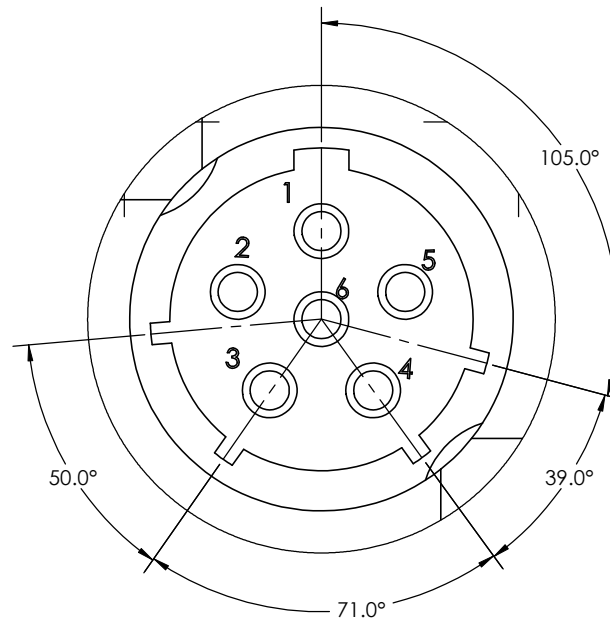
RELEASED: DOCUMENT CONTROLLED PER ER 1003

UNLESS OTHERWISE SPECIFIED:		PART NO: CONN-BA5590-FLP/S	
DIMENSIONS ARE IN: INCHES	DRAWN	NAME	DATE
TOLERANCES: .XX: ± 0.03	RJB	RJB	01/15/13
.XXX: ± 0.005	CHECKED	RJB	01/15/13
ANGULAR: .X*.1*	COMMENTS:		<b>SupplyNet</b> 614 CORPORATE WAY SUITE 8H VALLEY COTTAGE, NY 10989 <b>TITLE: BA-5590 FEMALE LOW PROFILE CONNECTOR. PINS NOT INSTALLED</b>
.XX*.0.5*	<b>PROPRIETARY AND CONFIDENTIAL</b> THE INFORMATION CONTAINED IN THIS DRAWING IS THE SOLE PROPERTY OF SUPPLYNET, INC. ANY REPRODUCTION IN PART OR AS A WHOLE WITHOUT THE WRITTEN PERMISSION OF SUPPLYNET INC. IS PROHIBITED.		
BREAK EDGES: .005 - .020	SIZE		DWG. NO.
FILLET: .005 - .020	B		CONN-BA5590-FLP/S
SURFACE FINISH:	REV		A
GEOMETRIC TOLERANCING PER: ASME Y14.5 - 2009	CAGE CODE: 1HJX9		SCALE: NA WEIGHT: SHEET 1 OF 3
MATERIAL: SEE DRAWING NOTES	DO NOT SCALE DRAWING		
FINISH: SEE DRAWING NOTES			

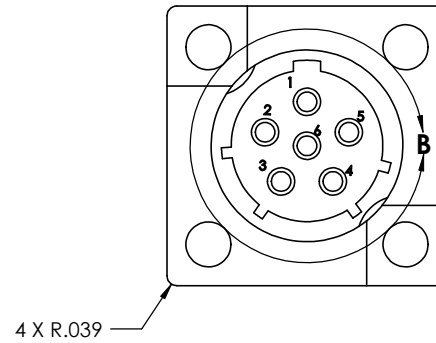
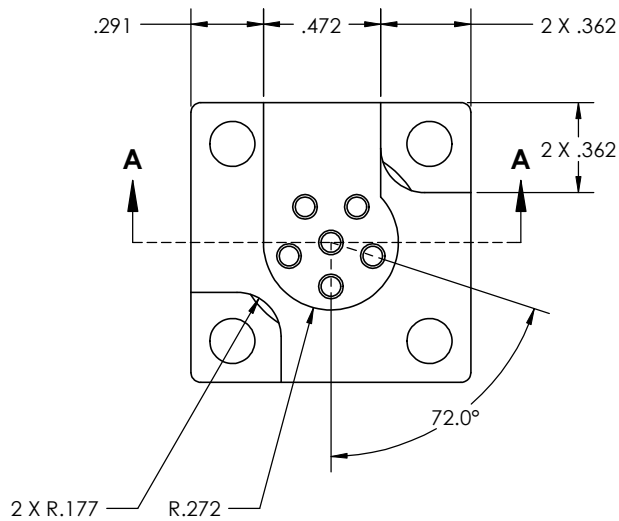
8 7 6 5 4 3 2 1



**SECTION A-A**



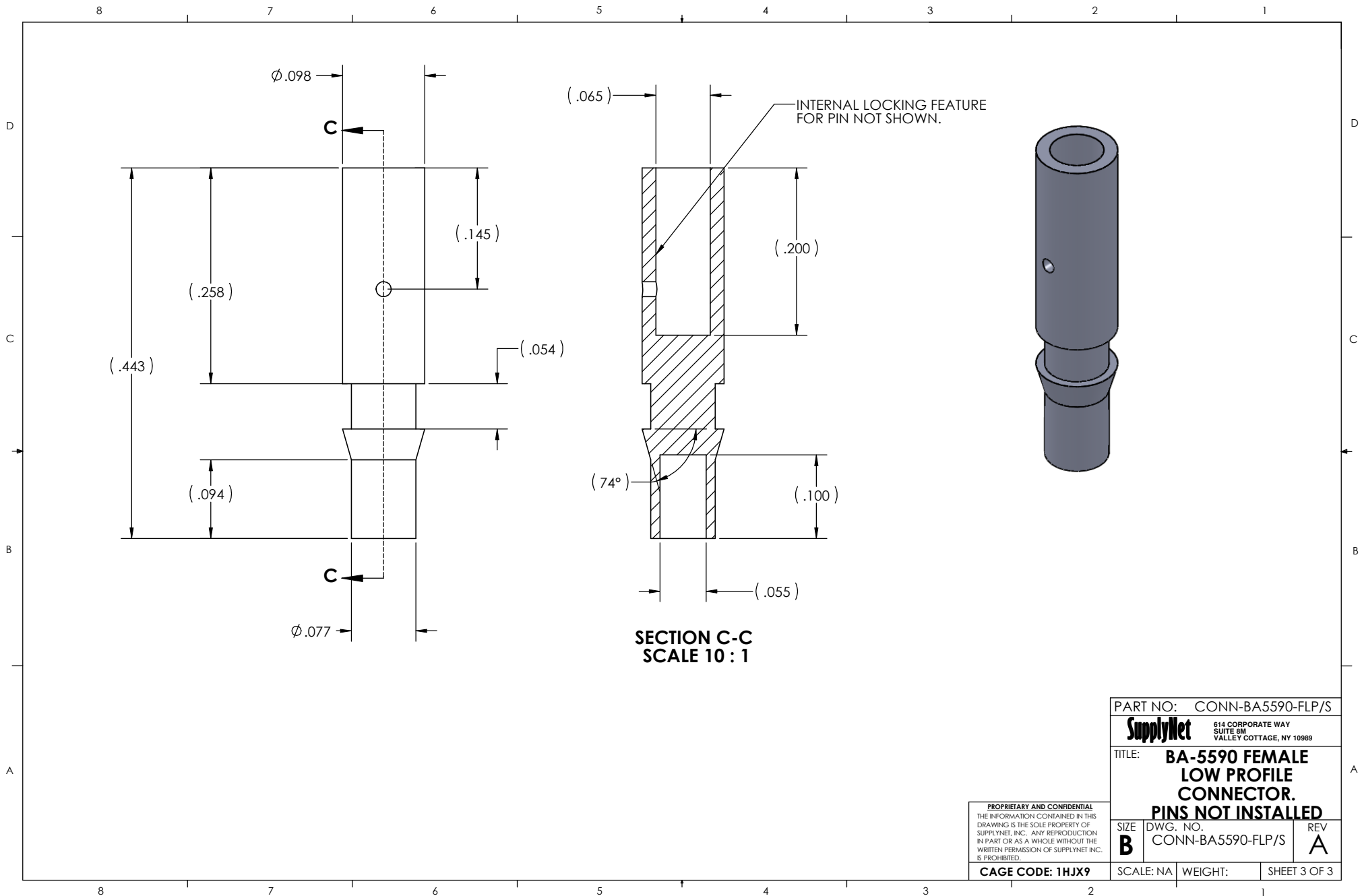
**DETAIL B  
SCALE 4 : 1**



8 7 6 5 4 3 2 1

**PROPRIETARY AND CONFIDENTIAL**  
THE INFORMATION CONTAINED IN THIS DRAWING IS THE SOLE PROPERTY OF SUPPLYNET, INC. ANY REPRODUCTION IN PART OR AS A WHOLE WITHOUT THE WRITTEN PERMISSION OF SUPPLYNET INC. IS PROHIBITED.

PART NO: CONN-BA5590-FLP/S			
<b>SupplyNet</b> 614 CORPORATE WAY SUITE 8M VALLEY COTTAGE, NY 10989			
TITLE: <b>BA-5590 FEMALE LOW PROFILE CONNECTOR. PINS NOT INSTALLED</b>			
SIZE <b>B</b>	DWG. NO. CONN-BA5590-FLP/S	REV <b>A</b>	
CAGE CODE: 1HJX9	SCALE: NA	WEIGHT:	SHEET 2 OF 2



SECTION C-C  
SCALE 10 : 1

**PROPRIETARY AND CONFIDENTIAL**  
THE INFORMATION CONTAINED IN THIS DRAWING IS THE SOLE PROPERTY OF SUPPLYNET, INC. ANY REPRODUCTION IN PART OR AS A WHOLE WITHOUT THE WRITTEN PERMISSION OF SUPPLYNET INC. IS PROHIBITED.

CAGE CODE: 1HJX9	SCALE: NA	WEIGHT:	SHEET 3 OF 3
------------------	-----------	---------	--------------

PART NO: CONN-BA5590-FLP/S	
<b>SupplyNet</b> 614 CORPORATE WAY SUITE 8M VALLEY COTTAGE, NY 10989	
TITLE: <b>BA-5590 FEMALE LOW PROFILE CONNECTOR. PINS NOT INSTALLED</b>	

SIZE <b>B</b>	DWG. NO. CONN-BA5590-FLP/S	REV <b>A</b>
------------------	-------------------------------	-----------------