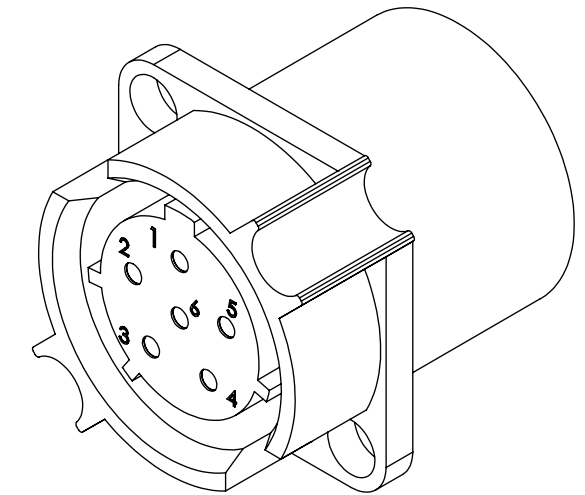
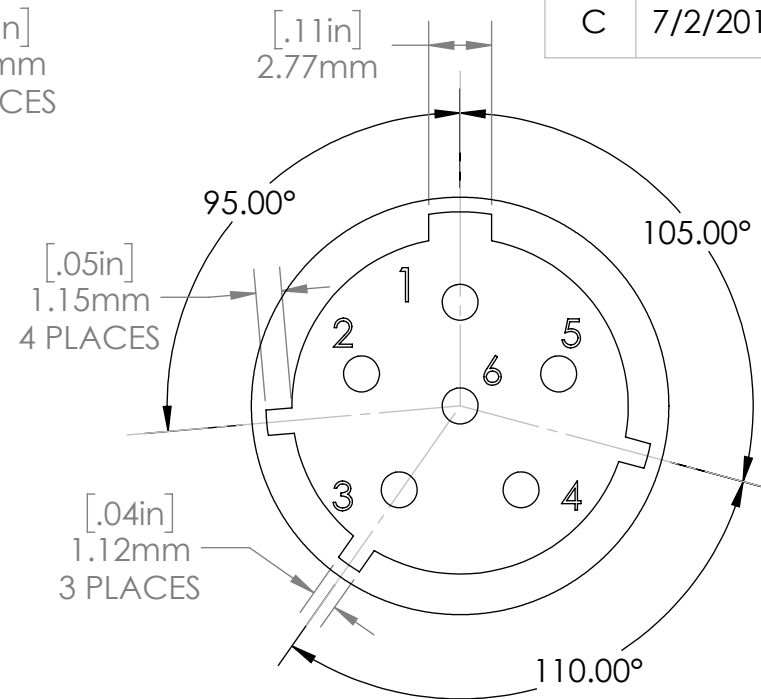
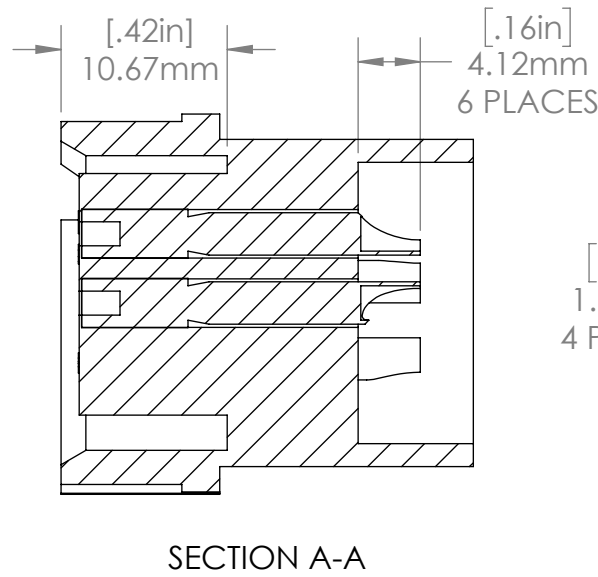
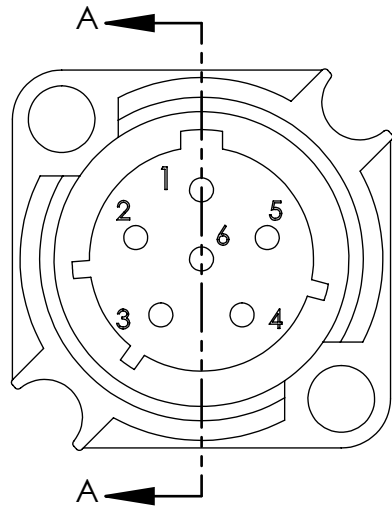
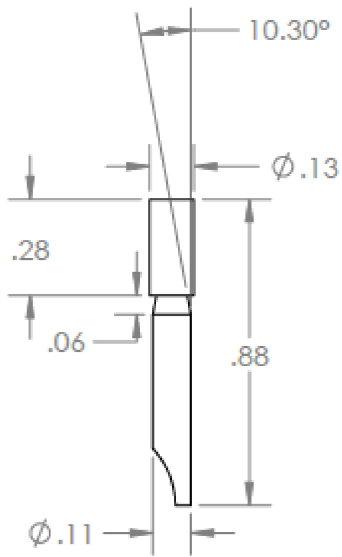
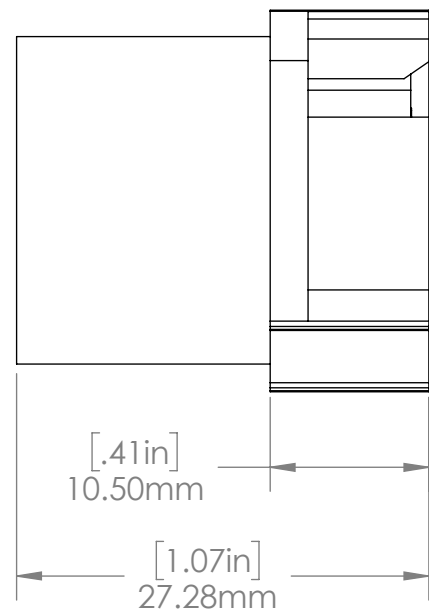


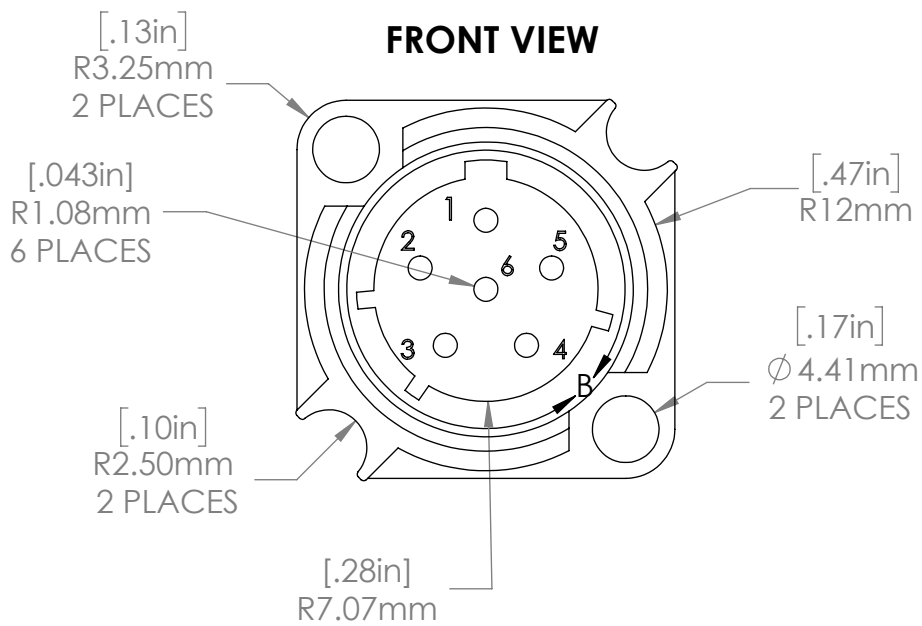
**PIN DIMENSIONS  
(SOLDER CUP, FEMALE)**



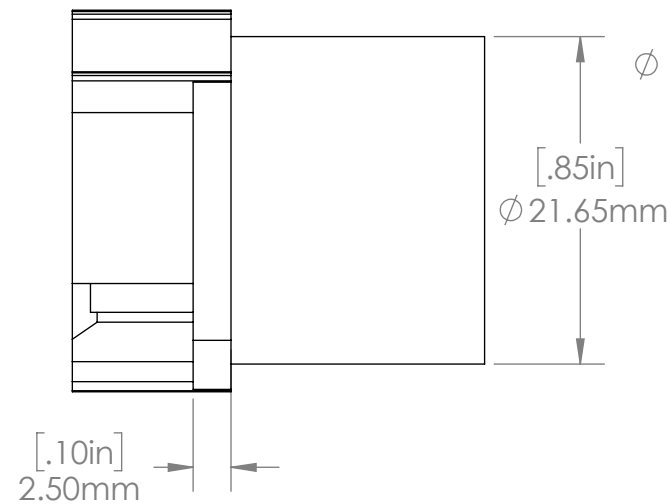
**LEFT SIDE VIEW**



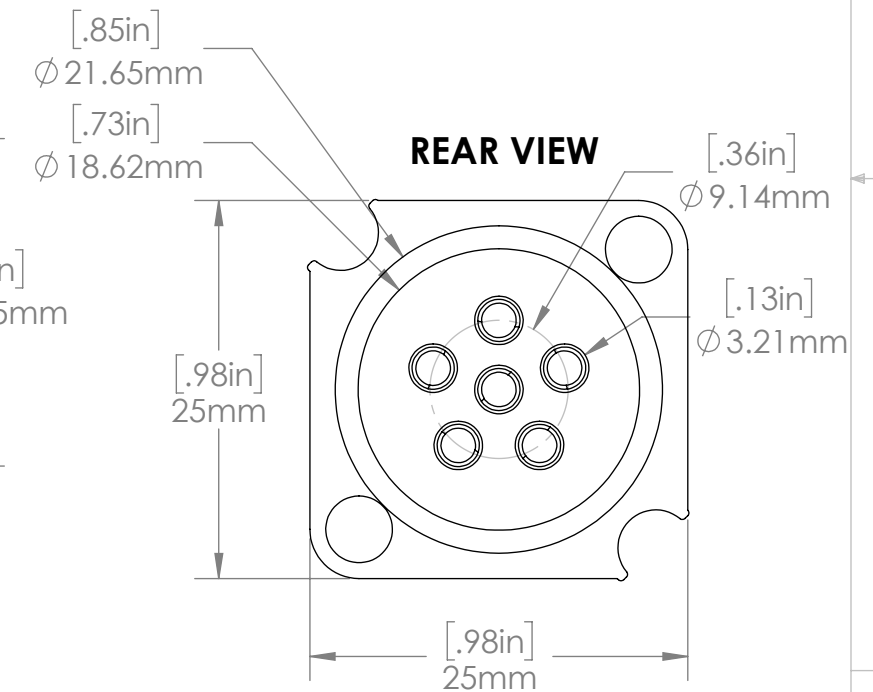
**FRONT VIEW**



**RIGHT SIDE VIEW**



**REAR VIEW**



**NOTES:**

- OPERATIONAL NOTES:
  - MAXIMUM VOLTAGE: 500V
  - MAXIMUM CURRENT: 15A
  - TEMPERATURE RANGE: -55C TO +125C
- MATERIAL: PBT
- PACKAGING: PLACE EACH COMPLETED ASSEMBLY INTO ZIPPER POLY-BAG. PLACE A LABEL ON THE BAG WITH THE FOLLOWING INFORMATION:  
**P/N: CONN-BB2590-FF REV. X** (REV. PER PO)  
**CC: 1HJX9**  
**MFD: MM/YY** (MM = MONTH MANUFACTURED, YY = LAST TWO DIGITS OF YEAR MANUFACTURED)

UNLESS OTHERWISE SPECIFIED:

DIMENSIONS ARE IN: INCHES  
 TOLERANCES: .XX: ± 0.03  
 .XXX: ± 0.005  
 ANGULAR: .X°: ]°  
 .XX°: 0.5°  
 BREAK EDGES: .005 - .020  
 FILLETS: .005 - .020  
 SURFACE FINISH:

GEOMETRIC TOLERANCING  
 PER: ASME Y14.5 -2009

MATERIAL: SEE DRAWING NOTES  
 FINISH: SEE DRAWING NOTES

DO NOT SCALE DRAWING

NAME	DATE
DRAWN LS	12/19/18
CHECKED RB	12/19/18
COMMENTS:	
<b>PROPRIETARY AND CONFIDENTIAL</b> THE INFORMATION CONTAINED IN THIS DRAWING IS THE SOLE PROPERTY OF SUPPLYNET, INC. ANY REPRODUCTION IN PART OR AS A WHOLE WITHOUT THE WRITTEN PERMISSION OF SUPPLYNET INC. IS PROHIBITED.	
CAGE CODE: 1HJX9	

REF. NUMBER: SN0618	
706 EXECUTIVE BLVD. SUITE B VALLEY COTTAGE, NY 10989	
TITLE: <b>CONNECTOR, BB2590 FEMALE</b>	
SIZE <b>B</b>	DWG. NO. <b>CONN-BB2590-FF</b>
SCALE: NA	WEIGHT:
REV <b>C</b>	SHEET 1 OF 1

REV	DATE	DESCRIPTION OF CHANGE	ENG
C	7/2/2019	ADDED PACKAGING INSTRUCTIONS (NOTE #3)	LS