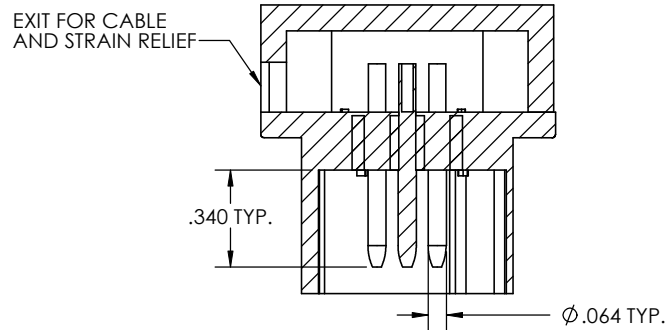
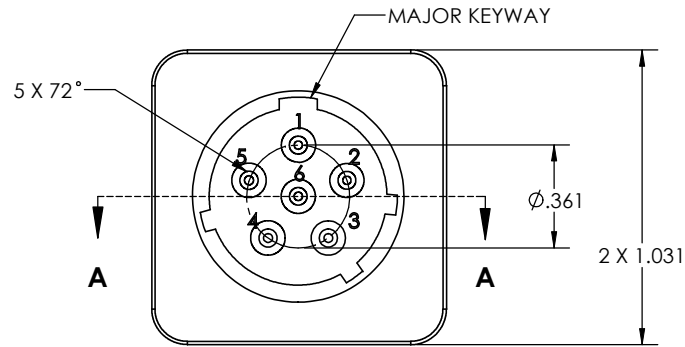
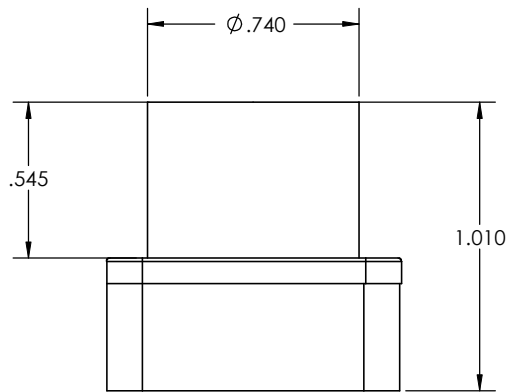
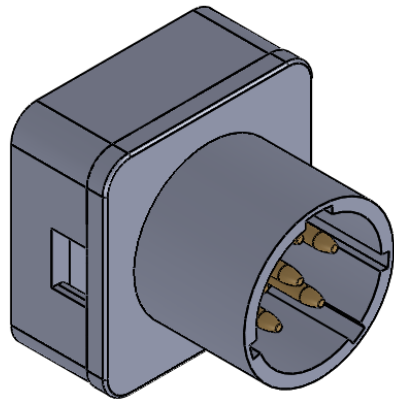


8 7 6 5 4 3 2 1

REV	DATE	DESCRIPTION OF CHANGE	ENG
2	02/21/14	PRELIMINARY	RJB



**SECTION A-A**  
**SCALE 2.3 : 1**

UNLESS OTHERWISE SPECIFIED:		
DIMENSIONS ARE IN: INCHES		
TOLERANCES: .XX: $\pm 0.03$		
.XXX: $\pm 0.005$		
ANGULAR: .X*: 1°		
.XX*: 0.5°		
BREAK EDGES: .005 - .020		
FILLETS: .005 - .020		
SURFACE FINISH:		
GEOMETRIC TOLERANCING PER: ASME Y14.5 - 2009		
MATERIAL: SEE DRAWING NOTES		
FINISH: SEE DRAWING NOTES		
DO NOT SCALE DRAWING		
DRAWN	RJB	XX/XX/XX
CHECKED	RJB	XX/XX/XX
COMMENTS:		
<b>PROPRIETARY AND CONFIDENTIAL</b>		
THE INFORMATION CONTAINED IN THIS DRAWING IS THE SOLE PROPERTY OF SUPPLYNET, INC. ANY REPRODUCTION IN PART OR AS A WHOLE WITHOUT THE WRITTEN PERMISSION OF SUPPLYNET INC. IS PROHIBITED.		
CAGE CODE: 1HJX9	NAME	DATE

PART NUMBER: CONN-BB-2590-M		
614 CORPORATE WAY SUITE 8H VALLEY COTTAGE, NY 10989		
TITLE: BB-2590 MALE CONNECTOR, 4 KEYWAYS.		
SIZE <b>B</b>	DWG. NO. CONN-BB-2590-M	REV <b>2</b>
SCALE: NA	WEIGHT:	SHEET 1 OF 1

8 7 6 5 4 3 2 1