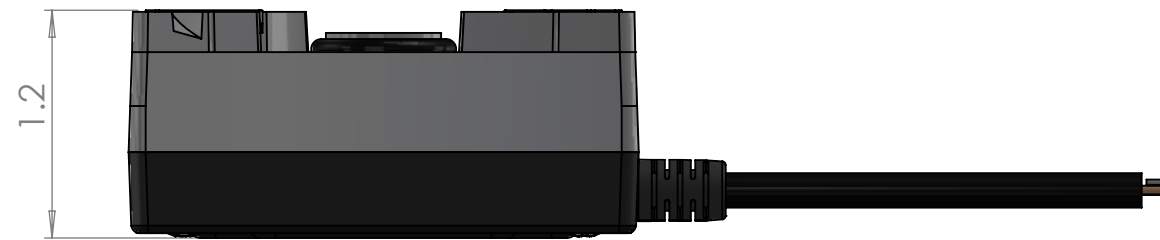
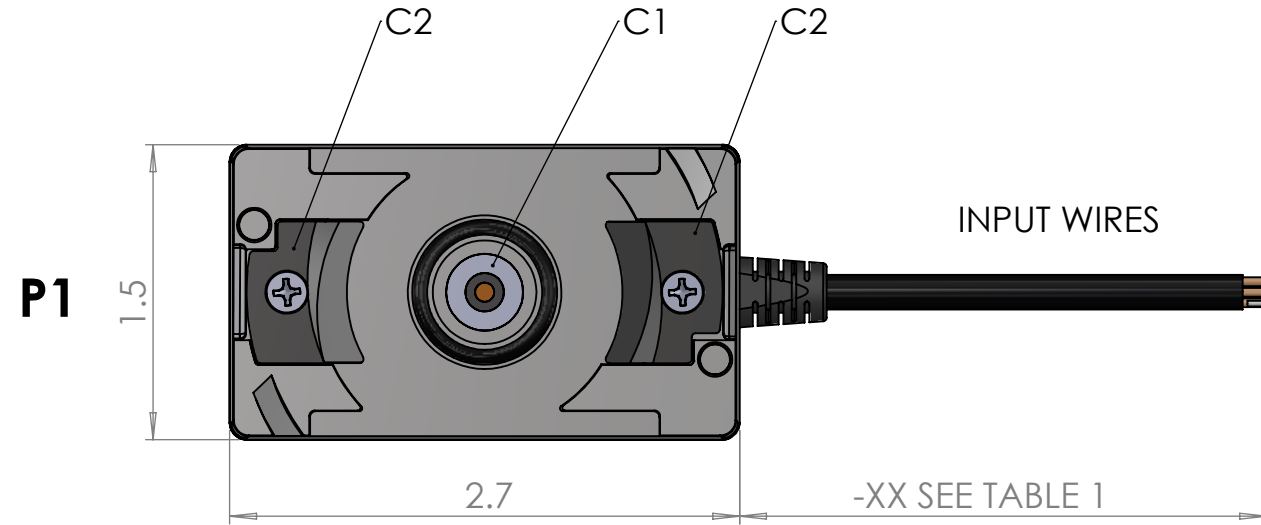


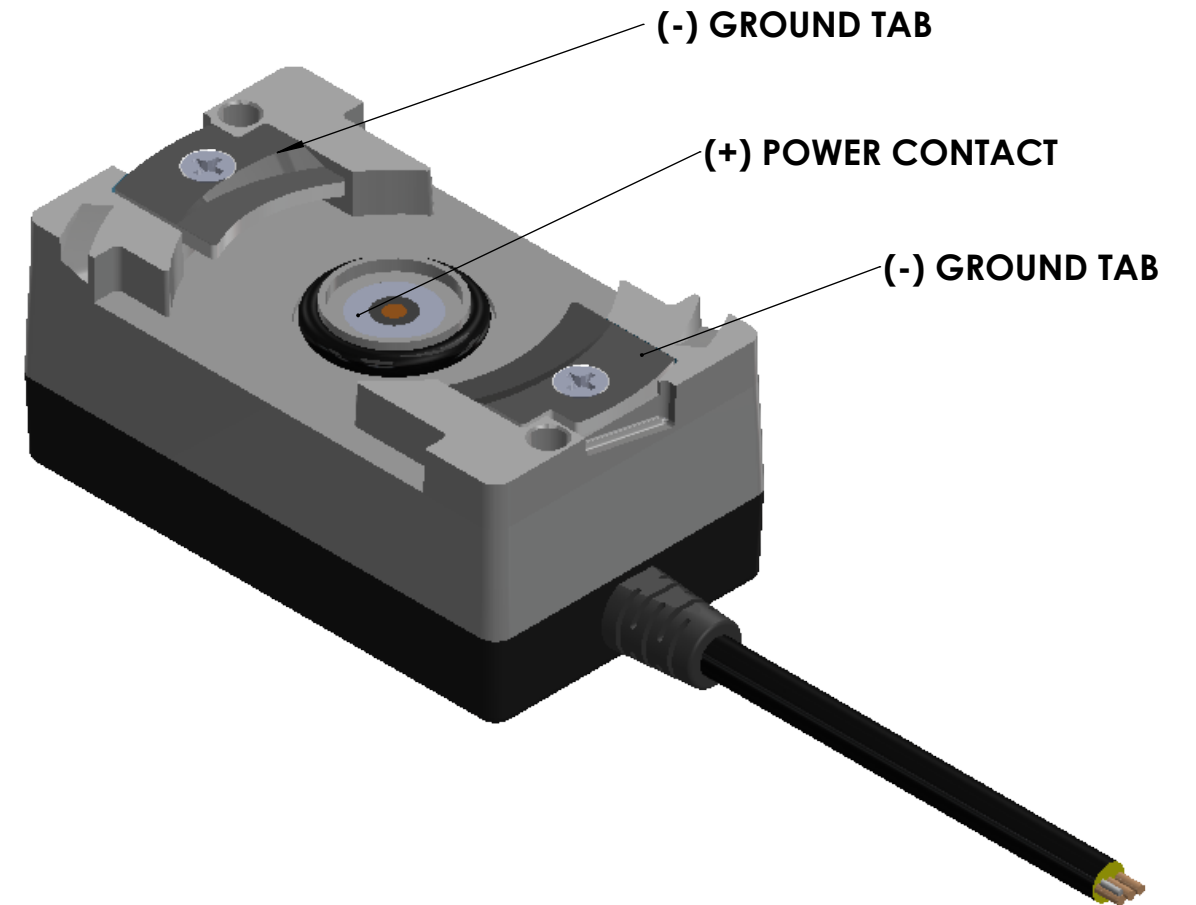
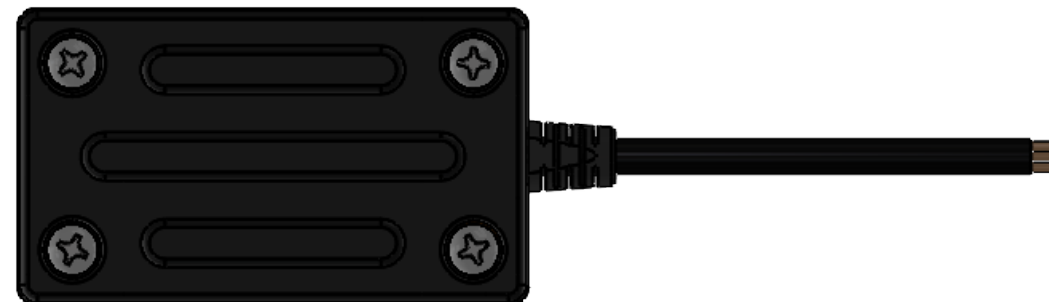
TABLE 1: WIRING		
P1 (CONTACT POINT)	WIRE COLORS	INPUT
C1 (+ 12VDC) OUT	RED	(+) VDC
C1 (-) OUT	BLACK	(-) VDC
N/A	WHITE	NOT CONNECTED

TABLE 1: WIRE LENGTH CHART		
PART NUMBER & PART MARKING	"-XX" DIMENSION (INCHES)	TOLERANCE (INCHES)
CONN-PRC163-01	12	+1.0", -0.0"
CONN-PRC163-02	24	+2.0", -0.0"
CONN-PRC163-03	36	+4.0", -0.0"
CONN-PRC163-06	72	+8.0", -0.0"
CONN-PRC163-08	96	+8.0", -0.0"

REV	DATE	DESCRIPTION OF CHANGE	ENG
B	11/19/2020	UPDATED MODEL	TC



BOTH TOP AND BOTTOM ARE BLACK SHOWN IN GREY FOR CLARITY



UNLESS OTHERWISE SPECIFIED:	NAME	DATE
DIMENSIONS ARE IN: INCHES	DRAWN	TC 6/24/19
TOLERANCES: .XX: ± 0.03	CHECKED	RB 6/24/19
.XXX: ± 0.005	COMMENTS:	
ANGULAR: .X*: 1°		
.XX*: 0.5°		
BREAK EDGES: .005 - .020		
FILLETS: .005 - .020		
SURFACE FINISH:		
GEOMETRIC TOLERANCING PER: ASME Y14.5 -2009	PROPRIETARY AND CONFIDENTIAL	
MATERIAL: SEE DRAWING NOTES	THE INFORMATION CONTAINED IN THIS DRAWING IS THE SOLE PROPERTY OF SUPPLYNET, INC. ANY REPRODUCTION IN PART OR AS A WHOLE WITHOUT THE WRITTEN PERMISSION OF SUPPLYNET INC. IS PROHIBITED.	
FINISH: SEE DRAWING NOTES		
DO NOT SCALE DRAWING	CAGE CODE: 1HJX9	

REF. NUMBER: SN0609

SupplyNet 706 EXECUTIVE BLVD.
SUITE B
VALLEY COTTAGE, NY 10989

TITLE: **PRC-163 REGULATED 12VDC OUTPUT CABEL**

SIZE	DWG. NO.	REV
B	CONN-PRC163R-XX	B
SCALE: NA	WEIGHT:	SHEET 1 OF 1