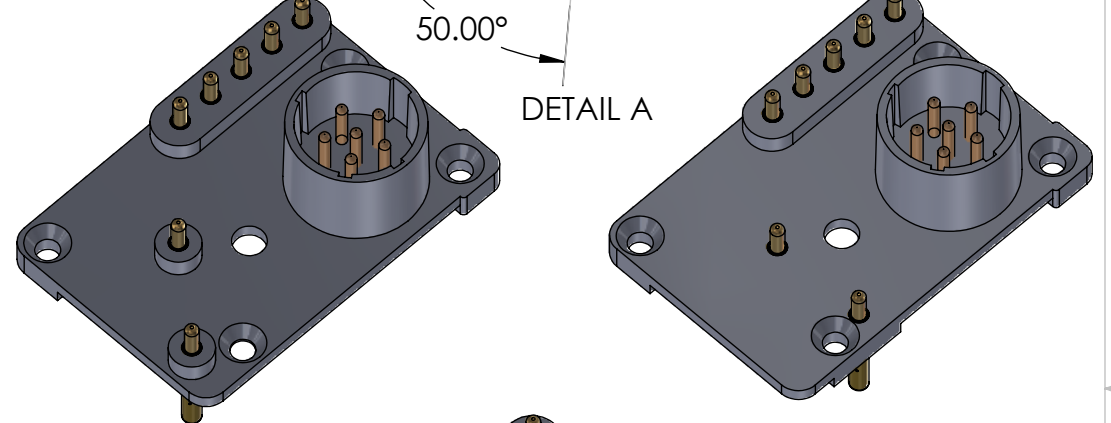
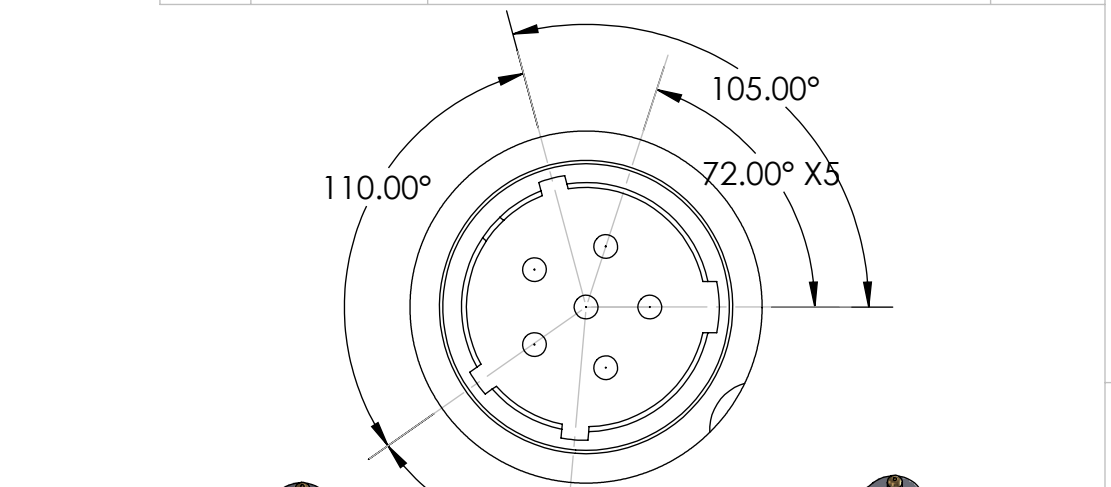
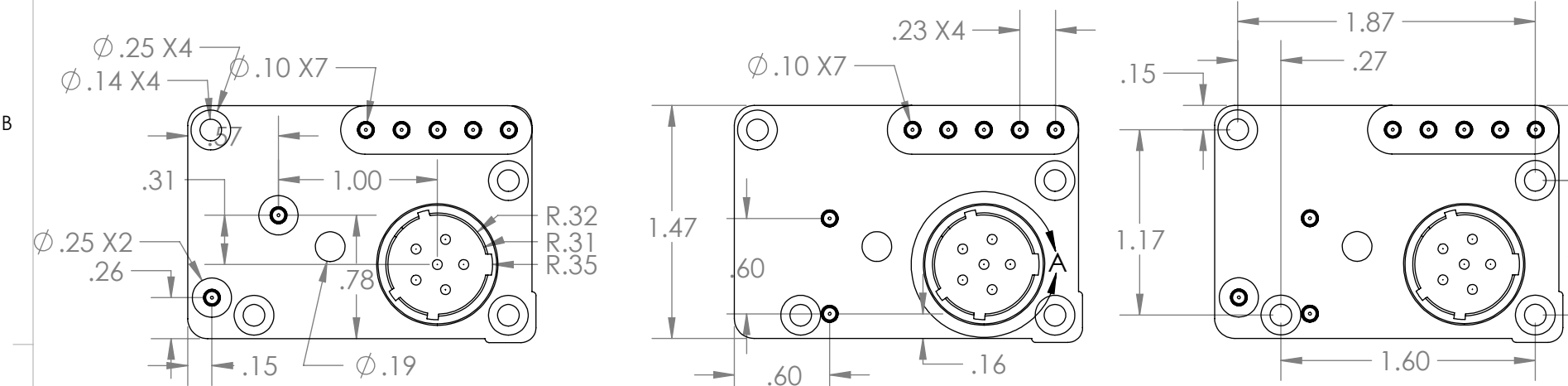
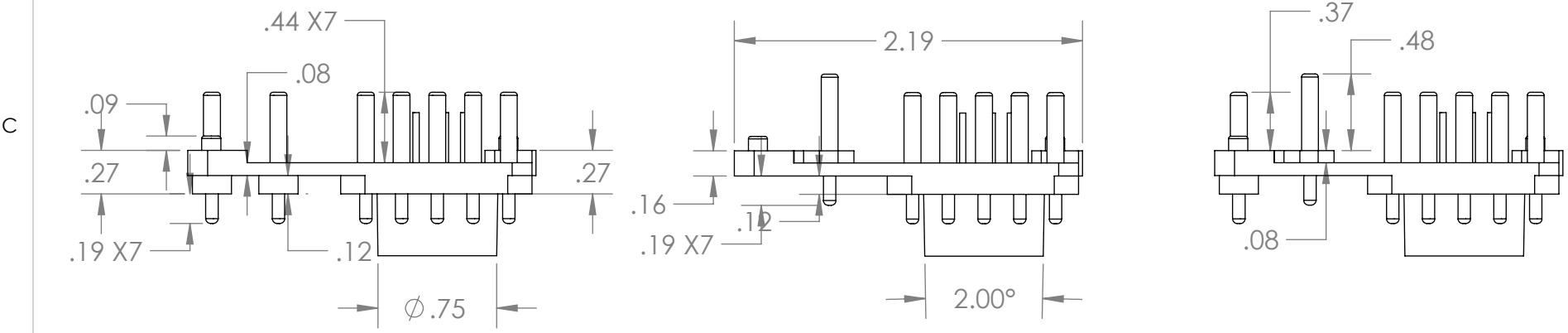
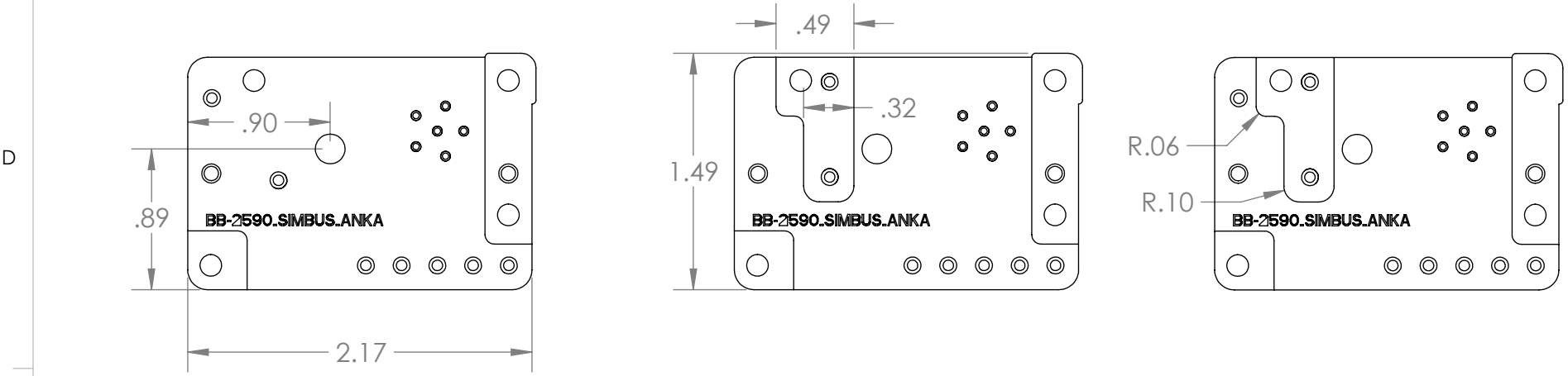
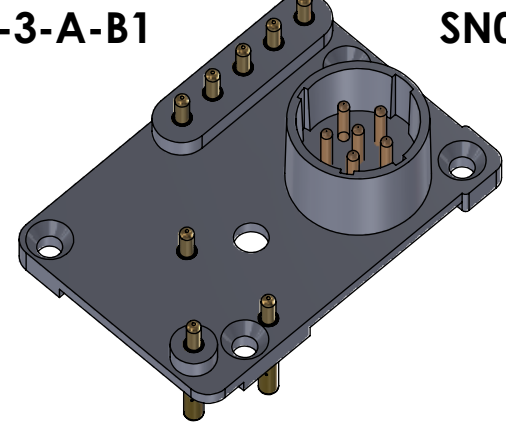


REV	DATE	DESCRIPTION OF CHANGE	ENG
1	07/25/2019	INITIAL RELEASE	LS



SN0019-3-A-B1

SN0019-3-A-B2



SN0019-3-A-B3

SN0019-3-A-B1

SN0019-3-A-B2

SN0019-3-A-B3

TABLE 1: PART NUMBER KEY	
PART NUMBER	DESCRIPTION
SN0019-3-A-B1	2 BOSSES ON FRONT FACE, STATE OF CHARGE DETECT PIN
SN0019-3-A-B2	BOSS ON BACK OF CONNECTOR, NO STATE OF CHARGE DETECT PIN
SN0019-3-A-B3	1 BOSS ON FRONT FACE, BOSS ON BACK, STATE OF CHARGE DETECT PIN

UNLESS OTHERWISE SPECIFIED:
 DIMENSIONS ARE IN: INCHES
 TOLERANCES: .XX: ± 0.03
 .XXX: ± 0.005
 ANGULAR: .X°: 1°
 .XX°: 0.5°
 BREAK EDGES: .005 - .020
 FILLETS: .005 - .020
 SURFACE FINISH:
 GEOMETRIC TOLERANCING
 PER: ASME Y14.5 -2009
 MATERIAL: SEE DRAWING NOTES
 FINISH: SEE DRAWING NOTES
 DO NOT SCALE DRAWING

NAME	DATE
DRAWN LS	7/25/19
CHECKED RB	7/25/19
COMMENTS:	
PROPRIETARY AND CONFIDENTIAL THE INFORMATION CONTAINED IN THIS DRAWING IS THE SOLE PROPERTY OF SUPPLYNET, INC. ANY REPRODUCTION IN PART OR AS A WHOLE WITHOUT THE WRITTEN PERMISSION OF SUPPLYNET INC. IS PROHIBITED.	
CAGE CODE: 1HJX9	

REF. NUMBER: SN0659	706 EXECUTIVE BLVD. SUITE B VALLEY COTTAGE, NY 10989	
BB-2590/BB-390 CONNECTOR WITH SMBUS		
SIZE B	DWG. NO. SN0019-3-A-XX	REV 1
SCALE: NA	WEIGHT:	SHEET 1 OF 1