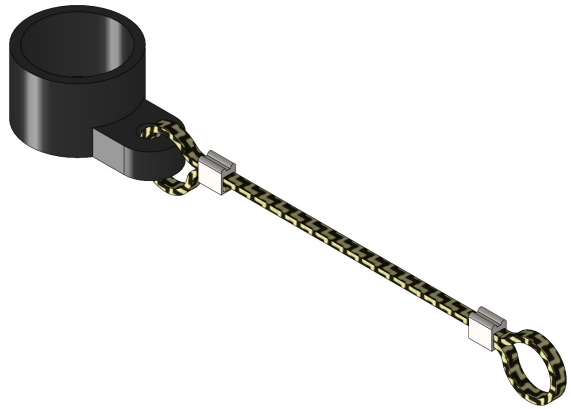
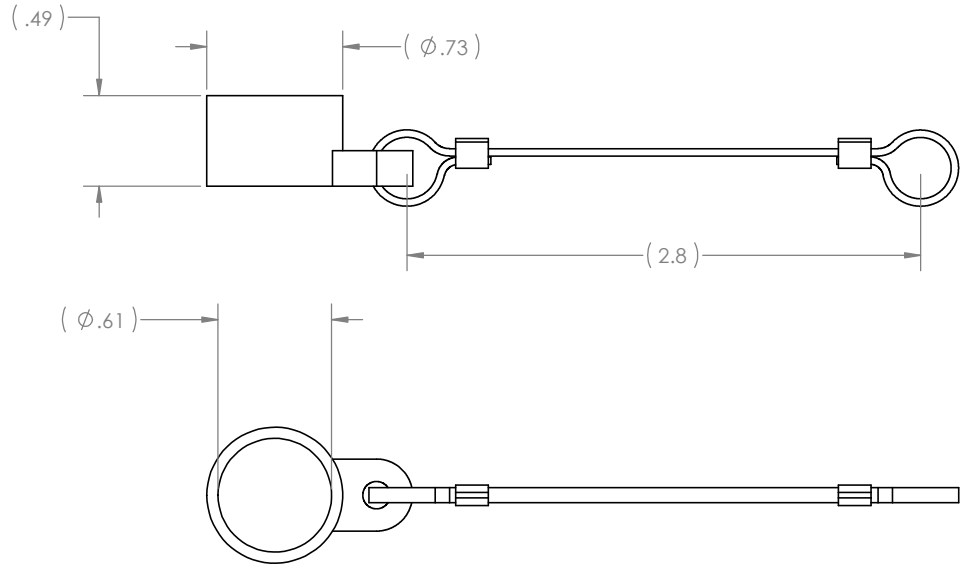



8 7 6 5 4

3 2 1

REVISIONS			
REV.	DESCRIPTION	DATE	ENG
A	Released. See DCN SN0040-	01/31/2013	RJB
B	Redrawn with change: Updated Format	11/21/2022	KC



- NOTES:
 1. SUPPLIER PART NUMBER: U-283 / U-DC.
 2. MATERIALS:
 CAP: NEOPRENE RUBBER PER MIL-R-3065
 STRAP: NYLON PER MIL-C-4715 TYPE 14.

UNLESS OTHERWISE SPECIFIED:		NAME		DATE		PART NUMBER: SN0040-1	
DIMENSIONS ARE IN: INCHES		DRAWN	RJB	01/30/13		 814 CORPORATE WAY SUITE 89 VALLEY COTTAGE, NY 10989	
TOLERANCES: .XX: ± 0.03 .XXX: ± 0.005		CHECKED	RJB	10-30/13			
ANGULAR: .X*.1* .XX*.0.5*		COMMENTS:		TITLE:		DUST CAP	
BREAK EDGES: .005 - .020 FILLETS: .005 - .020 SURFACE FINISH:		<p style="text-align: center;">PROPRIETARY AND CONFIDENTIAL</p> THE INFORMATION CONTAINED IN THIS DRAWING IS THE SOLE PROPERTY OF SUPPLYNET, INC. ANY REPRODUCTION IN PART OR AS A WHOLE WITHOUT THE WRITTEN PERMISSION OF SUPPLYNET INC. IS PROHIBITED.		SIZE	DWG. NO.		
GEOMETRIC TOLERANCING PER: ASME Y14.5-2009		CAGE CODE: 1HJX9		SCALE: NA		WEIGHT:	
MATERIAL: SEE DRAWING NOTES		DO NOT SCALE DRAWING		SHEET 1 OF 1		B SN0040-1 -	
FINISH: SEE DRAWING NOTES							

8 7 6 5 4

3 2 1