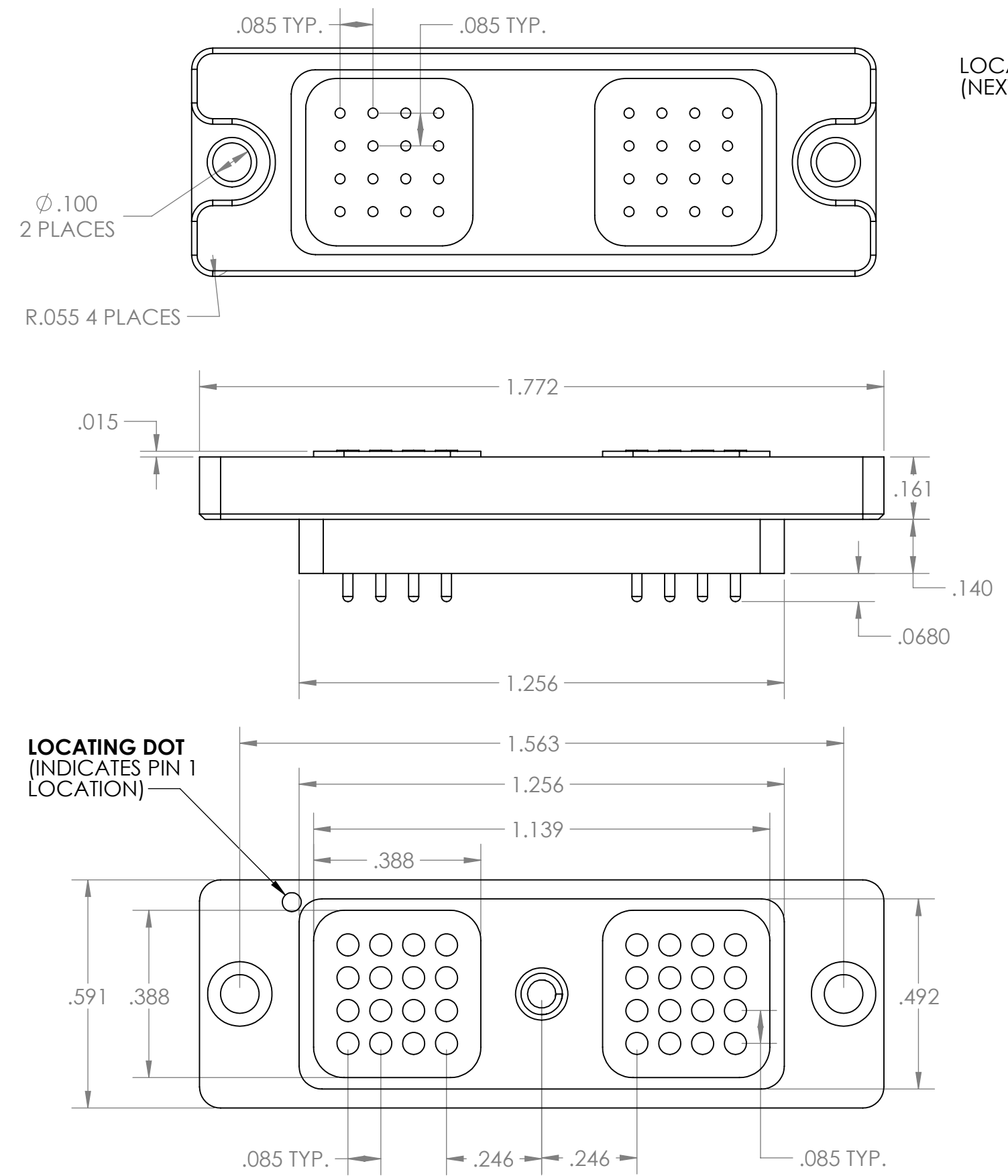
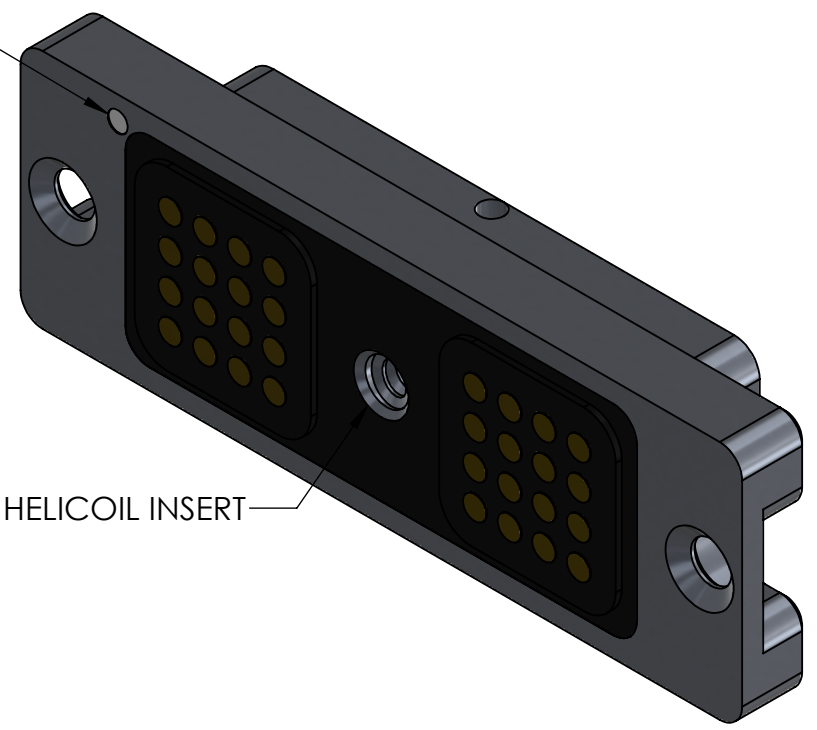


REV	DATE	DESCRIPTION OF CHANGE	ENG
B	5/29/20	ADDED CONECTOR DETAILS	TC



LOCATING DOT
(NEXT TO PIN #1)



#6-32 HELICOIL INSERT

SPECIFICATIONS	
MATERIAL FINISH	
HOUSING	ALUMINUM ALLOY PER UNS A96061 TEMPER T6 (6061-T6)
	PLATED WITH MATT ELECTROLESS NICKEL CLASS 4, GRADE B (.0005/.00075 IN. THK) PER MIL -C 26074.
INSULATOR	NON CONDUCTIVE PLASTIC, COLOR BLACK
GASKET	SILICONE, RED
ELECTRICAL PROPERTIES	
VOLTAGE	100 VDC MAX @ 125C
AMPERAGE	5A MAX
ALL PINS FILTERED EXCEPT 1,2,3,4,5,6,25,26,28	CAPACITOR VALUE:2000PF
PIN 8 IS TIED TO CHASSIS SHELL	CHASSIS GROUND
MIL-STD	
OPERATING TEMPERATURE	-55C TO 85C
AIR PRESSURE	2.8 PSI LEAK TEST FOR 30 MINUTES, BOTH DIRECTIONS
SAND AND DUST	MIL-STD-810E,METHOD 510.3
FUNGUS	MIL-STD-810E,METHOD 508.4 FOR 28 DAYS
SALT FOG	MIL-STD-810E,METHOD 5109.1

LOCATING DOT
(INDICATES PIN 1
LOCATION)

UNLESS OTHERWISE SPECIFIED:
DIMENSIONS ARE IN: INCHES
TOLERANCES: .XX: ± 0.03
.XXX: ± 0.005
ANGULAR: .X°: 1°
.XX°: 0.5°
BREAK EDGES: .005 - .020
FILLETS: .005 - .020
SURFACE FINISH:
GEOMETRIC TOLERANCING
PER: ASME Y14.5-2009
MATERIAL: SEE DRAWING NOTES
FINISH: SEE DRAWING NOTES
DO NOT SCALE DRAWING

	NAME	DATE
DRAWN	LS	4/16/2019
CHECKED	RB	4/16/2019
COMMENTS:		

REF. NUMBER: SN0598

SupplyNet 706 EXECUTIVE BLVD.
SUITE B
VALLEY COTTAGE, NY 10989

TITLE:
**32 PIN RAPIDMATE
CONNECTOR, RECTANGULAR,
PIN 8 TIED TO SHELL**

SIZE B	DWG. NO. SN-12041-5225-01	REV B
------------------	-------------------------------------	-----------------

CAGE CODE: 1HJX9 SCALE: NA WEIGHT: SHEET 1 OF 1