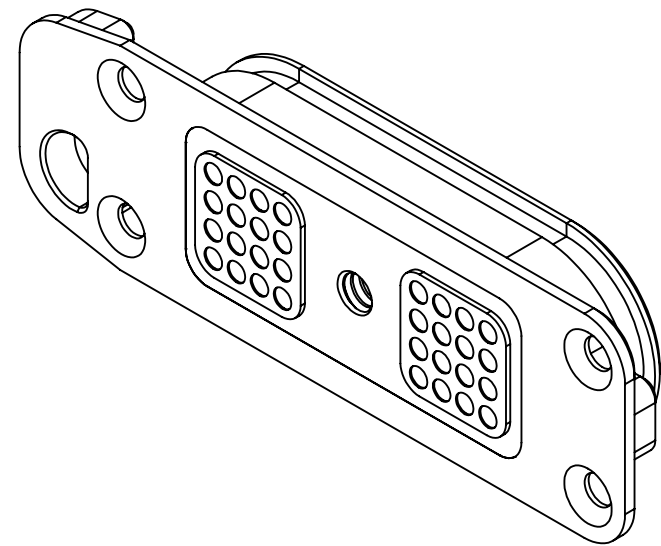
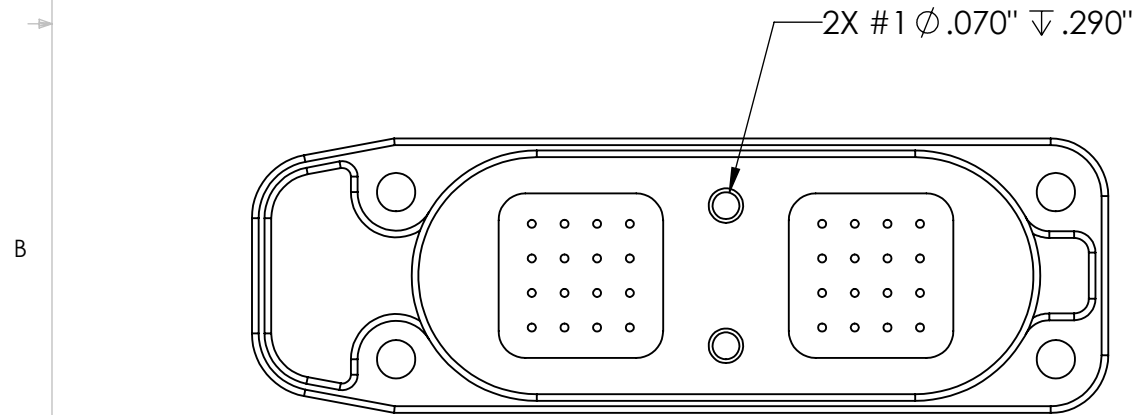
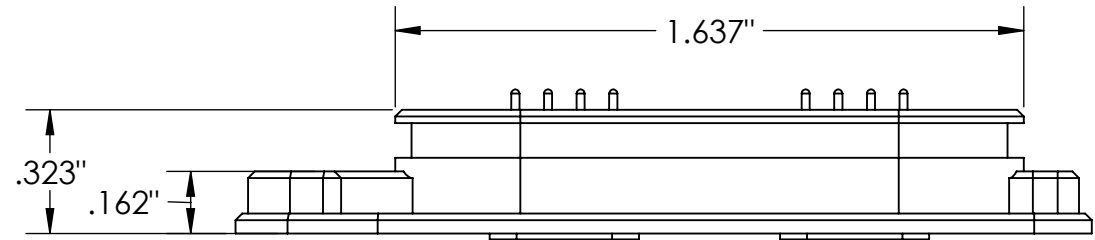
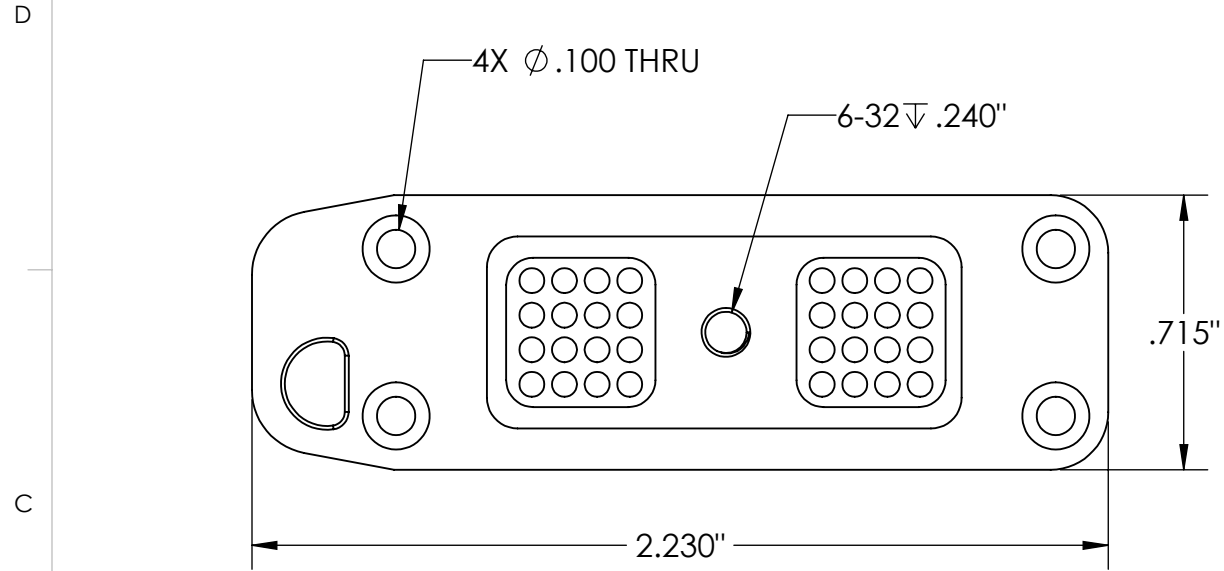


8 7 6 5 4 3 2 1

REVISIONS			
REV.	DESCRIPTION	DATE	ENG
A	INITIAL RELEASE	1/24/2020	MOB



A

UNLESS OTHERWISE SPECIFIED:
 DIMENSIONS ARE IN: INCHES
 TOLERANCES: .XX: \pm 0.03
 .XXX: \pm 0.005
 ANGULAR: .X $^{\circ}$: 1 $^{\circ}$
 .XX $^{\circ}$: 0.5 $^{\circ}$
 BREAK EDGES: .005 - .020
 FILLETS: .005 - .020
 SURFACE FINISH:
 GEOMETRIC TOLERANCING
 PER: ASME Y14.5 -2009
 MATERIAL: SEE DRAWING NOTES
 FINISH: SEE DRAWING NOTES
 DO NOT SCALE DRAWING

	NAME	DATE
DRAWN	MOB	1/24/2020
CHECKED	RB	1/24/2020
COMMENTS:		
PROPRIETARY AND CONFIDENTIAL THE INFORMATION CONTAINED IN THIS DRAWING IS THE SOLE PROPERTY OF SUPPLYNET, INC. ANY REPRODUCTION IN PART OR AS A WHOLE WITHOUT THE WRITTEN PERMISSION OF SUPPLYNET INC. IS PROHIBITED.		
CAGE CODE: 1HJX9		

REF. NUMBER: SN0628		
706 EXECUTIVE BLVD. SUITE 8 VALLEY COTTAGE, NY 10989		
TITLE: AN/PRC-152, AN/PRC-158 RAPIDMATE CONNECTOR RADIO SIDE		
SIZE	DWG. NO.	REV
B	SN-12167-2525-01	A
SCALE: NA	WEIGHT:	SHEET 1 OF 1

8 7 6 5 4 3 2 1