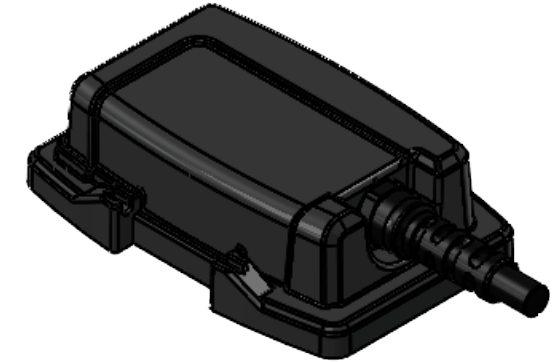
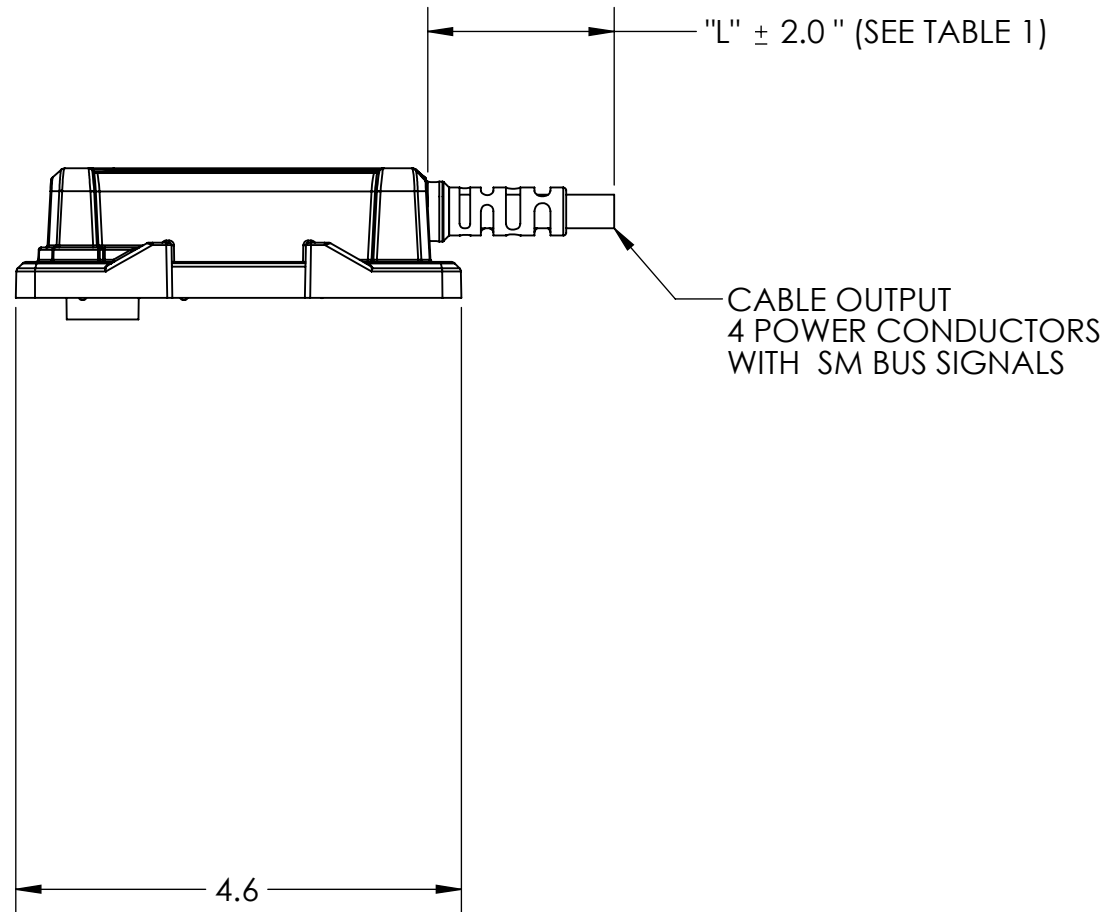
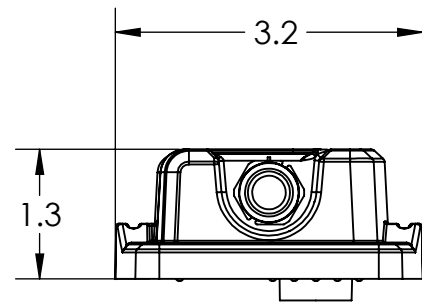


PART NUMBER DESCRIPTION

SN-404-24-XX

= "L" CABLE LENGTH IN FEET.
REF. TABLE 1 OR 2.



REV	DATE	DESCRIPTION OF CHANGE	ENG
B	1/13/2021	ADDED PCB PINOUT TO PG.3	MOB

TABLE 2 (24VDC OUTPUT)	
PART NUMBER & PART MARKING	"L" DIMENSION (INCHES)
SN-404-24-03	36
SN-404-24-06	72
SN-404-24-08	96
SN-404-24-10	120
SN-404-24-12	144
SN-404-24-18	216
SN-404-24-20	240
SN-404-24-25	300
SN-404-24-30	360

NOTES:

- CABLE LENGTH PER PART NUMBER DESCRIPTION. SEE TABLE 1
- ELECTRICAL: ASSEMBLY SHALL 100% TESTED FOR CONTINUITY, SHORTS AND INSULATION RESISTANCE (100 MEGOHMS)
- PIN TO PIN RESISTANCE SHALL NOT EXCEED 2.0 OHMS.
- WIRE FUNCTION: SEE TABLE 3.
- SOLDERING: IAW IPC-J-STD-001 CLASS II AS APPLICABLE.
- IDENTIFICATION: PLACE PART IN PLASTIC BAG AND LABEL BAG WITH THE FOLLOWING INFORMATION:
PN: SN-404-24-XX REV X (REV MARKING PER PO & PN PER DESCRIPTION)
CAGE CODE: 1HJX9
DATE OF MFG: MM/YY

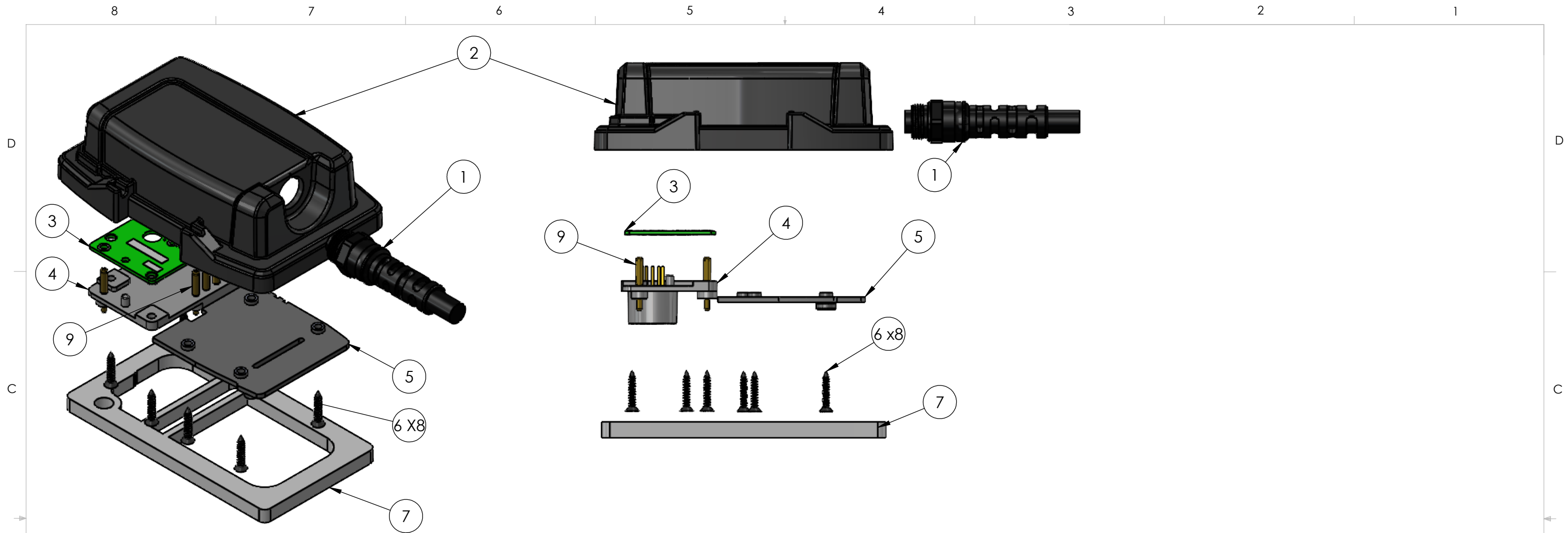
UNLESS OTHERWISE SPECIFIED:		NAME	DATE
DIMENSIONS ARE IN: INCHES		DRAWN	TC 3/10/16
TOLERANCES: .XX: ± 0.03		CHECKED	RJB 3/10/16
.XXX: ± 0.005		COMMENTS:	
ANGULAR: .X°: 1°		PROPRIETARY AND CONFIDENTIAL	
.XX°: 0.5°		THE INFORMATION CONTAINED IN THIS DRAWING IS THE SOLE PROPERTY OF SUPPLYNET, INC. ANY REPRODUCTION IN PART OR AS A WHOLE WITHOUT THE WRITTEN PERMISSION OF SUPPLYNET INC. IS PROHIBITED.	
BREAK EDGES: .005 - .020		CAGE CODE: 1HJX9	
FILLETS: .005 - .020		SCALE: NA WEIGHT: SHEET 1 OF 3	
SURFACE FINISH:			
GEOMETRIC TOLERANCING PER: ASME Y14.5 -2009			
MATERIAL: SEE DRAWING NOTES			
FINISH: SEE DRAWING NOTES			
DO NOT SCALE DRAWING			

REF. NUMBER: SNO405

SupplyNet 706 EXECUTIVE BLVD.
SUITE B
VALLEY COTTAGE, NY 10989

TITLE:
BB2590 WATER TIGHT BATTERY COVER W/ SMBUS OUT 24V

SIZE	DWG. NO.	REV
B	SN-404-24-XX	B



BILL OF MATERIALS.				
ITEM NUMBER	PART NUMBER	QTY	NAME	COMMENTS
1	SN-404-10C	1	GROMMET / STRAIN RELIEF	9/16-24 Threaded
2	SN0132-T	1	BATTERY COVER	9/16-24 Threaded Hole
3	SN0008-1	1	PCB	
4	SN0117-3-A	1	CONNECTOR	4 KEYWAY, N PIN LENGTH
5	SN0133-1	1	SPACER PLATE	
6	SN0012	8	FLAT HEAD 5/8" SCREW	5/8" SCREW (BLACK)
7	SN0278-1	1	GASKET	PERIMETER SEAL
8	SN0136	1	STRAP ASSEMBLY	
9	SN0009	6	POGO PINS	
10	TBD	AR	SOLDER	

REF. NUMBER: SN0405

SupplyNet 706 EXECUTIVE BLVD.
SUITE B
VALLEY COTTAGE, NY 10989

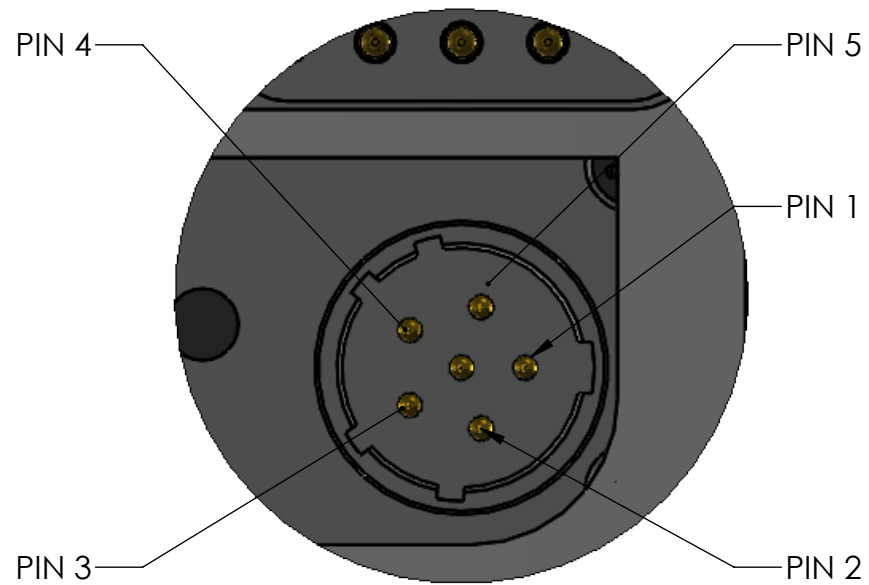
TITLE:
BB2590 WATER TIGHT BATTERY COVER W/ SMBUS OUT 24V

PROPRIETARY AND CONFIDENTIAL
THE INFORMATION CONTAINED IN THIS DRAWING IS THE SOLE PROPERTY OF SUPPLYNET, INC. ANY REPRODUCTION IN PART OR AS A WHOLE WITHOUT THE WRITTEN PERMISSION OF SUPPLYNET INC. IS PROHIBITED.

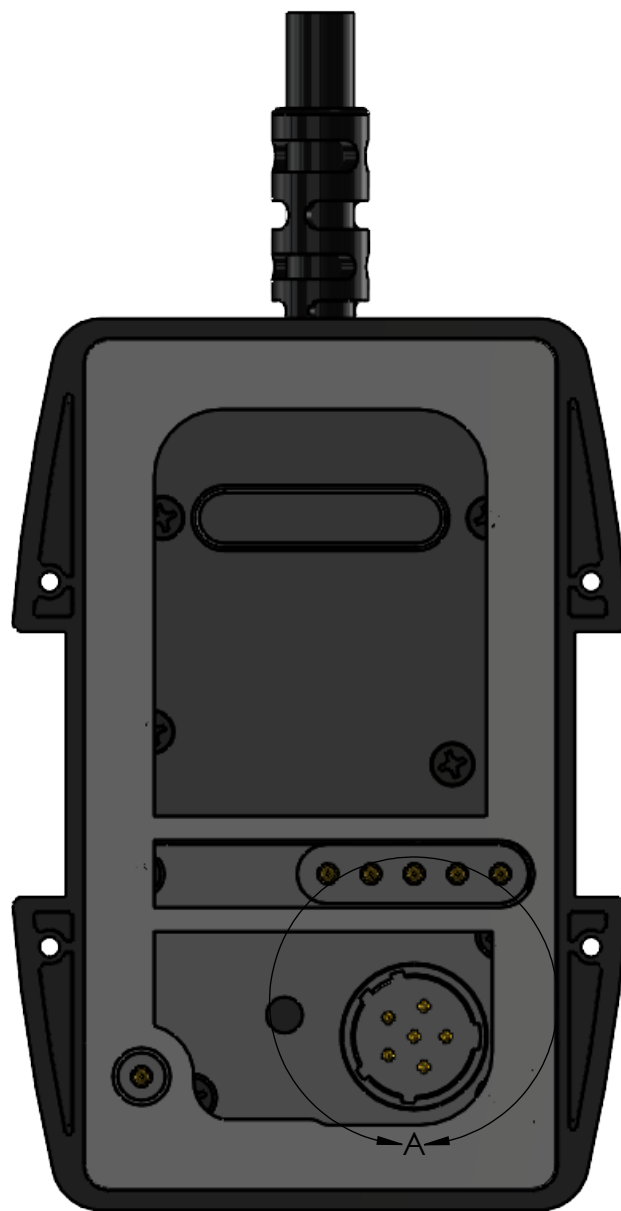
SIZE B	DWG. NO. SN-404-24-XX	REV B
------------------	--------------------------	-----------------

CAGE CODE: 1HJX9 SCALE: NA WEIGHT: SHEET 2 OF 3

**DETAILED VIEW
A**



DETAIL A
SCALE 2:1



1

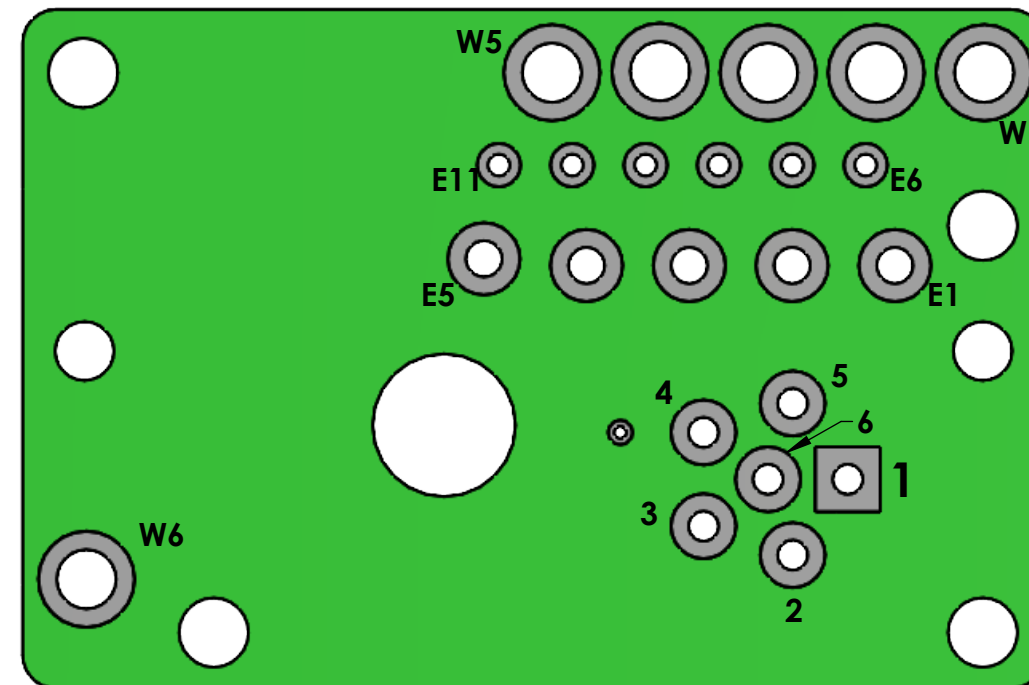
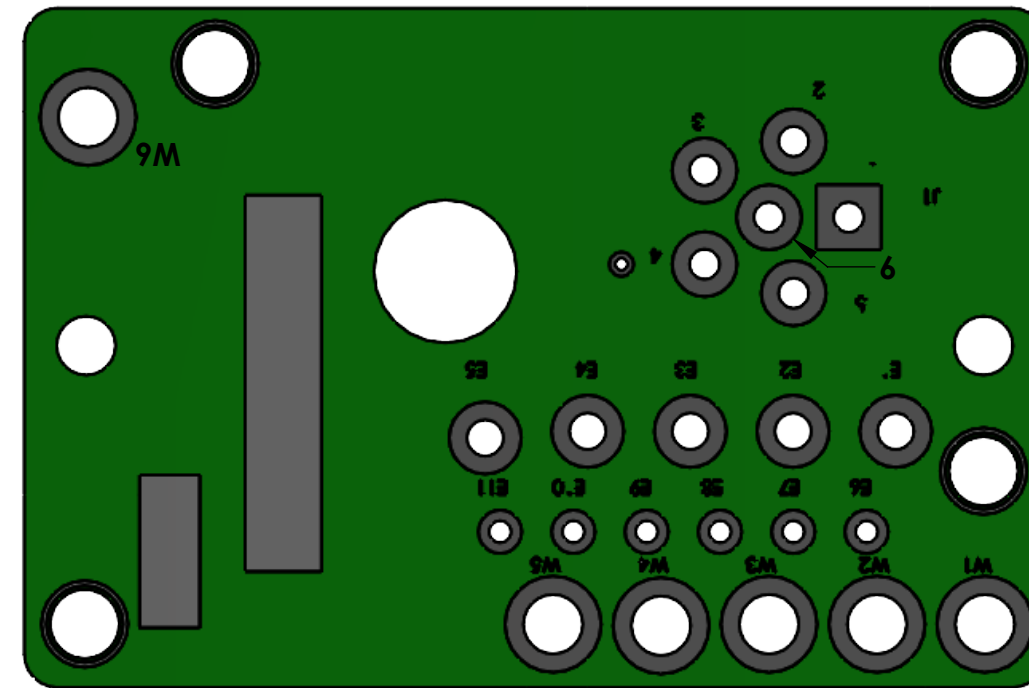


TABLE 4. 24VDC WIRE RUN LIST		
ITEM 1 (CABLE WIRE COLOR)	(CONNECTOR) PIN / FUNCTION	ITEM 6 PCB LOCATION
BLACK	SECTION A (V-)	E1
	E2 AND E4 JUMPED <	E2
		E4
RED / WHITE	SECTION B (V+)	E5
BLUE	CHARGE ENABLE RETURN	E11
BROWN	SECTION A - CLOCK	E6
ORANGE	SECTION A - DATA	E7
YELLOW	CHARGE ENABLE (+)	E8
PURPLE	SECTION B - CLOCK	E9
GRAY	SECTION B - DATA	E10

TABLE 5. PCB TRACES		
PCB "E" PIN	PCB PIN	SIGNAL
E1	1	SECTION A (V-)
E2	2	SECTION B (V-)
E3	3	SECTION A (V-)
E4	4	SECTION A (V+)
E5	5	SECTION B (V+)
E6	W1	SECTION A CLOCK
E7	W2	SECTION A DATA
E8	W3 & W6	CHARGE ENABLE
E9	W4	SECTION B CLOCK
E10	W5	SECTION B DATA
E11	6	CHARGE ENABLE RETURN

REF. NUMBER: SNO405

SupplyNet 706 EXECUTIVE BLVD.
SUITE B
VALLEY COTTAGE, NY 10989

TITLE:
**BB2590 WATER TIGHT BATTERY
COVER W/ SMBUS OUT
24V**

PROPRIETARY AND CONFIDENTIAL
THE INFORMATION CONTAINED IN THIS
DRAWING IS THE SOLE PROPERTY OF
SUPPLYNET, INC. ANY REPRODUCTION
IN PART OR AS A WHOLE WITHOUT THE
WRITTEN PERMISSION OF SUPPLYNET INC.
IS PROHIBITED.

SIZE B	DWG. NO. SN-404-24-XX	REV B
------------------	--------------------------	-----------------

CAGE CODE: 1HJX9 SCALE: NA WEIGHT: SHEET 3 OF 3