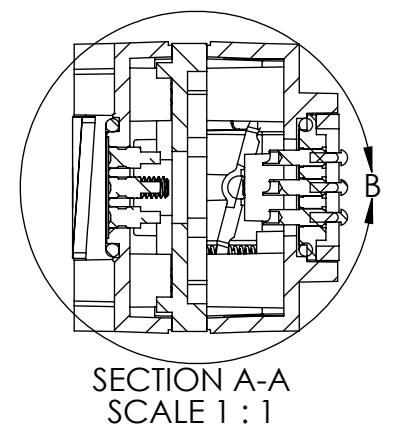
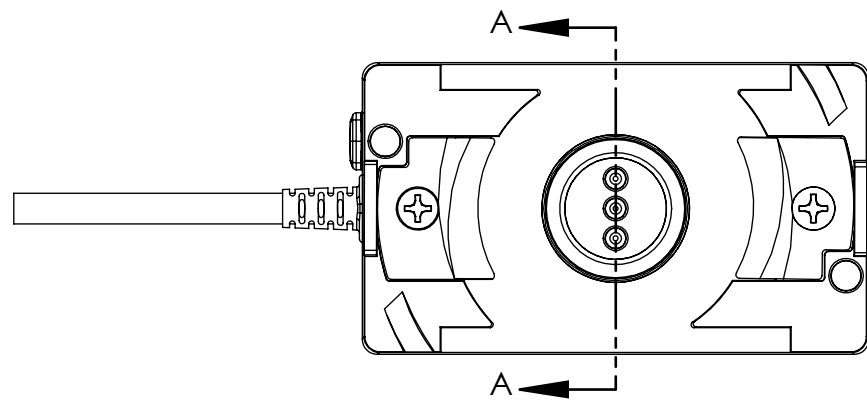
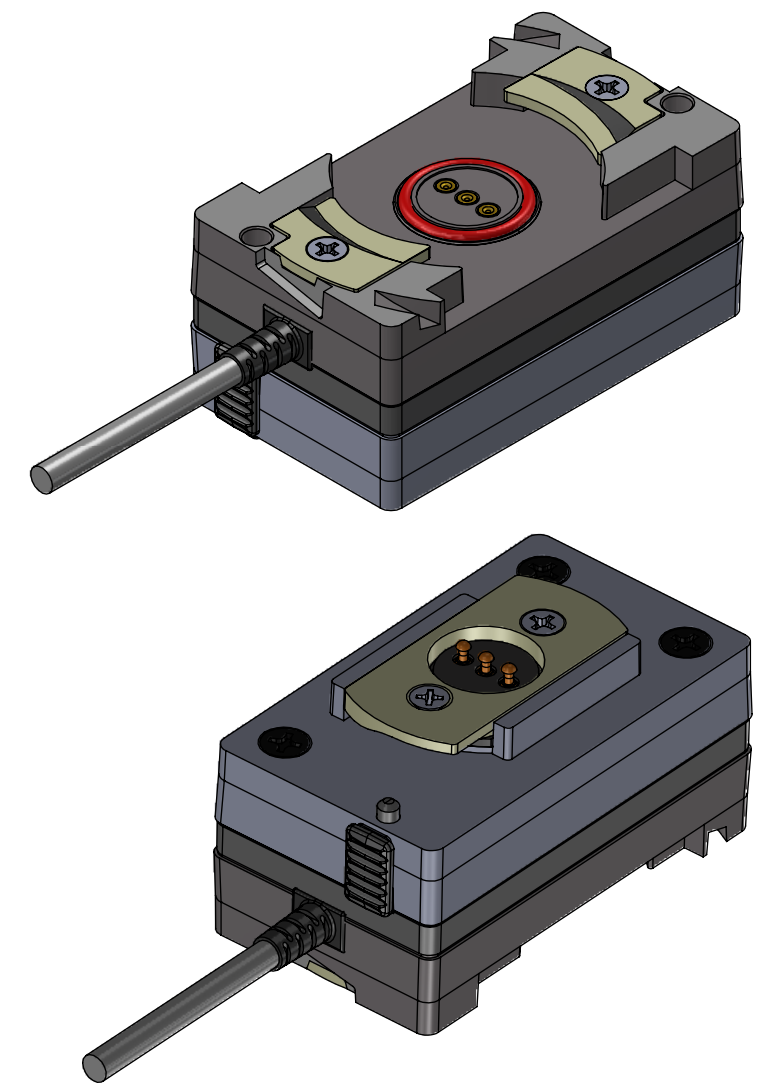
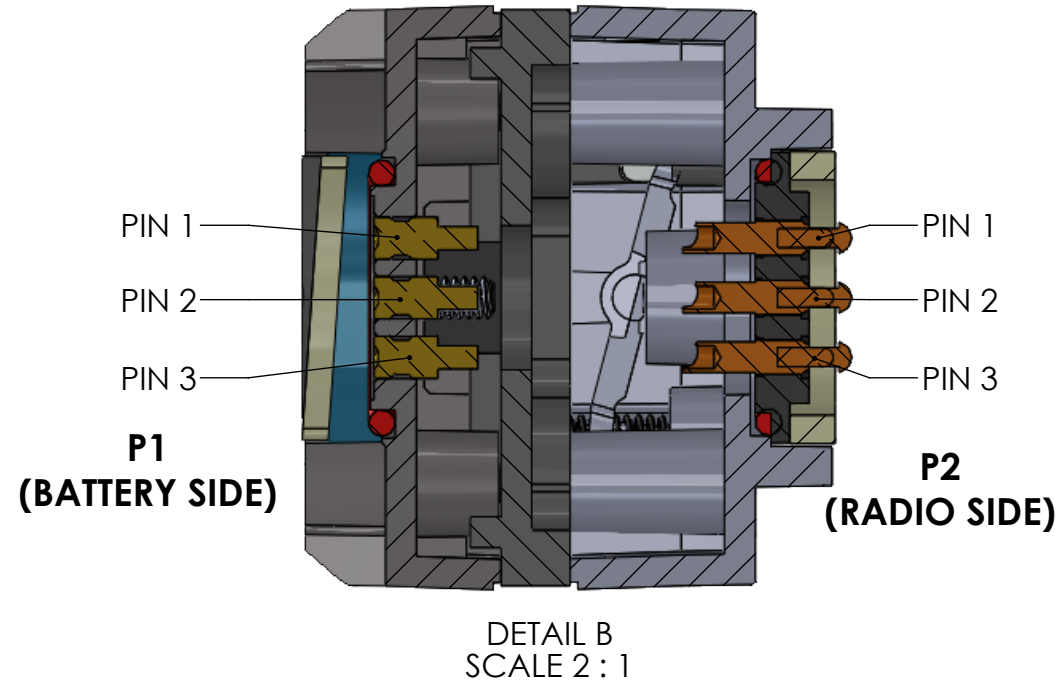
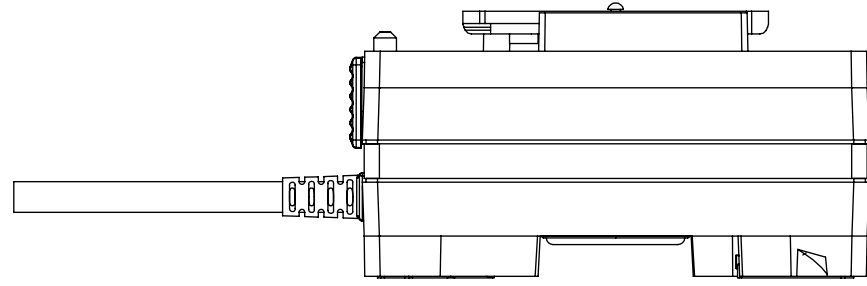


8 7 6 5 4 3 2 1

TABLE 1: WIRING		
P1 (BATTERY SIDE)	WIRE COLORS	P2 (RADIO SIDE)
1	RED (FROM CABLE)	1
2	WHITE (JUMPER)	2
3	RED (FROM CABLE)	3
STEEL TABS	GREEN + DRAIN (FROM CABLE)	STEEL TAB

JUMPED ————— JUMPED

REV	DATE	DESCRIPTION OF CHANGE	ENG
A	01/17/18	INITIAL RELEASE	LS



SECTION A-A
SCALE 1:1

- NOTES:**
- STANDARD WIRING IS PER TABLE 1.
 - BILL OF MATERIALS LOCATED ON PAGE 2 OF THIS DOCUMENT.
 - EXPLODED VIEW LOCATED ON PAGE 2 OF THIS DOCUMENT.

UNLESS OTHERWISE SPECIFIED:
 DIMENSIONS ARE IN: INCHES
 TOLERANCES: .XX: ± 0.03
 .XXX: ± 0.005
 ANGULAR: .X°: 1°
 .XX°: 0.5°
 BREAK EDGES: .005 - .020
 FILLETS: .005 - .020
 SURFACE FINISH:
 GEOMETRIC TOLERANCING
 PER: ASME Y14.5 -2009
 MATERIAL: SEE DRAWING NOTES
 FINISH: SEE DRAWING NOTES
 DO NOT SCALE DRAWING

	NAME	DATE
DRAWN	LS	01/17/18
CHECKED	RB	01/17/18
COMMENTS:		

REF. NUMBER: SN0546

SupplyNet 706 EXECUTIVE BLVD.
SUITE B
VALLEY COTTAGE, NY 10989

TITLE: **PRC-148/152
BATTERY/RADIO DUAL
ADAPTER W/UNREGULATED
12V POWER OUT (KIT)**

SIZE	DWG. NO.	REV
B	SN-832-KIT	A

CAGE CODE: 1HJX9 SCALE: NA WEIGHT: SHEET 1 OF 2

8 7 6 5 4 3 2 1

REV	DATE	DESCRIPTION OF CHANGE	ENG
A	01/17/18	INITIAL RELEASE	LS

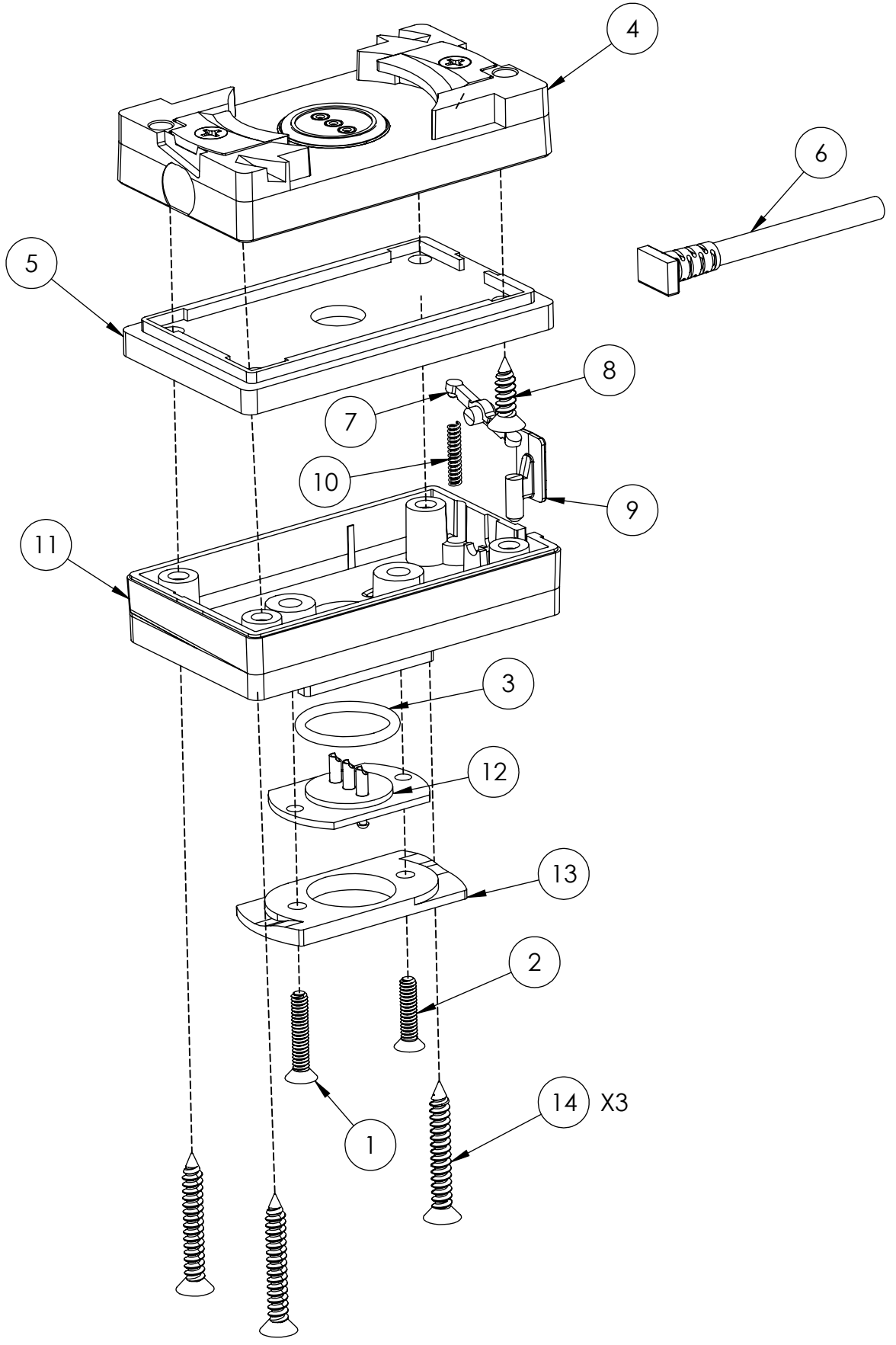


TABLE 2: BILL OF MATERIALS			
ITEM NO.	PART NO	QTY	NAME/DESCRIPTION
1	PFHMS 4-40 0625	1	4-40, Philips Flat Head, 5/8" Length
2	PFHMS 4-40 0500	1	4-40, Philips Flat Head, 1/2" Length
3	571-063-R70BT	1	Red Teflon Coated Buna O-Ring
4	CONN-MBITR-KIT-ASSY	1	MBITR Connector
5	TBD	1	Bottom Cover with 3/8" hole cut out
6	SN-359	1	22 AWG*4C+Drain, OD= 0.21", L= 6 ft. Cable w/SR
7	FE-411-04C	1	Button/Spring Rocker
8	TBD	1	#6 Screw, 0.5", Black
9	FE-611-05A	1	Button for Locking mechanism
10	C0120-014-0500-M	1	Spring for Locking Mechanism
11	1116-01-101-HOLES	1	MBITR-CONN-BAT housing (3 holes)
12	1116-01-105	1	PRC-152/MBITR Battery Adapter Plug (with pogo pins)
13	1116-01-106	1	PRC-152/MBITR Ground Bar
14	90033A160	3	#6 Black Philips Head Screw, 1"

UNLESS OTHERWISE SPECIFIED:
 DIMENSIONS ARE IN: INCHES
 TOLERANCES: .XX: ± 0.03
 .XXX: ± 0.005
 ANGULAR: .X°: 1°
 .XX°: 0.5°
 BREAK EDGES: .005 - .020
 FILLETS: .005 - .020
 SURFACE FINISH:
 GEOMETRIC TOLERANCING
 PER: ASME Y14.5 -2009
 MATERIAL: SEE DRAWING NOTES
 FINISH: SEE DRAWING NOTES
 DO NOT SCALE DRAWING

NAME	DATE
LS	01/17/18
CHECKED	RB
01/17/18	
COMMENTS:	
PROPRIETARY AND CONFIDENTIAL THE INFORMATION CONTAINED IN THIS DRAWING IS THE SOLE PROPERTY OF SUPPLYNET, INC. ANY REPRODUCTION IN PART OR AS A WHOLE WITHOUT THE WRITTEN PERMISSION OF SUPPLYNET INC. IS PROHIBITED.	
CAGE CODE: 1HJX9	

REF. NUMBER: SN0546

SupplyNet 706 EXECUTIVE BLVD.
 SUITE B
 VALLEY COTTAGE, NY 10989

TITLE: **PRC-148/152 BATTERY/RADIO DUAL ADAPTER W/UNREGULATED 12V POWER OUT (KIT)**

SIZE	DWG. NO.	REV
B	SN-832-KIT	A

SCALE: NA WEIGHT: SHEET 2 OF 2