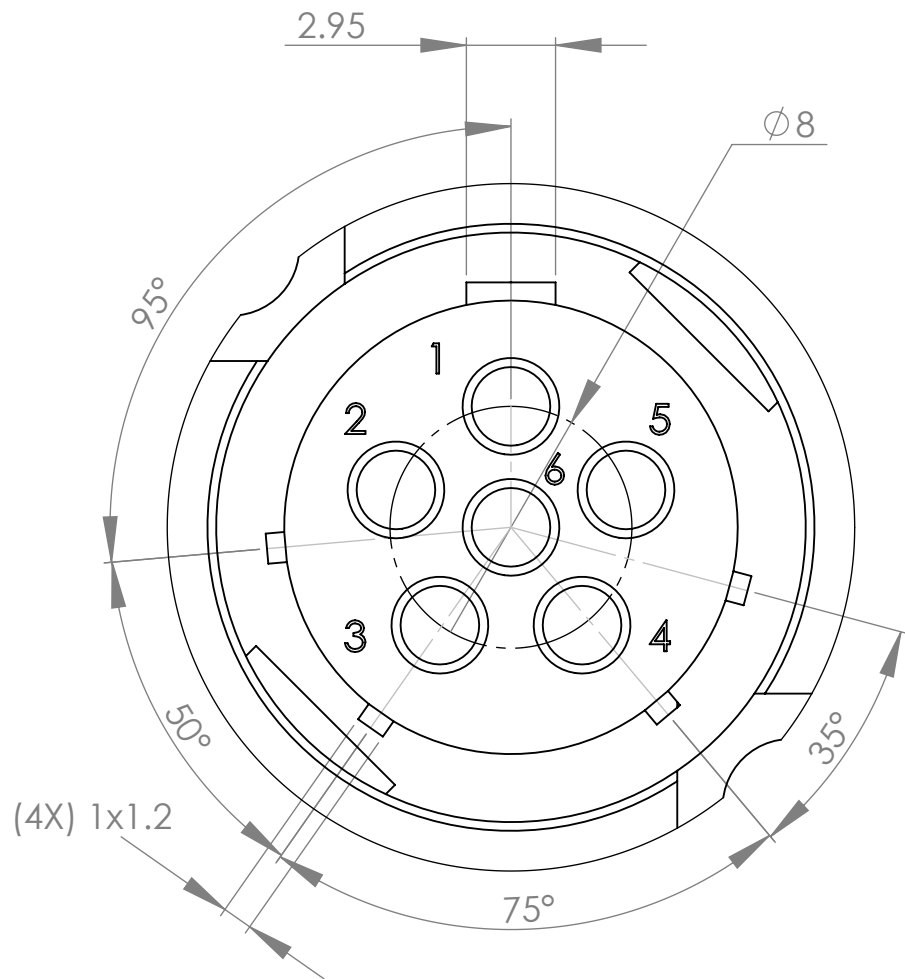
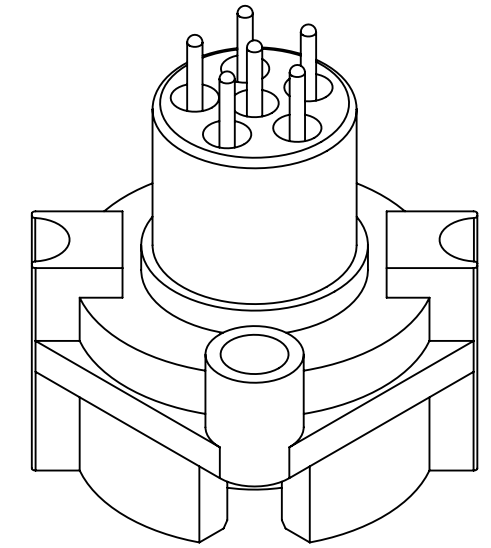
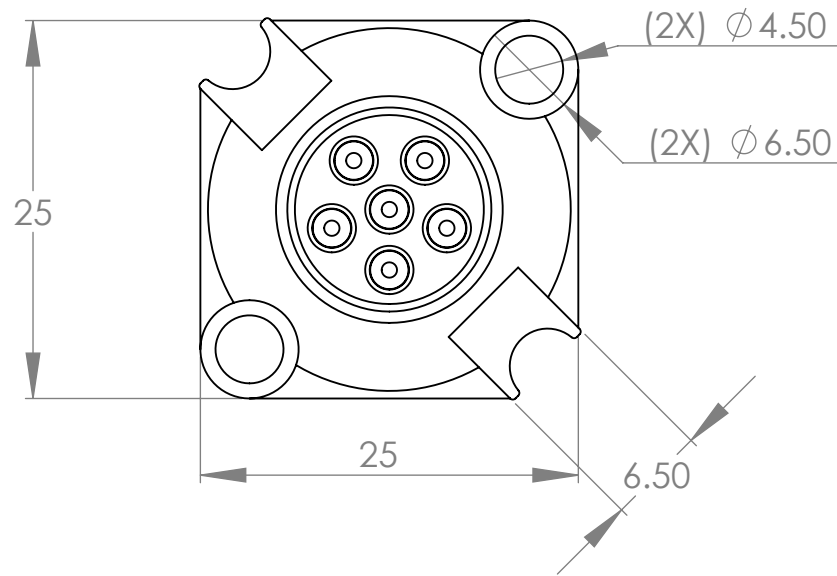
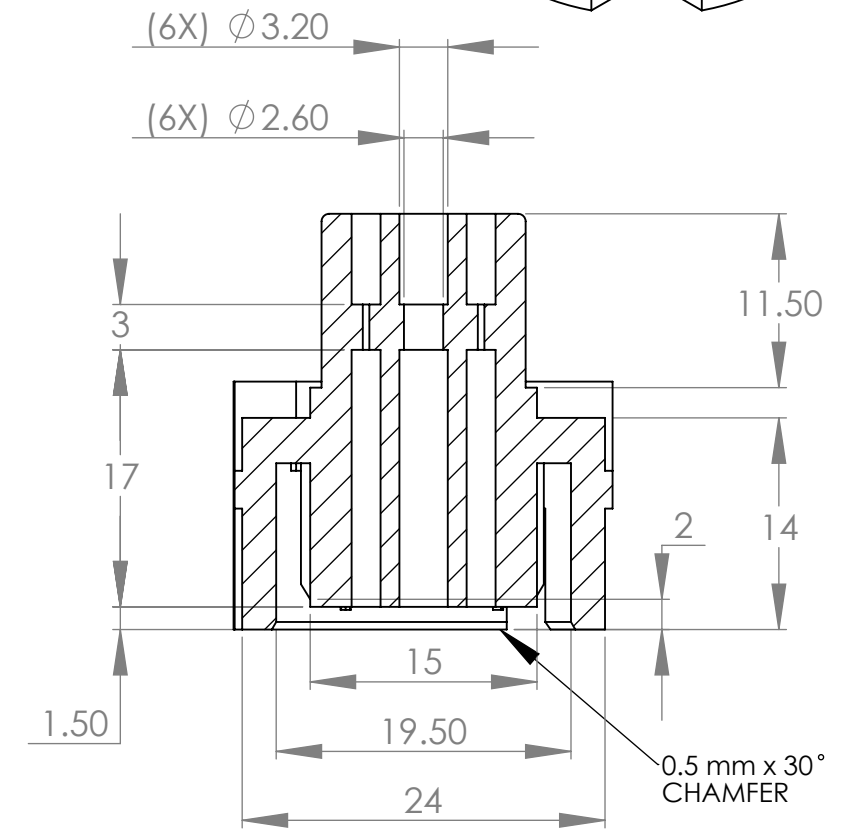
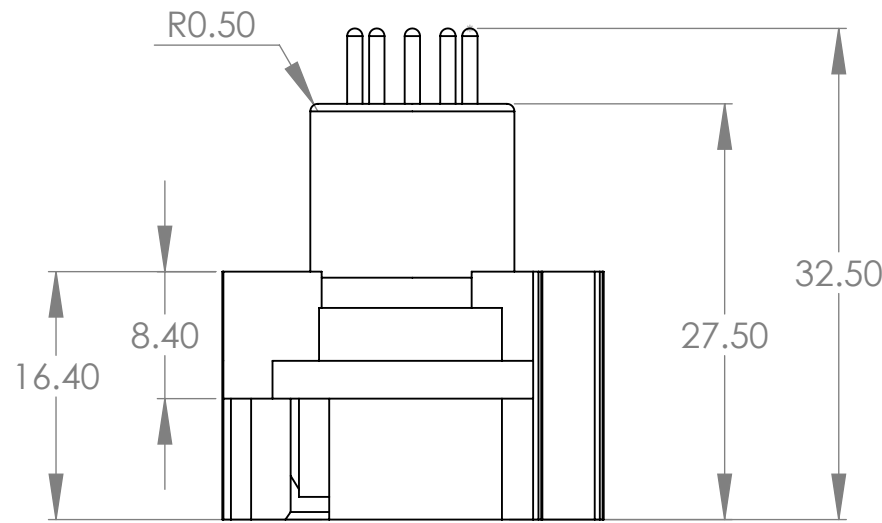


NOTES:

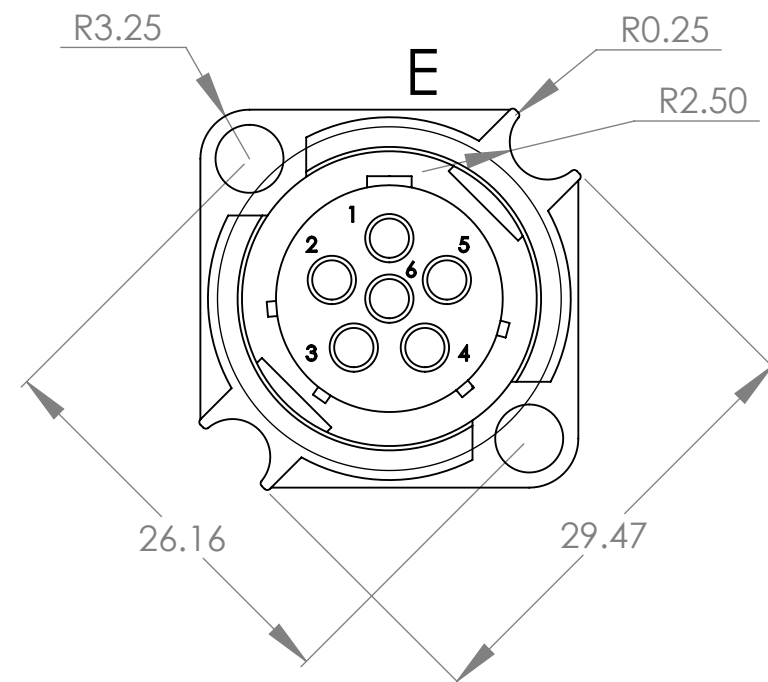
1. HOUSING MATERIAL: PBT
2. CONTACT MATERIAL: BRASS WITH D. Ag 8 SURFACE PLATING
3. DEBURR AND SMOOTH ALL EDGES. HOLE SURFACE ROUGHNESS = Ra 0.8.
4. LETTER HEIGHT: 1.5, PROTRUDE 0.2 mm ABOVE SURFACE.



MATING INTERFACE
KEY DETAIL
SCALE 4:1



HOUSING
CROSS SECTION



UNLESS OTHERWISE SPECIFIED: DIMENSIONS ARE IN: INCHES TOLERANCES: .XX: ± .01 .XXX: ± .005 ANGULAR: .X°: .XX°:	NAME	DATE	SupplyNet 614 CORPORATE WAY SUITE 8M VALLEY COTTAGE, NY 10980 CAGE CODE: 1HJX9
	DRAWN	DD	
INTERPRET GEOMETRIC TOLERANCING PER:	CHECKED	RB	07/21/09
MATERIAL SEE NOTES	COMMENTS:		
FINISH N/A	<p>PROPRIETARY AND CONFIDENTIAL</p> <p>THE INFORMATION CONTAINED IN THIS DRAWING IS THE SOLE PROPERTY OF <INSERT COMPANY NAME HERE>. ANY REPRODUCTION IN PART OR AS A WHOLE WITHOUT THE WRITTEN PERMISSION OF <INSERT COMPANY NAME HERE> IS PROHIBITED.</p>		<p>TITLE:</p> <p>BA-5590 FEMALE BATTERY CONNECTOR</p>
DO NOT SCALE DRAWING	SIZE B	DWG. NO. CONN-BA-5590-F	REV A
	SCALE: 2:1	WEIGHT:	SHEET 1 OF 1