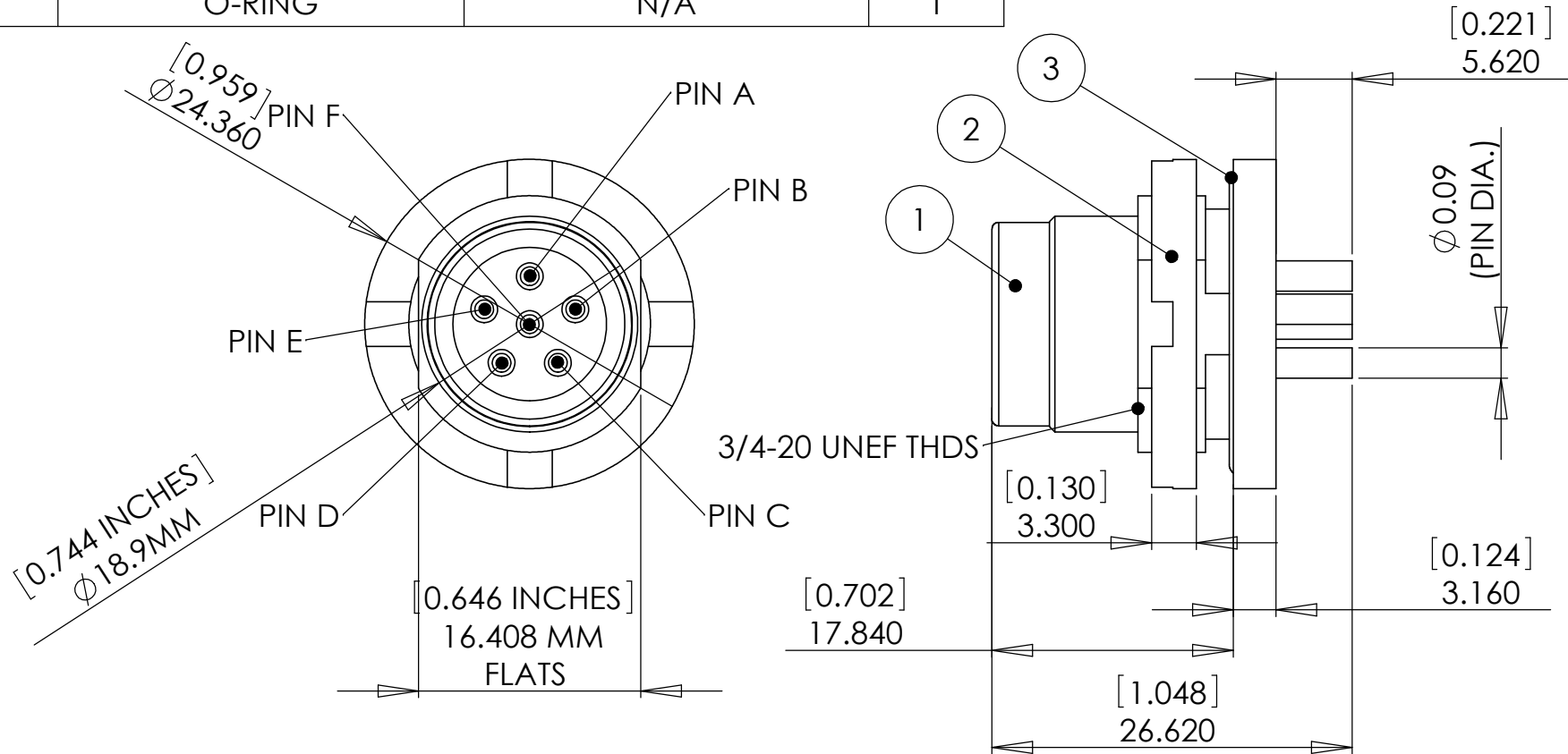


ITEM	DESCRIPTION	PART NUMBER	QTY.
1	CONNECTOR	N/A	1
2	NUT	N/A	1
3	O-RING	N/A	1



UNLESS OTHERWISE SPECIFIED:	NAME	DATE	SupplyNet 614 CORPORATE WAY SUITE 8M VALLEY COTTAGE, NY 10980 CAGE CODE: 1HJX9
DIMENSIONS ARE IN:	DRAWN	AAR	
TOLERANCES:	CHECKED	RPB	102109
.XX: \pm	COMMENTS:		
.XXX: \pm	PROPRIETARY AND CONFIDENTIAL THE INFORMATION CONTAINED IN THIS DRAWING IS THE SOLE PROPERTY OF SUPPLYNET, INC. ANY REPRODUCTION IN PART OR AS A WHOLE WITHOUT THE WRITTEN PERMISSION OF SUPPLYNET, INC IS PROHIBITED.		
ANGULAR:			
.X°:	SIZE	DWG. NO.	REV
.XX°:	A	U-283/U	A
INTERPRET GEOMETRIC TOLERANCING PER:	SCALE: 2:1	WEIGHT:	SHEET 1 OF 1
MATERIAL			
NONE			
FINISH			
NONE			
DO NOT SCALE DRAWING			

5

4

3

2

1