

TABLE 1: WIRING	
PCB LOCATION	WIRE COLORS
R	RED
B, G	BLACK
SEE DIAGRAM 1	3 X JUMPER WIRE

TABLE 2: WIRE LENGTH CHART		
PART NUMBER & PART MARKING	"-XX" DIMENSION (INCHES)	TOLERANCE (INCHES)
191004E-01-ND	12	+1.0", -0.0"
191004E-02-ND	24	+2.0", -0.0"
191004E-03-ND	36	+2.0", -0.0"
191004E-04-ND	48	+2.0", -0.0"
191004E-05-ND	60	+2.0", -0.0"
191004E-06-ND	72	+4.0", -0.0"
191004E-08-ND	96	+4.0", -0.0"
191004E-10-ND	120	+4.0", -0.0"
191004E-12-ND	144	+6.0", -0.0"
191004E-15-ND	216	+6.0", -0.0"
191004E-20-ND	240	+6.0", -0.0"

REV	DATE	DESCRIPTION OF CHANGE	ENG
E	9/26/2019	UPDATED FORMAT REMOVED MFG INFO	MOB

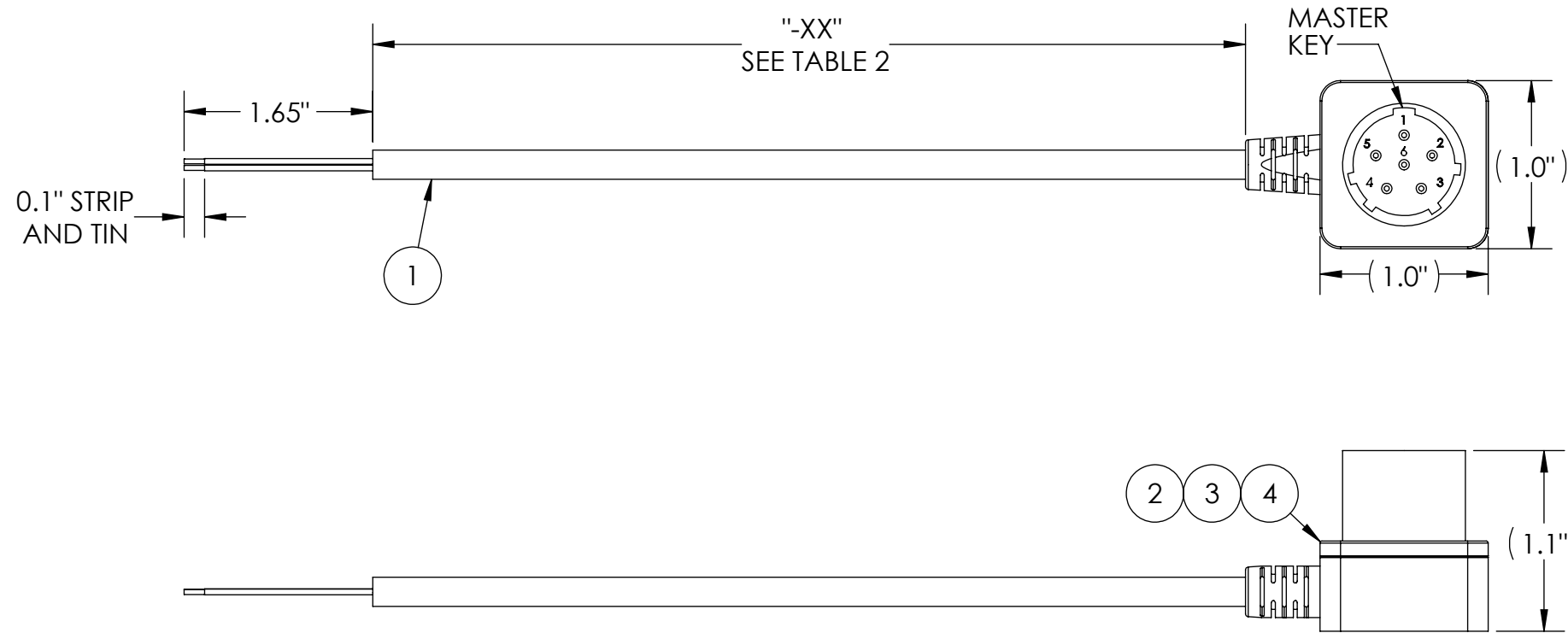


TABLE 2: BILL OF MATERIALS			
ITEM NO.	PART NO	QTY	NAME/DESCRIPTION
1	TBA	XX	CABLE, 2C, AWG 20, PU JACKET, 4.6MM OD
2	CONN-BA5590-MT	1	Male BA5590 with Threaded Backshell
3	BA-5590-GASKET	1	Gasket for CONN-BA5590-MT/MTV
4	CONN-BA5590-PCB	1	PCB for CONN-BA5590-MT/MTV with 2 Diodes

NOTES:

- WIRE FUNCTION: SEE TABLE 1 WIRE RUN LIST.
- CABLE LENGTH: "-XX" AS PER PO.
- ASSEMBLY TO BE 100% TESTED FOR CONTINUITY, SHORTS, AND JACKET RESISTANCE.
- SOLDERING: IAW IPC-J-STD-001 CLASS II AS APPLICABLE.
- IDENTIFICATION: BAG AND IDENTIFY ON PACKAGING THE FOLLOWING INFORMATION FOR EACH PART DELIVERED. UOS PART MARKING ON THE WIRE IS PROHIBITED.  
**PN: 191004E-XX-ND REV. X ("-XX" & REV AS PER PO)**  
**CAGE CODE: 1HJX9**  
**MFD: MM/YY**
- REFERENCE SUPPLYNET FILE NUMBER SN0617.
- MANUFACTURE AND INSPECT IAW IPC/WHMA A-620 CLASS 2.

UNLESS OTHERWISE SPECIFIED:  
 DIMENSIONS ARE IN: INCHES  
 TOLERANCES: .XX: ± 0.03  
 .XXX: ± 0.005  
 ANGULAR: .X°: 1°  
 .XX°: 0.5°  
 BREAK EDGES: .005 - .020  
 FILLETS: .005 - .020  
 SURFACE FINISH:  
 GEOMETRIC TOLERANCING  
 PER: ASME Y14.5 -2009  
 MATERIAL: SEE DRAWING NOTES  
 FINISH: SEE DRAWING NOTES  
 DO NOT SCALE DRAWING

NAME	DATE
DRAWN LS	3/29/2019
CHECKED RB	3/29/2019
COMMENTS:	
<b>PROPRIETARY AND CONFIDENTIAL</b> THE INFORMATION CONTAINED IN THIS DRAWING IS THE SOLE PROPERTY OF SUPPLYNET, INC. ANY REPRODUCTION IN PART OR AS A WHOLE WITHOUT THE WRITTEN PERMISSION OF SUPPLYNET INC. IS PROHIBITED.	
<b>CAGE CODE: 1HJX9</b>	

REF. NUMBER: SN0617

**SupplyNet** 706 EXECUTIVE BLVD.  
SUITE B  
VALLEY COTTAGE, NY 10989

TITLE: **BA5590 MALE BATTERY CONNECTOR WITH POLYURETHANE JACKET, 12V, VARIABLE LENGTH**

SIZE <b>B</b>	DWG. NO. <b>191004E-XX-ND</b>	REV <b>E</b>
SCALE: NA	WEIGHT:	SHEET 1 OF 2

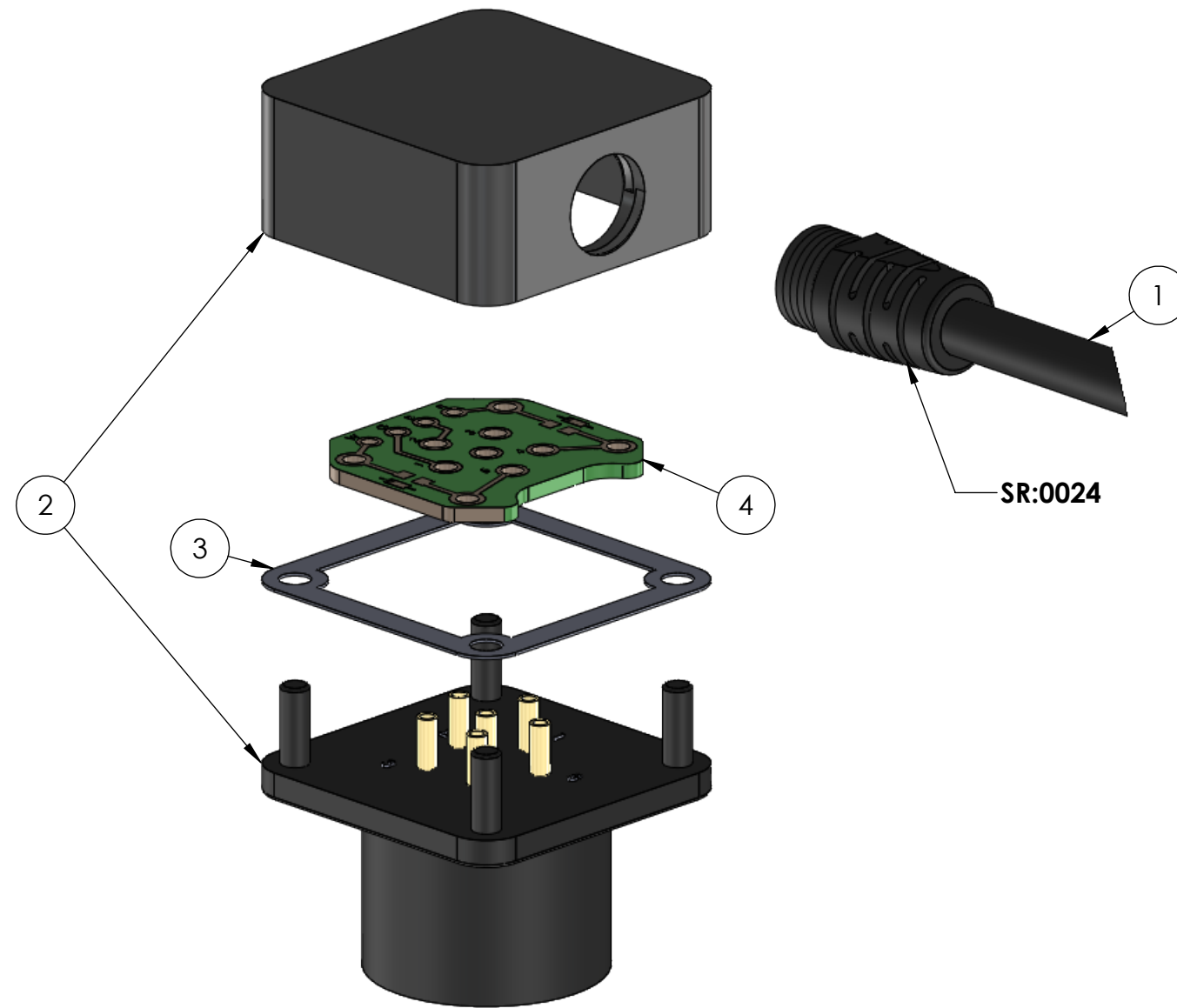


DIAGRAM 2:  
EXPLODED VIEW  
SCALE 2 : 1

TABLE 2: BILL OF MATERIALS			
ITEM NO.	PART NO	QTY	NAME/DESCRIPTION
1	TBA	XX	CABLE, 2C, AWG 20, PU JACKET, 4.6MM OD
2	CONN-BA5590-MT	1	Male BA5590 with Threaded Backshell
3	BA-5590-GASKET	1	Gasket for CONN-BA5590-MT/MTV
4	CONN-BA5590-PCB	1	PCB for CONN-BA5590-MT/MTV with 2 Diodes

REF. NUMBER: SN0617  
**SupplyNet** 706 EXECUTIVE BLVD.  
 SUITE B  
 VALLEY COTTAGE, NY 10989

TITLE:  
**BA5590 MALE BATTERY  
 CONNECTOR WITH  
 POLYURETHANE JACKET, 12V,  
 VARIABLE LENGTH**

**PROPRIETARY AND CONFIDENTIAL**  
 THE INFORMATION CONTAINED IN THIS  
 DRAWING IS THE SOLE PROPERTY OF  
 SUPPLYNET, INC. ANY REPRODUCTION  
 IN PART OR AS A WHOLE WITHOUT THE  
 WRITTEN PERMISSION OF SUPPLYNET INC.  
 IS PROHIBITED.

SIZE	DWG. NO.	REV
<b>B</b>	<b>191004E-XX-ND</b>	<b>E</b>

<b>CAGE CODE: 1HJX9</b>	SCALE: NA	WEIGHT:	SHEET 2 OF 2
-------------------------	-----------	---------	--------------