
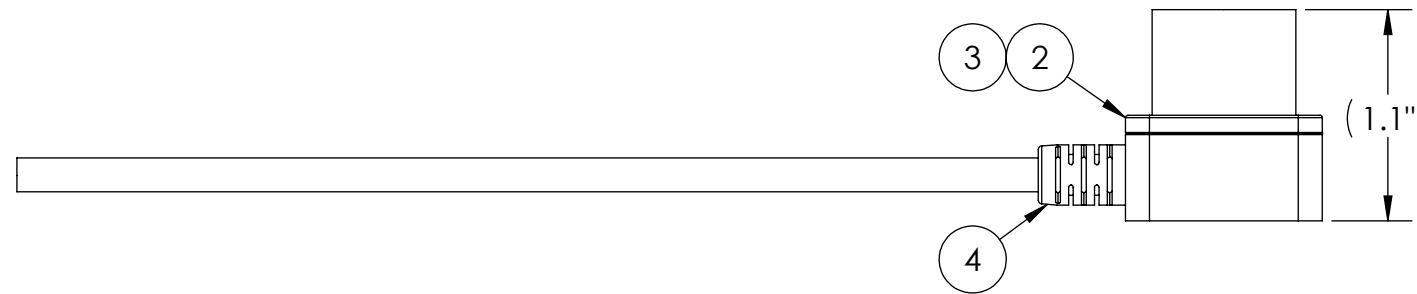
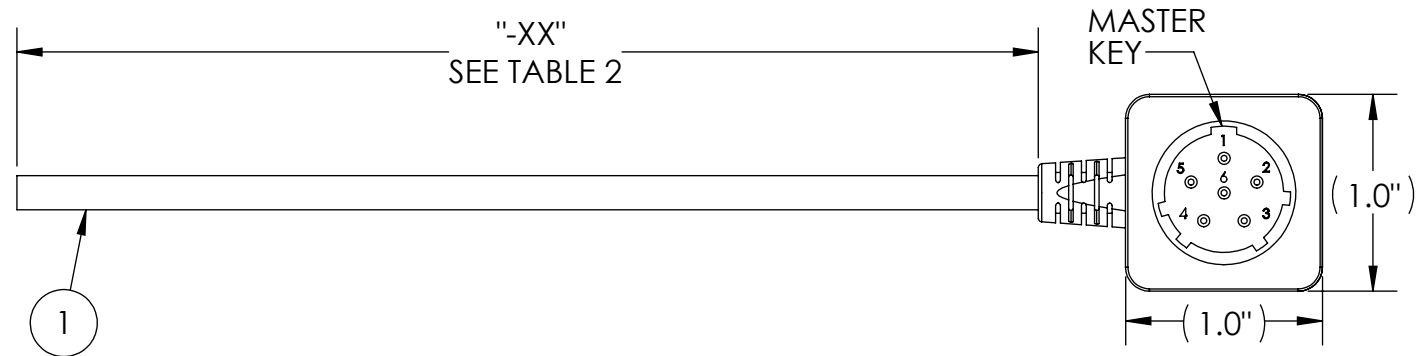
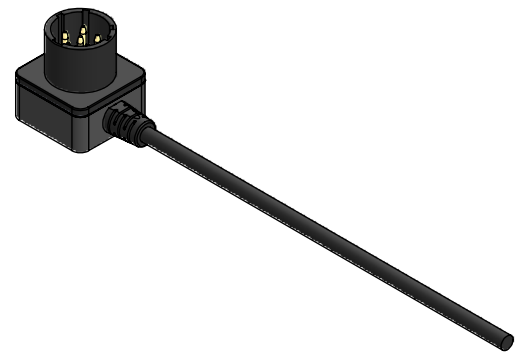


TABLE 1: WIRE RUN LIST	
PIN	WIRE COLORS
5 	RED
1	BLACK
2,4	JUMPER WIRE

\*JUMP PIN 2 & 4

TABLE 2: WIRE LENGTH CHART		
PART NUMBER & PART MARKING	"-XX" DIMENSION (INCHES)	TOLERANCE (INCHES)
191004F-01	12	+1.0", -0.0"
191004F-02	24	+2.0", -0.0"
191004F-03	36	+2.0", -0.0"
191004F-04	48	+2.0", -0.0"
191004F-05	60	+2.0", -0.0"
191004F-06	72	+4.0", -0.0"
191004F-08	96	+4.0", -0.0"
191004F-10	120	+4.0", -0.0"
191004F-12	144	+6.0", -0.0"
191004F-15	216	+6.0", -0.0"
191004F-20	240	+6.0", -0.0"



REVISIONS			
REV.	DESCRIPTION	DATE	APPROVED
J	CHANGED DIODE TO 45V 12A	1/20/2021	MOB
K	ADDED HI-POT NOTES, CHANGED ITEM NO. 1 PN	3/29/2022	MOB

TABLE 2: BILL OF MATERIALS			
ITEM NO.	PART NO	QTY	NAME/DESCRIPTION
1	202C-U07A	AR	CABLE, 2C, AWG 20, PU JACKET, 4.6MM OD
2	CONN-BA5590-MT	1	Male BA5590 with Threaded Backshell
3	SBR12A45SD1-TDITR-ND	1	DIODE SCHOTTKY, 45V, 12A
4	SR:0024	1	THREADED STRAIN RELIEF

NOTES:

- WIRE FUNCTION: SEE TABLE 1 WIRE RUN LIST.
- CABLE LENGTH "-XX" PER PO.
- ASSEMBLY TO BE 100% TESTED FOR CONTINUITY, SHORTS, AND JACKET RESISTANCE.(250V @ 100MOHM MIN)
- SOLDERING: IAW IPC-J-STD-001 CLASS II AS APPLICABLE.
- IDENTIFICATION: BAG AND IDENTIFY ON PACKAGING THE FOLLOWING INFORMATION FOR EACH PART DELIVERED.  
**PN: 191004E-XX REV. X ("XX" & REV AS PER PO)**  
**CAGE CODE: 1HJX9**  
**MFD: MM/YY**
- REFERENCE SUPPLYNET FILE NUMBER SN0617.
- MANUFACTURE AND INSPECT IAW IPC/WHMA A-620 CLASS 2.

UNLESS OTHERWISE SPECIFIED:		NAME	DATE	REF. NUMBER: SN0617
DIMENSIONS ARE IN: INCHES		DRAWN	LS	3/29/2019
TOLERANCES: .XX: ± 0.03		CHECKED	RB	3/29/2019
.XXX: ± 0.005		COMMENTS:		
ANGULAR: .X*: 1°		<b>PROPRIETARY AND CONFIDENTIAL</b> THE INFORMATION CONTAINED IN THIS DRAWING IS THE SOLE PROPERTY OF SUPPLYNET, INC. ANY REPRODUCTION IN PART OR AS A WHOLE WITHOUT THE WRITTEN PERMISSION OF SUPPLYNET INC. IS PROHIBITED.		
BREAK EDGES: .005 - .020				
FILLETS: .005 - .020				
SURFACE FINISH:				
GEOMETRIC TOLERANCING PER: ASME Y14.5 -2009		<b>BA5590 MALE BATTERY CONNECTOR WITH POLYURETHANE JACKET, 24V WITH DIODE, VARIABLE LENGTH</b>		
MATERIAL: SEE DRAWING NOTES		SIZE	DWG. NO.	REV
FINISH: SEE DRAWING NOTES		<b>B</b>	191004F-XX	<b>K</b>
DO NOT SCALE DRAWING		<b>CAGE CODE: 1HJX9</b>		SCALE: NA WEIGHT: SHEET 1 OF 2

SupplyNet 706 EXECUTIVE BLVD. SUITE B VALLEY COTTAGE, NY 10989

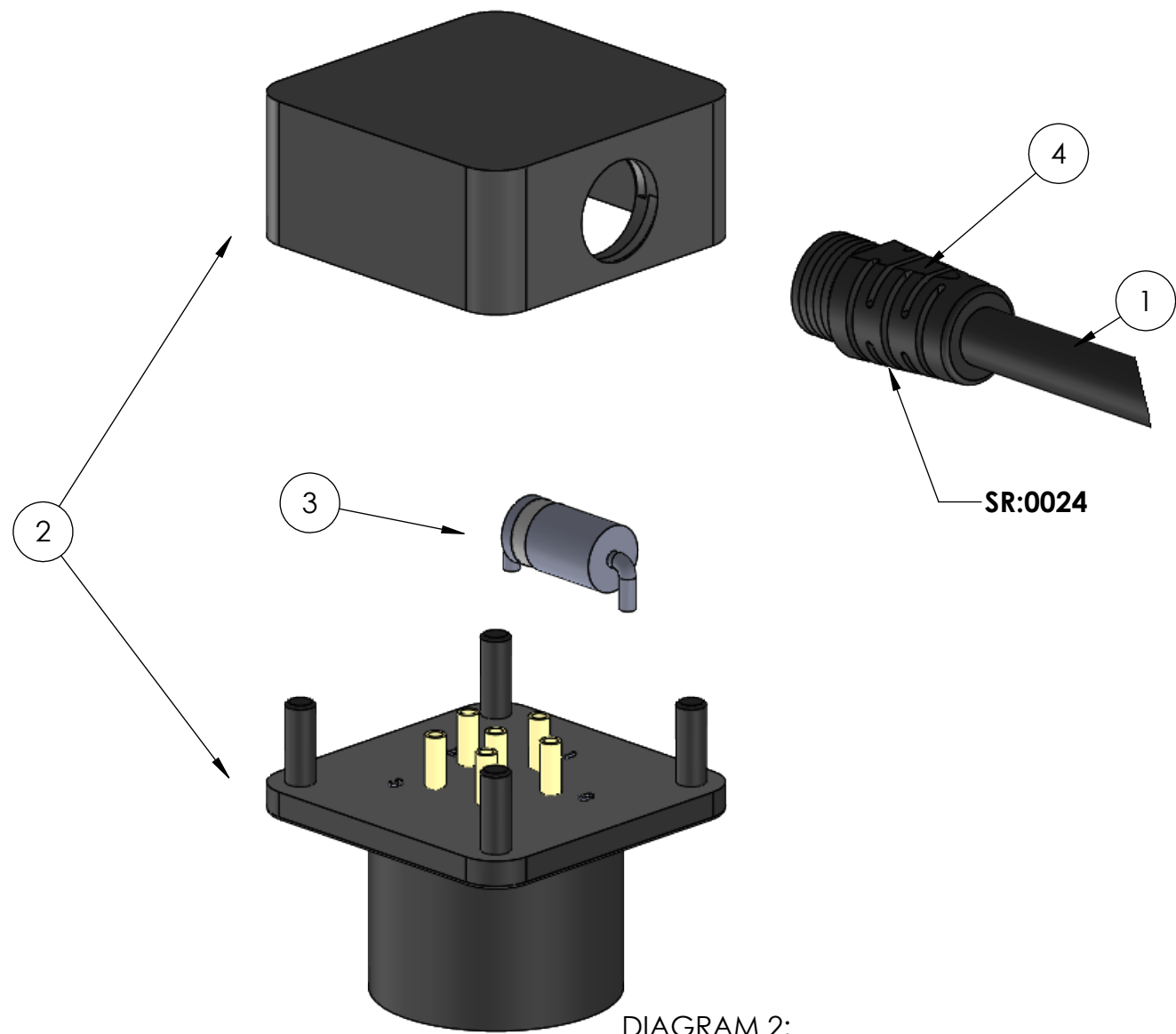


DIAGRAM 2:  
EXPLODED VIEW  
SCALE 2 : 1

TABLE 2: BILL OF MATERIALS			
ITEM NO.	PART NO	QTY	NAME/DESCRIPTION
1	202C-U07A	XX	CABLE, 2C, AWG 20, PU JACKET, 4.6MM OD
2	CONN-BA5590-MT	1	Male BA5590 with Threaded Backshell
3	SBR12A455D1-TDITR-ND	1	DIODE SCHOTTKY, 45V, 12A
4	SR:0024	1	THREADED STRAIN RELIEF

REF. NUMBER: SN0617  
**SupplyNet** 706 EXECUTIVE BLVD.  
 SUITE B  
 VALLEY COTTAGE, NY 10989

TITLE: **BA5590 MALE BATTERY CONNECTOR WITH POLYURETHANE JACKET, 24V WITH DIODE, VARIABLE LENGTH**

**PROPRIETARY AND CONFIDENTIAL**  
 THE INFORMATION CONTAINED IN THIS DRAWING IS THE SOLE PROPERTY OF SUPPLYNET, INC. ANY REPRODUCTION IN PART OR AS A WHOLE WITHOUT THE WRITTEN PERMISSION OF SUPPLYNET INC. IS PROHIBITED.

SIZE	DWG. NO.	REV
<b>B</b>	191004F-XX	K

**CAGE CODE: 1HJX9** SCALE: NA WEIGHT: SHEET 2 OF 2