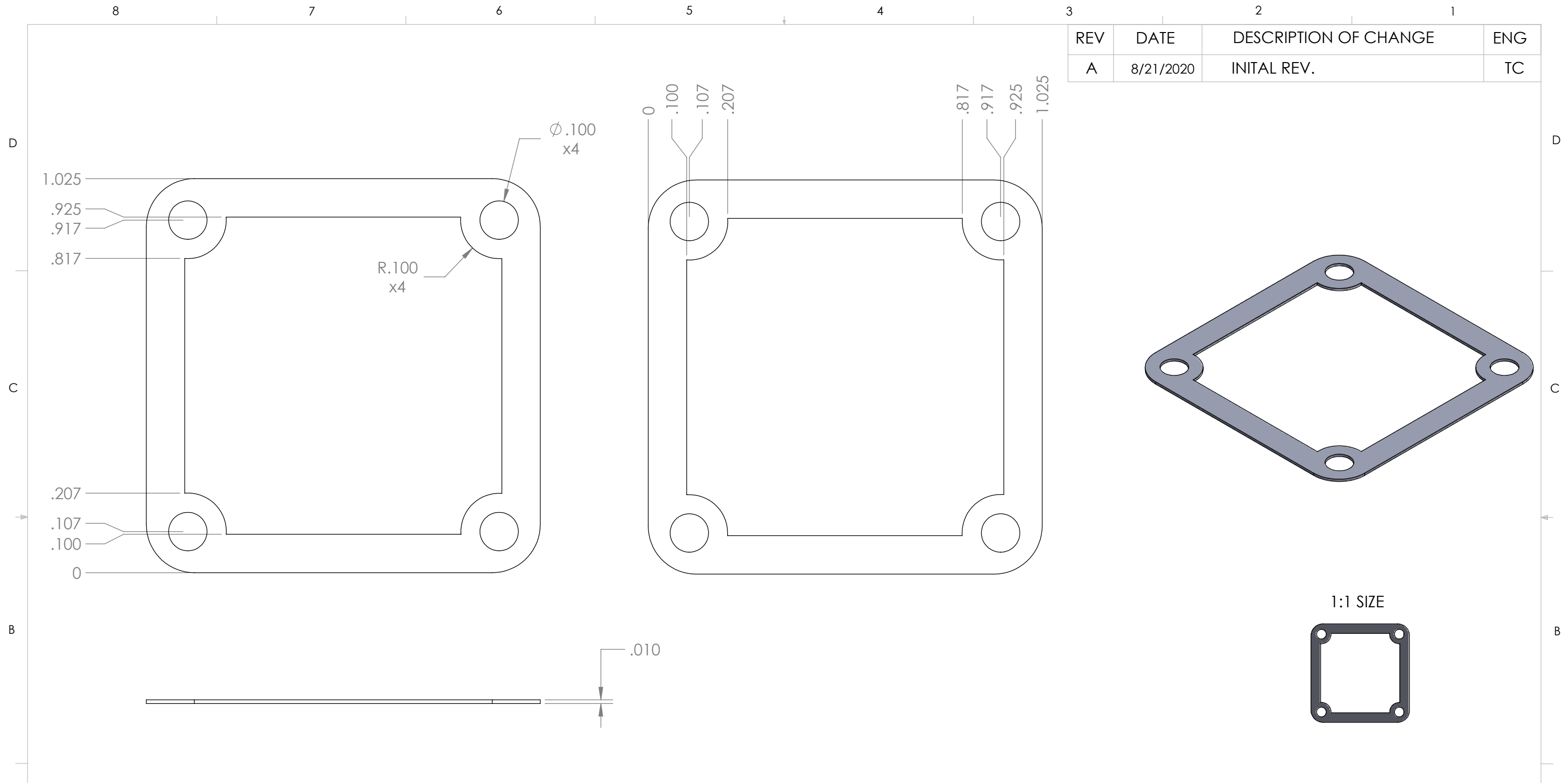



| REV | DATE      | DESCRIPTION OF CHANGE | ENG |
|-----|-----------|-----------------------|-----|
| A   | 8/21/2020 | INITAL REV.           | TC  |



NOTE 1 : MUST HAVE STIFF BACKING FOR INSTALATION  
 NOTE 2: WATER PROOF AGRESSIVE ADHESIVE ON BOTH SIDES (3M 4929 VHB OR EQUIV).  
 NOTE 3: WILL ADHERE TO ABS PLASTIC ON BOTH SIDES.  
 ADHESIVE RATED FOR WATER PROOF APLICATION.

UNLESS OTHERWISE SPECIFIED:  
 DIMENSIONS ARE IN: INCHES  
 TOLERANCES: .XX: ± 0.03  
 .XXX: ± 0.005  
 ANGULAR: .X°: 1°  
 .XX°: 0.5°  
 BREAK EDGES: .005 - .020  
 FILLETS: .005 - .020  
 SUFACE FINISH:  
 GEOMETRIC TOLERANCING  
 PER: ASME Y14.5 -2009  
 MATERIAL: SEE DRAWING NOTES  
 FINISH: SEE DRAWING NOTES  
 DO NOT SCALE DRAWING

| NAME  | DATE     |
|---|----------|
| DRAWN TC  | 01/05/19 |
| CHECKED RB  | 01/05/19 |
| COMMENTS:   |          |
| <b>PROPRIETARY AND CONFIDENTIAL</b><br>THE INFORMATION CONTAINED IN THIS DRAWING IS THE SOLE PROPERTY OF SUPPLYNET, INC. ANY REPRODUCTION IN PART OR AS A WHOLE WITHOUT THE WRITTEN PERMISSION OF SUPPLYNET INC. IS PROHIBITED. |          |
| CAGE CODE: 1HJX9  |          |

|   |                        |
|---|------------------------|
| REF. NUMBER: SN0634   |                        |
|  <b>706 EXECUTIVE BLVD.<br/>         SUITE B<br/>         VALLEY COTTAGE, NY 10989</b> |                        |
| TITLE: <b>BA5580 GASKET</b>   |                        |
| SIZE <b>B</b>   | DWG. NO. BA5590-GASKET |
| SCALE: NA   | WEIGHT:                |
|   | SHEET 1 OF 1           |

D  
C  
B  
A

D  
C  
B  
A

8 7 6 5 4 3 2 1

8 7 6 5 4 3 2 1