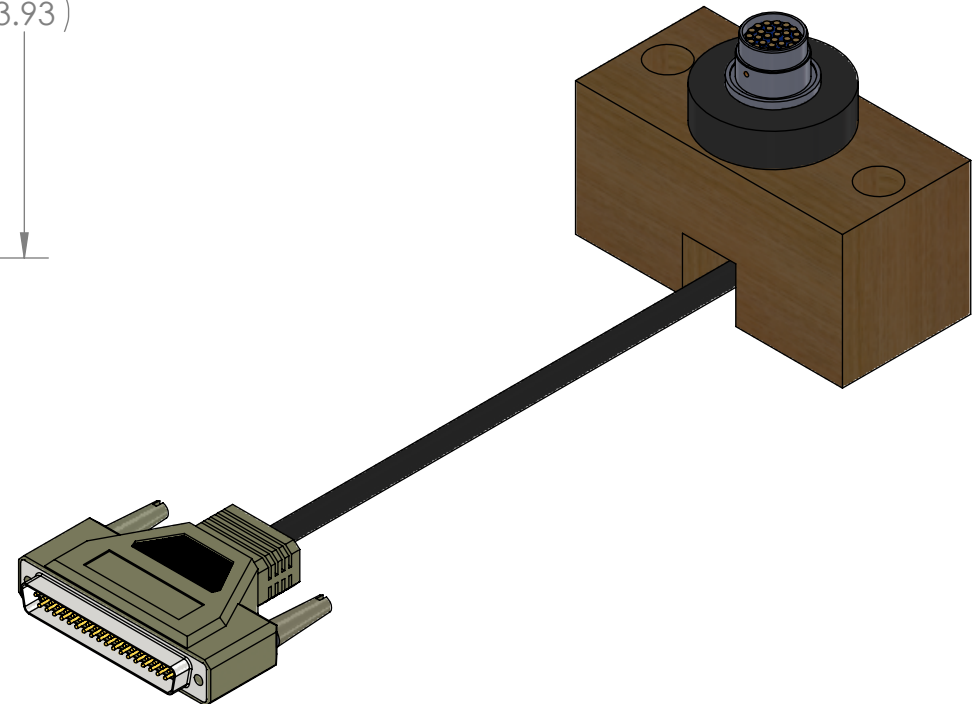
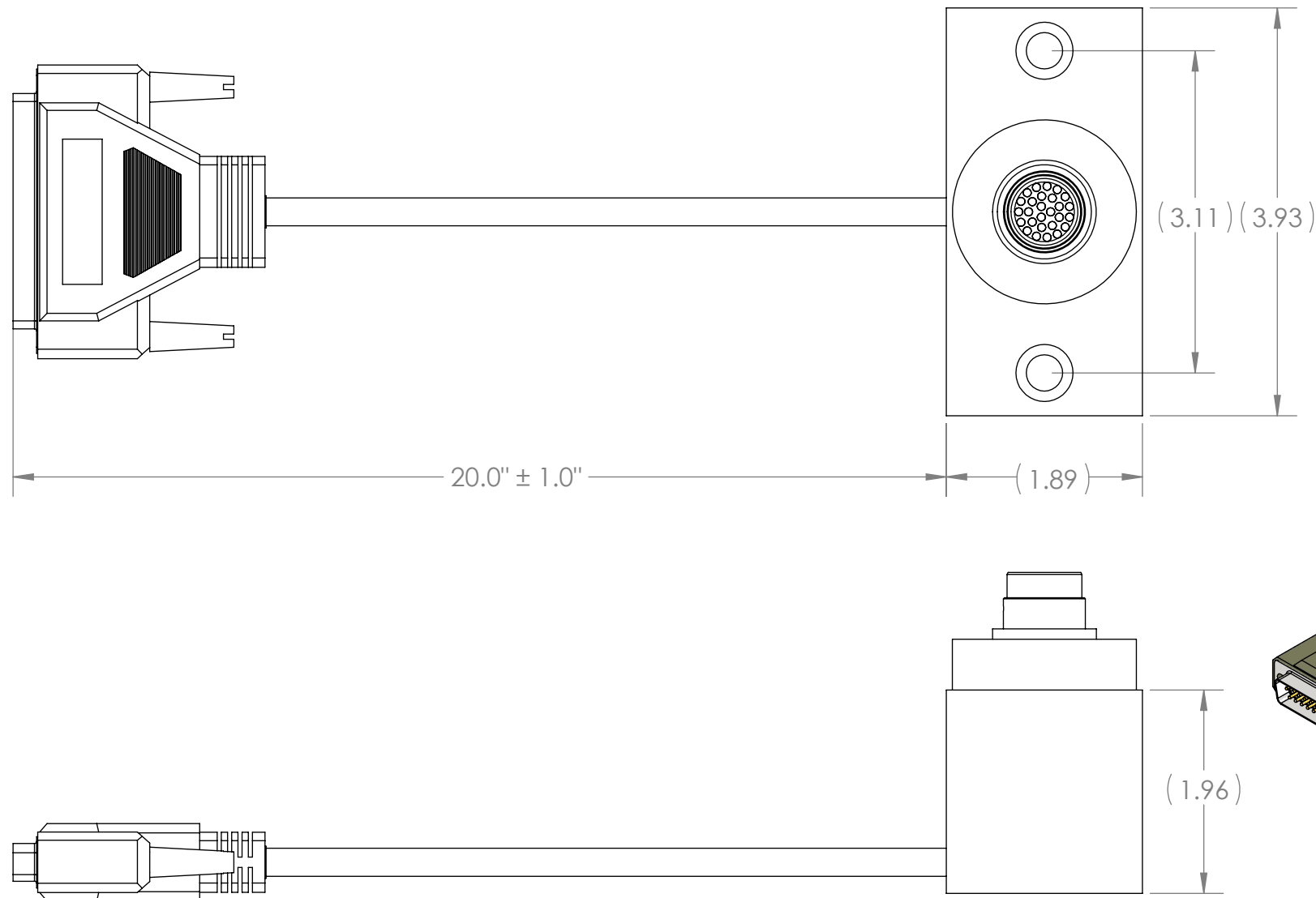


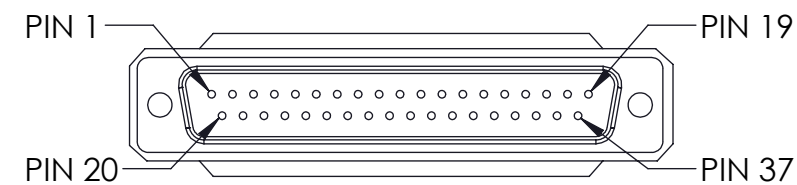
TABLE 1: WIRE RUN LIST		
P1 (DB37)	COLOR	P2 (27 PIN FIXTURE)
1	TBD	1
2	TBD	2
3	TBD	3
4	TBD	4
5	TBD	5
6	TBD	6
7	TBD	7
8	TBD	8
9	TBD	9
10	TBD	10
11	TBD	11
12	TBD	12
13	TBD	13
14	TBD	14
15	TBD	15
16	TBD	16
17	TBD	17
18	TBD	18
19	TBD	19
20	TBD	20
21	TBD	21
22	TBD	22
23	TBD	23
24	TBD	24
25	TBD	25
26	TBD	26
27	TBD	27
SHELL	SHIELD	SHELL

REV	DATE	DESCRIPTION OF CHANGE	ENG
A	9/20/17	INITIAL RELEASE	LS

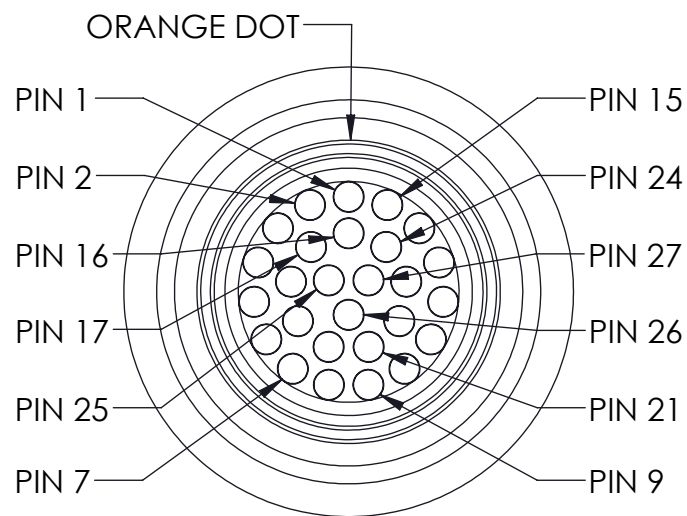


IMPORTANT:
PIN 5 AND PIN 13
ARE ATTACHED TO
SHELL ON P2 SIDE

BILL OF MATERIALS			
ITEM NO.	PART NUMBER	QTY	NAME / DESCRIPTION
1	TBD	1	DB37 MALE CONNECTOR
2	TBD	1	DB37 BACKSHELL
3	TBD	AR	CABLE
4	CONN-MC2127-M	1	Conn-MC2127 Mating Connector
5	TBD	1	Mounting Block



PIN LAYOUT OF P1
(FRONT FACE)



PIN LAYOUT OF P2
(FRONT FACE)

UNLESS OTHERWISE SPECIFIED:
DIMENSIONS ARE IN: INCHES
TOLERANCES: .XX: ± 0.03
.XXX: ± 0.005
ANGULAR: .X°: 1°
.XX°: 0.5°
BREAK EDGES: .005 - .020
FILLETS: .005 - .020
SURFACE FINISH:

GEOMETRIC TOLERANCING
PER: ASME Y14.5 -2009

MATERIAL: SEE DRAWING NOTES
FINISH: SEE DRAWING NOTES

DO NOT SCALE DRAWING

NAME	DATE
DRAWN: LS	9/20/17
CHECKED: RB	9/20/17
COMMENTS:	
PROPRIETARY AND CONFIDENTIAL THE INFORMATION CONTAINED IN THIS DRAWING IS THE SOLE PROPERTY OF SUPPLYNET, INC. ANY REPRODUCTION IN PART OR AS A WHOLE WITHOUT THE WRITTEN PERMISSION OF SUPPLYNET INC. IS PROHIBITED.	
CAGE CODE: 1HJX9	

REF. NUMBER: SN0497

SupplyNet 706 EXECUTIVE BLVD.
SUITE B
VALLEY COTTAGE, NY 10989

TITLE: **AN/PRC-117F MATING DATA CONNECTOR KIT FOR J3 ORANGE DOT DATA PORT**

SIZE B	DWG. NO. CONN-27PIN-M1	REV A
SCALE: NA	WEIGHT:	SHEET 1 OF 1