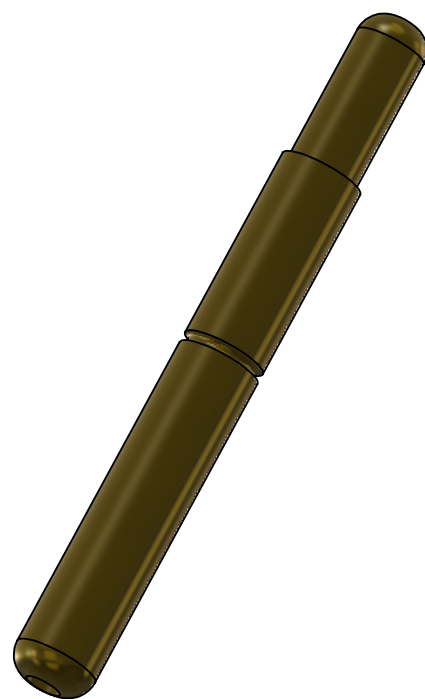
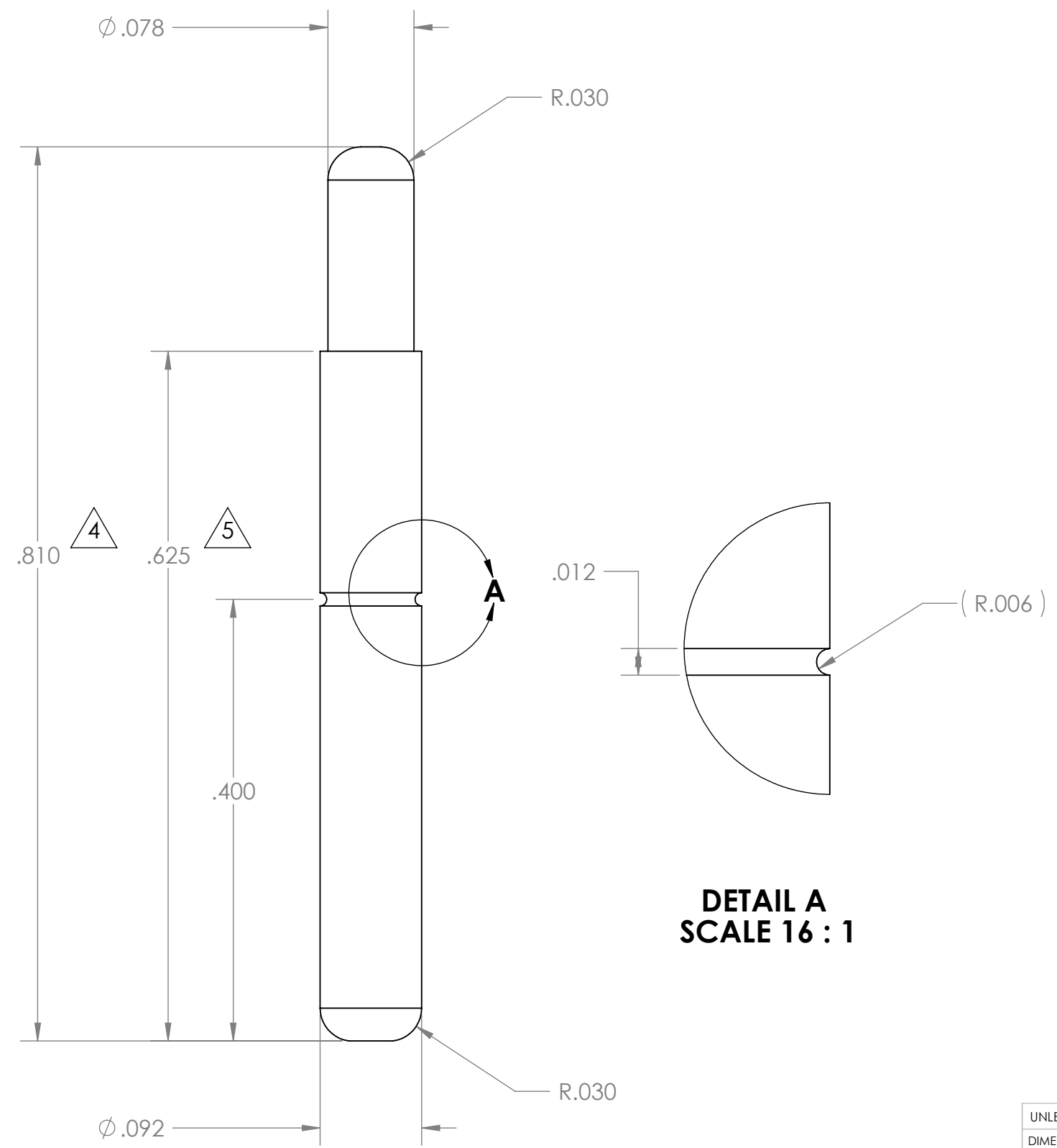



REV	DATE	DESCRIPTION OF CHANGE	ENG
B	11/28/18	UPDATED MATERIAL NOTES	TC



**DETAIL A
SCALE 16 : 1**

Sleeve & Plunger Material: Copper Alloy
 Spring Material: Beryllium Copper
 Sleeve & Plunger Finish: .254 μm" Gold over Beryllium Copper
 Spring Finish: 10 μm" Gold over Beryllium Copper
 Dimensions: Inches
 Tested to 10,000 CYCLES

- NOTES:
 1) SPRING FORCE = 300g
 4 FULLY EXTENDED DIMENSION
 5 FULLY COMPRESSED DIMENSION

UNLESS OTHERWISE SPECIFIED:		NAME	DATE	PART NUMBER: SN0009-1	
DIMENSIONS ARE IN: INCHES		DRAWN	RJB	01/10/13	 706 EXECUTIVE BLVD. SUITE B VALLEY COTTAGE, NY 10989
TOLERANCES: .XX: ± 0.03 .XXX: ± 0.005		CHECKED	RJB	01/10/13	
ANGULAR: .X°: 1° .XX°: 0.5°		COMMENTS:		TITLE: POGO PIN	
BREAK EDGES: .005 - .020 FILLETS: .005 - .020 SURFACE FINISH:		PROPRIETARY AND CONFIDENTIAL THE INFORMATION CONTAINED IN THIS DRAWING IS THE SOLE PROPERTY OF SUPPLYNET, INC. ANY REPRODUCTION IN PART OR AS A WHOLE WITHOUT THE WRITTEN PERMISSION OF SUPPLYNET INC. IS PROHIBITED.		SIZE	DWG. NO.
GEOMETRIC TOLERANCING PER: ASME Y14.5-2009				B	SN0009
MATERIAL: SEE DRAWING NOTES				REV	B
FINISH: SEE DRAWING NOTES				SCALE: NA	WEIGHT:
DO NOT SCALE DRAWING		CAGE CODE: 1HJX9		SHEET 1 OF 1	