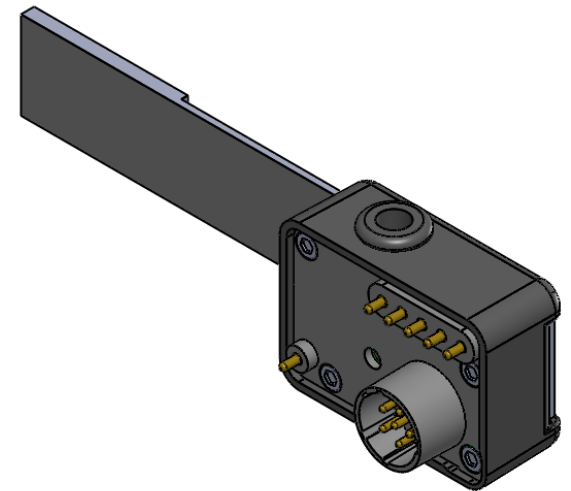
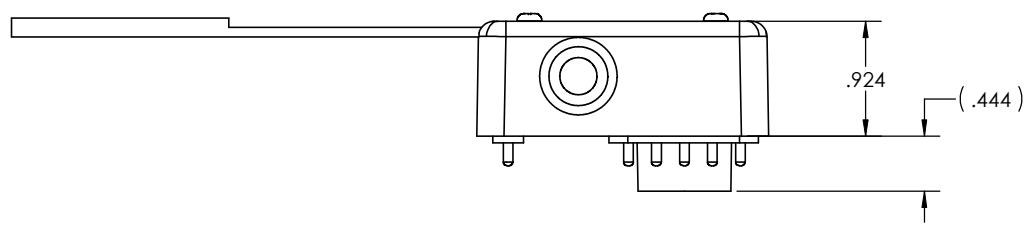
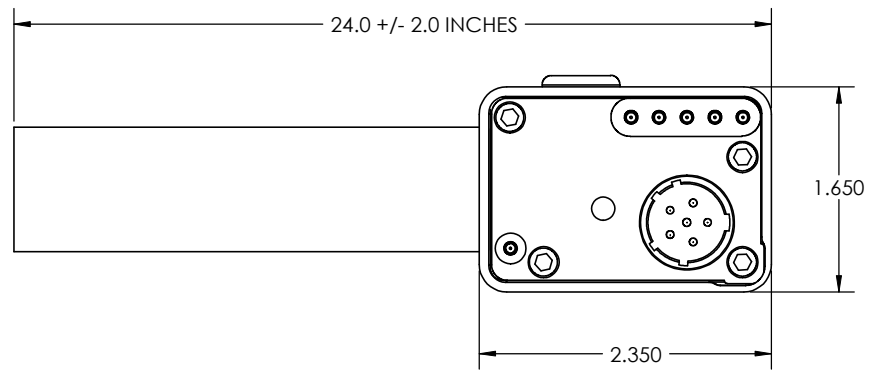


REV	DATE	DESCRIPTION OF CHANGE	ENG
A	11/26/13	REVISED. SEE DCN SN0019B	RJB



**PART NUMBER: SN0019-A B C-D-E**

- OPTION A: KEYWAY. SEE SHEET 3.
- OPTION B: POWER PIN. SEE SHEET 3.
- OPTION C: DATA / POGO PIN LOCATION. SEE SHEET 3.
- OPTION D: PCB LOCATION. SEE SHEET 4.
- OPTION E: ENCLOSURE / STRAP. SEE SHEET 4.

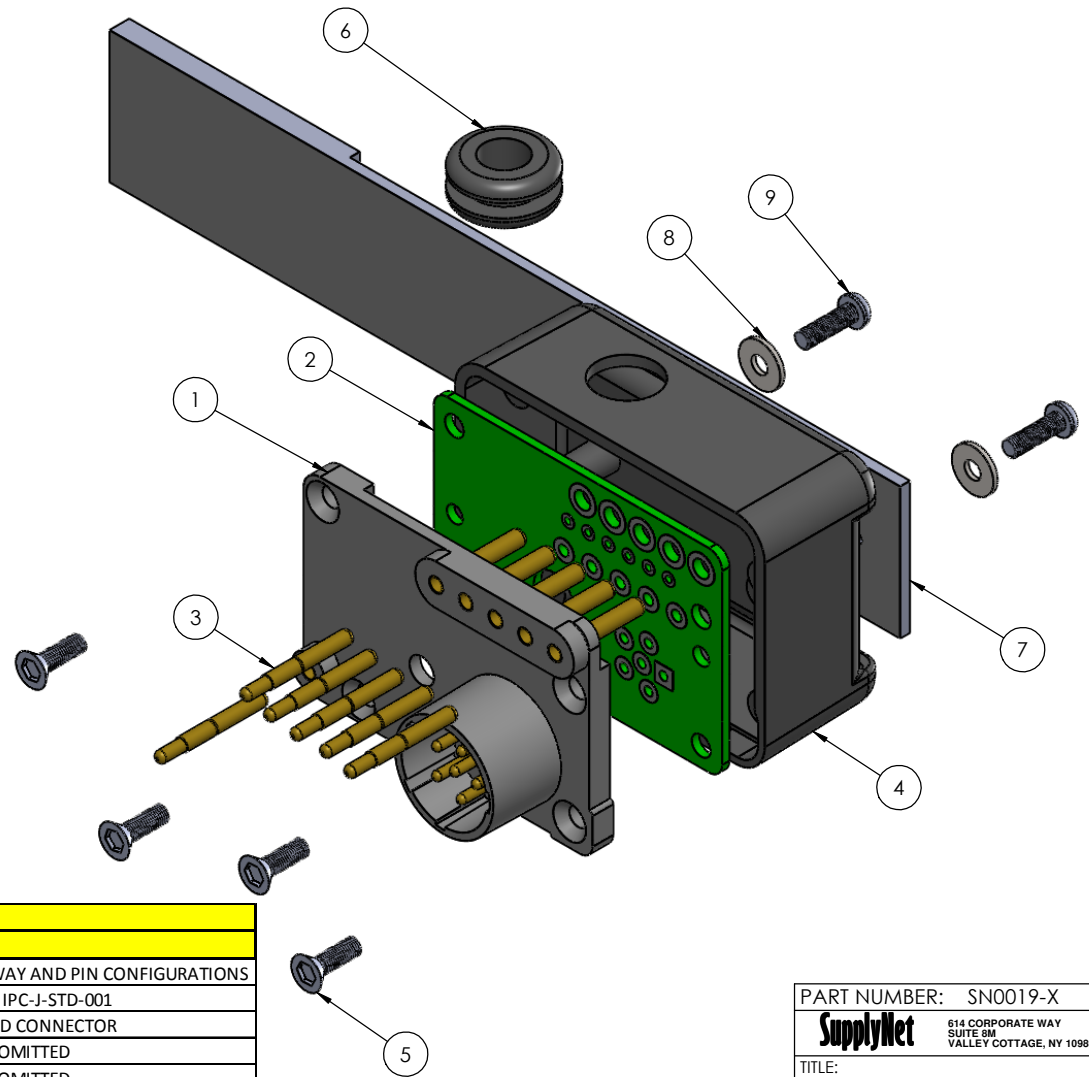
- NOTES:
- 1) ITEM 2 (PCB) TO BE SOLDERED IAW IPC-J-STD-001 AS APPLICABLE.
  - 2) PART NUMBER DETAILING DEFINED ON SHEETS 3 & 4.
  - 3) ITEM 7 (VELCRO STRAP) NOT SHOWN TO LENGTH. ACTUAL LENGTH IS 24".
  - 4) ITEM 10 NOT SHOWN.
  - 5) ELECTRICAL CONNECTION TABLE IS LOCATED ON SHEET 2.
  - 6) CONTACT CAPS (ITEM10 PN SN0018-1) ARE INSTALLED ON ALL DESIGNATED CONTACT PINS.

UNLESS OTHERWISE SPECIFIED:		PART NUMBER: SN0019-X	
DIMENSIONS ARE IN: INCHES	DRAWN	NAME	DATE
TOLERANCES: .XX: ± 0.03	RJB	RJB	01/14/13
.XXX: ± 0.005	CHECKED	RJB	01/14/13
ANGULAR: .XX° ± 0.5°	COMMENTS:		
BREAK EDGES: .005 - .020	<p style="text-align: center;"><b>PROPRIETARY AND CONFIDENTIAL</b></p> <p>THE INFORMATION CONTAINED IN THIS DRAWING IS THE SOLE PROPERTY OF SUPPLYNET, INC. ANY REPRODUCTION IN PART OR AS A WHOLE WITHOUT THE WRITTEN PERMISSION OF SUPPLYNET INC. IS PROHIBITED.</p>		
FILLET: .005 - .020			
SURFACE FINISH:	<p style="text-align: center;"><b>CONNECTOR ASSEMBLY</b></p>		
GEOMETRIC TOLERANCING PER: ASME Y14.5-2009	SIZE	DWG. NO.	REV
MATERIAL: SEE DRAWING NOTES	<b>B</b>	<b>SN0019</b>	<b>A</b>
FINISH: SEE DRAWING NOTES	CAGE CODE: 1HJX9		SCALE: NA WEIGHT: SHEET 1 OF 4
DO NOT SCALE DRAWING			

SupplyNet 614 CORPORATE WAY SUITE 8H VALLEY COTTAGE, NY 10989

WHEN WIRING TO THE PCB (PART NUMBER SN0008-1) USE THE TABLE BELOW TO INSURE PROPER CONNECTION AND FUNCTION.

CONNECTOR	SIGNAL DESCRIPTION	LOCATION	WIRE GAGE	WIRE COLOR
J1-1	SECTION A (V-)	E1	AWG 16	BLACK
J1-2	SECTION B (V-)	E2	AWG 16	BLACK / WHITE
J1-3	SECTION A (V-)	E3	AWG 16	NC
J1-4	SECTION A (V+)	E4	AWG 16	RED
J1-5	SECTION B (V+)	E5	AWG 16	RED / WHITE
J1-6	CHARGE ENABLE (-)	E11	AWG 22	BLUE
W1	SECTION A - CLOCK	E6	AWG 22	BROWN
W2	SECTION A - DATA	E7	AWG 22	ORANGE
W3,6	CHARGE ENABLE (+)	E8	AWG 22	YELLOW
W4	SECTION B - CLOCK	E9	AWG 22	VIOLET
W5	SECTION B - DATA	E10	AWG 22	GRAY



PART NUMBER SN0019 GENERAL BILL OF MATERIALS				
ITEM	QTY / ASSY	PART NUMBER	NAME	COMMENTS
1	1	SN0017-1,-2,-3, or -4	CONNECTOR PIN ASSEMBLY	VARIOUS KEYWAY AND PIN CONFIGURATIONS
2	0-1	SN0008-1	PRINTED CIRCUIT BOARD	SOLDERED PER IPC-J-STD-001
3	0-6	SN0009-1	POGO PIN	SPRING LOADED CONNECTOR
4	0-1	SN0010-1	ENCLOSURE	PROVIDED OR OMITTED
5	0-4	SN0012-1	MOUNTING SCREW	PROVIDED OR OMITTED
6	0-1	SN0011-1	GROMMET	PROVIDED OR OMITTED
7	0-1	SN0013-1	VELCRO STRAP	PROVIDED OR OMITTED
8	0-2	SN0015-1	STRAP MOUNTING WASHER	PROVIDED OR OMITTED
9	0-2	SN0014-1	STRAP MOUNTING SCREW	PROVIDED OR OMITTED
10	0-6	SN0018-1	CONTACT PIN CAP	NOT SHOWN. TYPICALLY USED ON OPEN PINS

**PROPRIETARY AND CONFIDENTIAL**  
 THE INFORMATION CONTAINED IN THIS DRAWING IS THE SOLE PROPERTY OF SUPPLYNET, INC. ANY REPRODUCTION IN PART OR AS A WHOLE WITHOUT THE WRITTEN PERMISSION OF SUPPLYNET INC. IS PROHIBITED.

PART NUMBER: SN0019-X

**SupplyNet** 614 CORPORATE WAY  
 SUITE 8M  
 VALLEY COTTAGE, NY 10989

TITLE:  
**CONNECTOR ASSEMBLY**

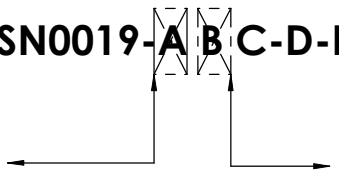
SIZE <b>B</b>	DWG. NO. <b>SN0019</b>	REV <b>A</b>
------------------	---------------------------	-----------------

CAGE CODE: 1HJX9    SCALE: NA    WEIGHT:    SHEET 2 OF 4

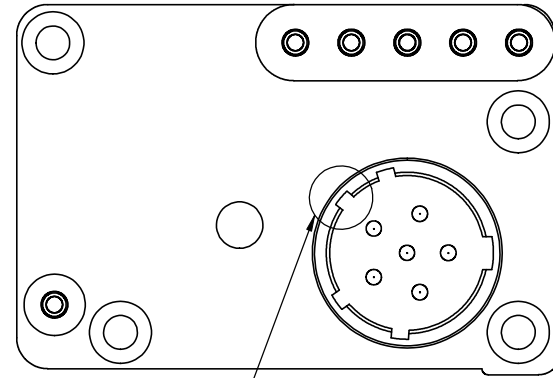
PART NUMBER: SN0019-A B C-D-E

KEYWAY OPTION  
5 = 5 KEYWAYS  
4 = 4 KEYWAYS

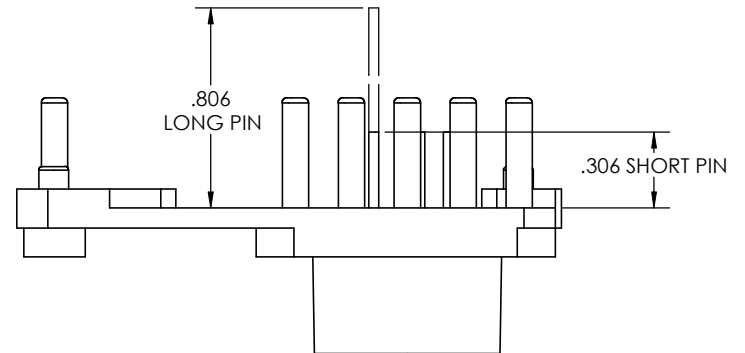
PIN OPTION  
L = LONG PIN  
N = NORMAL PIN



OPTION A (KEYWAY)



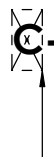
OMIT THIS KEYWAY FOR THE 4 KEYWAY OPTION



OPTION A AND B BILL OF MATERIALS				
ITEM	QTY / ASSY	PART NUMBER	NAME	COMMENTS
5N	1	SN0017-1-X	CONNECTOR PIN ASSEMBLY	5 KEYWAY, SHORT PIN. X DETERMINES DATA PIN LOCATIONS. SEE OPTION C.
5L	1	SN0017-2-X	CONNECTOR PIN ASSEMBLY	5 KEYWAY, LONG PIN. X DETERMINES DATA PIN LOCATIONS. SEE OPTION C.
4N	1	SN0017-3-X	CONNECTOR PIN ASSEMBLY	4 KEYWAY, SHORT PIN. X DETERMINES DATA PIN LOCATIONS. SEE OPTION C.
4L	1	SN0017-4-X	CONNECTOR PIN ASSEMBLY	4 KEYWAY, LONG PIN. X DETERMINES DATA PIN LOCATIONS. SEE OPTION C.

PART NUMBER: SN0019-A B C-D-E

DATA / POGO PIN LOCATION  
A = ALL 6 LOCATIONS  
N = NO PINS INSTALLED  
1 - 6 = SPECIFY LOCATION(S) SEE FIG. 1.



OPTION B (POWER PIN)

PART NUMBER: SN0019-X  
**SupplyNet** 614 CORPORATE WAY  
SUITE 9H VALLEY COTTAGE, NY 10989

TITLE:  
**CONNECTOR ASSEMBLY**

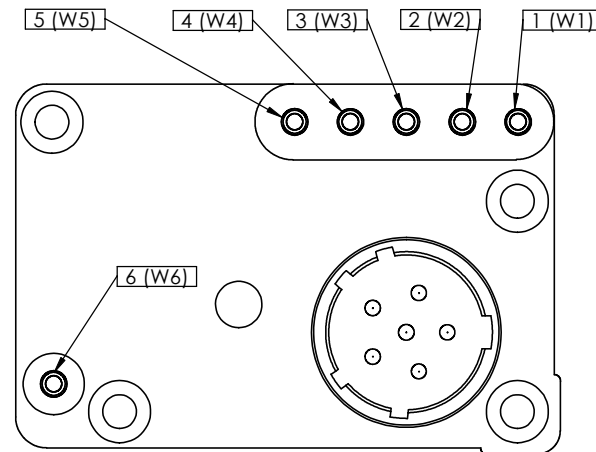
**PROPRIETARY AND CONFIDENTIAL**  
THE INFORMATION CONTAINED IN THIS DRAWING IS THE SOLE PROPERTY OF SUPPLYNET, INC. ANY REPRODUCTION IN PART OR AS A WHOLE WITHOUT THE WRITTEN PERMISSION OF SUPPLYNET INC. IS PROHIBITED.

SIZE <b>B</b>	DWG. NO. <b>SN0019</b>	REV <b>A</b>
CAGE CODE: 1HJX9	SCALE: NA	WEIGHT: SHEET 3 OF 4

FIGURE 2. ENCLOSURE AND STRAP BILL OF MATERIALS

ENCLOSURE AND STRAP BILL OF MATERIALS			
ITEM	QTY / ASSY	PART NUMBER	NAME
4	1	SN0010-1	ENCLOSURE
6	1	SN0011-1	GROMMET
7	1	SN0013-1	VELCRO STRAP
8	2	SN0015-1	STRAP MOUNTING WASHER
9	2	SN0014-1	STRAP MOUNTING SCREW

FIGURE 1. CONTACT PIN LOCATIONS



PART NUMBER: SN0019-A B C-D-E

**ENCLOSURE & STRAP** (SN0011-1 (GROMMET) SUPPLIED WITH ENCLOSURE).  
 0 = OMITTED  
 1 = PROVIDED, NOT FASTENED (SEE FIG 2 FOR ENCLOSURE & STRAP BOM).  
 2 = STRAP AND STRAP HARDWARE.  
 3 = STRAP ONLY  
 4 = ENCLOSURE AND GROMMET ONLY

**PRINTED CIRCUIT BOARD OPTION**  
 0 = NOT PROVIDED  
 1 = PROVIDED, NOT SOLDERED  
 2 = CUSTOM PCB PN SN0225 (PROVIDED NOT SOLDERED)

**PART NUMBER EXAMPLE: SN0019-5N1356-1-1**

**PART NUMBER DESCRIPTION:** THE ABOVE PART NUMBER IS A 5 KEYWAY / NORMAL PIN CONFIGURATION WITH THE PCB PROVIDED. IT ALSO HAS CONTACT PINS IN LOCATIONS 1, 3, 5, AND 6. THE ENCLOSURE AND STRAP ARE PROVIDED WITH THE REQUIRED HARDWARE. THE PART HAS CAPS PROVIDED.

PART NUMBER: SN0019-X

**SupplyNet** 614 CORPORATE WAY  
 SUITE 8M  
 VALLEY COTTAGE, NY 10989

TITLE:  
**CONNECTOR ASSEMBLY**

SIZE <b>B</b>	DWG. NO. <b>SN0019</b>	REV <b>A</b>
------------------	---------------------------	-----------------

**PROPRIETARY AND CONFIDENTIAL**  
 THE INFORMATION CONTAINED IN THIS DRAWING IS THE SOLE PROPERTY OF SUPPLYNET, INC. ANY REPRODUCTION IN PART OR AS A WHOLE WITHOUT THE WRITTEN PERMISSION OF SUPPLYNET INC. IS PROHIBITED.

CAGE CODE: 1HJX9 SCALE: NA WEIGHT: SHEET 4 OF 4