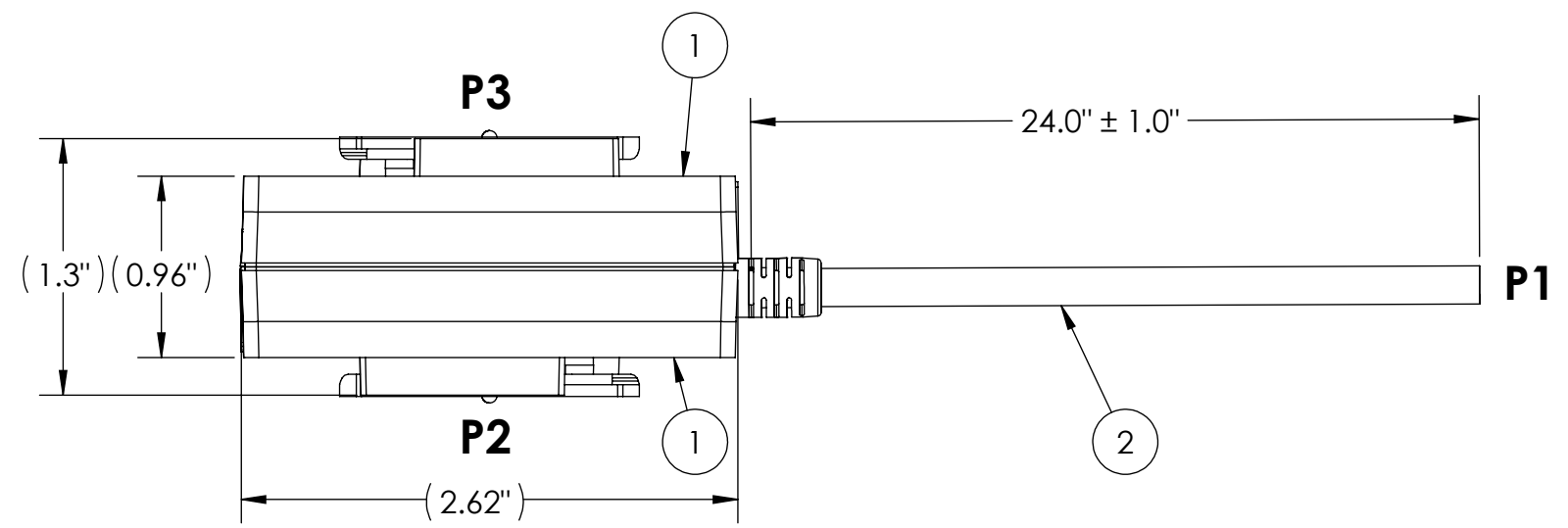
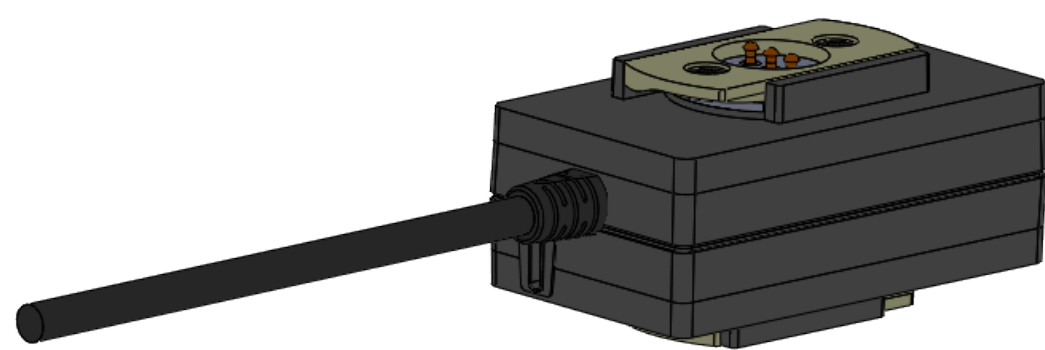
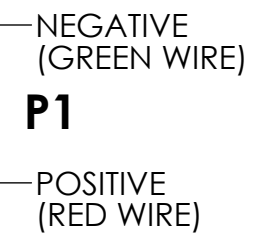
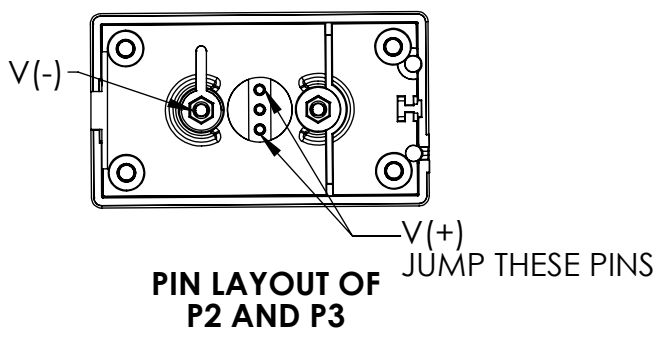
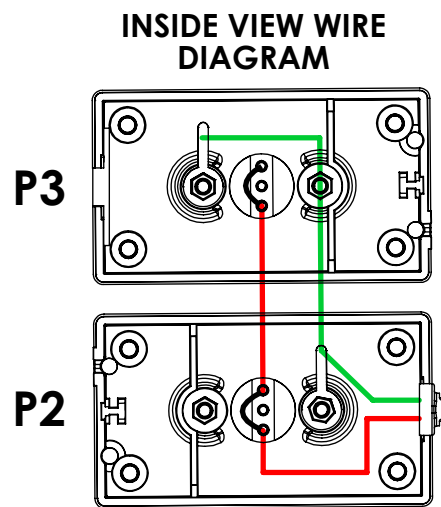


TABLE 1: WIRING				
P1	WIRE COLORS	P2	WIRE COLORS	P3
POSITIVE	RED	V(+)	RED	V(+)
NEGATIVE	GREEN	V(-)	GREEN	V(-)

REV	DATE	DESCRIPTION OF CHANGE	ENG
A	03/26/18	INITIAL RELEASE	LS



- NOTES:**
- SOLDERING IPC-J-STD-001 CLASS II AS APPLICABLE.
 - CABLE ASSEMBLIES TO BE TESTED 100% FOR CONTINUITY, SHORTS, AND INSULATION RESISTANCE.
 - IDENTIFICATION: BAG AND IDENTIFY ON PACKAGING THE FOLLOWING INFORMATION FOR EACH PART DELIVERED. UOS PART MARKING ON THE WIRE IS PROHIBITED:
PN: SN-1034-12V REV X (REV MARKING PER PO)
CAGE CODE: 1HJX9
DATE OF MFG: MM/YY
 - WIRE PER TABLE 1.
 - MANUFACTURE AND INSPECT IAW IPC/WHMA A-620 CLASS 2.

TABLE 2: BILL OF MATERIALS			
ITEM NO.	PART NO	QTY	NAME/DESCRIPTION
1	SN-799	2	MBITR BATTERY CONNECTOR
2	202C-V04A	27"	CABLE, 20AWG *2C, 4.6MM OD

UNLESS OTHERWISE SPECIFIED:		NAME	DATE	REF. NUMBER: SN0516
DIMENSIONS ARE IN: INCHES		DRAWN	LS	706 EXECUTIVE BLVD. SUITE B VALLEY COTTAGE, NY 10989
TOLERANCES: .XX: ± 0.03 .XXX: ± 0.005		CHECKED	RB	
ANGULAR: .X°: 1° .XX°: 0.5°		COMMENTS:		TITLE: PRC-148/152 DUAL BATTERY ADAPTOR UNTERMINATED, 12V
BREAK EDGES: .005 - .020 FILLETS: .005 - .020 SURFACE FINISH:		<p>PROPRIETARY AND CONFIDENTIAL</p> <p>THE INFORMATION CONTAINED IN THIS DRAWING IS THE SOLE PROPERTY OF SUPPLYNET, INC. ANY REPRODUCTION IN PART OR AS A WHOLE WITHOUT THE WRITTEN PERMISSION OF SUPPLYNET INC. IS PROHIBITED.</p>		SIZE DWG. NO. REV
GEOMETRIC TOLERANCING PER: ASME Y14.5 -2009		<p>CAGE CODE: 1HJX9</p>		B SN-1034-12V A
MATERIAL: SEE DRAWING NOTES		DO NOT SCALE DRAWING		SCALE: NA WEIGHT: SHEET 1 OF 1
FINISH: SEE DRAWING NOTES				