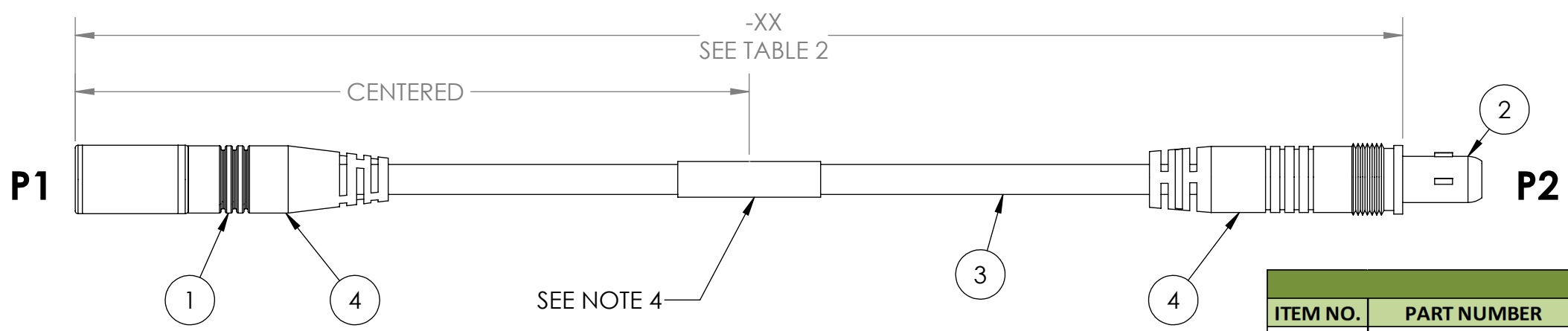
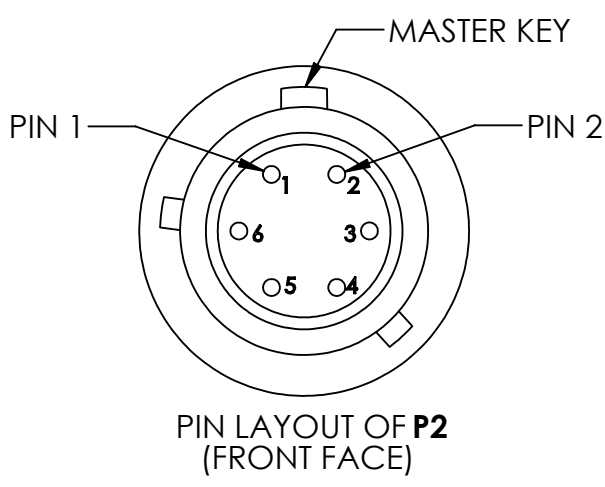
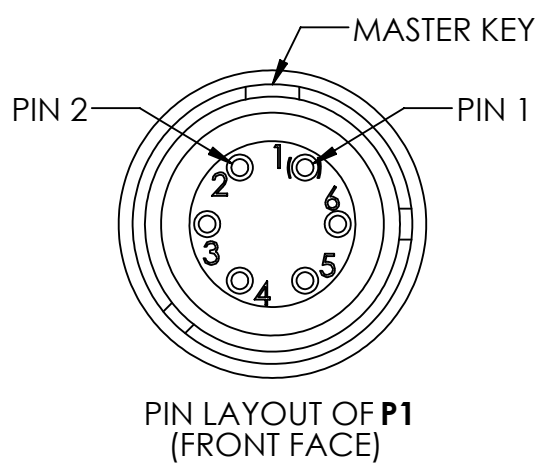


| TABLE 1: WIRE RUN LIST | | |
|------------------------|--------|-------------|
| P1 (ITEM 1) | COLOR | P2 (ITEM 2) |
| 1 | RED | 1 |
| 2 | BLACK | 2 |
| 3 | BROWN | 3 |
| 4 | GREEN | 4 |
| 5 | WHITE | 5 |
| 6 | ORANGE | 6 |
| SHELL | SHIELD | SHELL |

| TABLE 3: WIRE LENGTH TABLE | | |
|----------------------------|----------------------|--------------------|
| "-XX" FROM P/N | "XX" DIMENSION (IN.) | TOLERANCE (INCHES) |
| 1.5 | 18.0" | ± 0.5" |
| 2 | 24.0" | ± 0.5" |
| 4 | 48.0" | ± 1.0" |
| 7 | 84.0" | ± 2.0" |
| 10 | 120.0" | ± 3.0" |
| 12 | 144.0" | ± 5.0" |
| 14 | 168.0" | ± 5.5" |

| REVISIONS | | | |
|-----------|---|-----------|-----|
| REV. | DESCRIPTION | DATE | ENG |
| C | ADDED BANDING CLAMPS | 01/26/21 | TC |
| | REDRAWN WITHOUT CHANGE. ADDED TWISTED PAIR NOTE | 8/31/2022 | MOB |



| BILL OF MATERIALS | | | |
|-------------------|--------------------|-----|---|
| ITEM NO. | PART NUMBER | QTY | NAME/DESCRIPTION |
| 1 | 807-348-01ZNU6-6SY | 1 | CONNECTOR, FEMALE, GLENAIR PN /w OVERMOLD |
| 2 | 807-309-06ZNU6-6PY | 1 | CONNECTOR, MALE, GLENAIR PN /w OVERMOLD |
| 3 | 88006SS7.AB | XX | 6C WIRE |
| 4 | BE-04 | 2 | MICRO BANDING CLAMP |

- NOTES:**
- SOLDERING IPC-J-STD-001 CLASS II AS APPLICABLE.
 - CABLE ASSEMBLIES TO BE TESTED 100% FOR CONTINUITY, SHORTS, AND INSULATION RESISTANCE.
 - IDENTIFICATION: BAG AND IDENTIFY ON PACKAGING THE FOLLOWING INFORMATION FOR EACH PART DELIVERED. UOS PART MARKING ON THE WIRE IS PROHIBITED:
PN: SN-1242-XX REV X (REV MARKING PER PO)
CAGE CODE: 1HJX9
DATE OF MFG: MM/YY
 - WIRE PER TABLE 1.

UNLESS OTHERWISE SPECIFIED:
 DIMENSIONS ARE IN: INCHES
 TOLERANCES: .XX: ± 0.03
 .XXX: ± 0.005
 ANGULAR: .X°: 1°
 .XX': 0.5°
 BREAK EDGES: .005 - .020
 FILLETS: .005 - .020
 SURFACE FINISH:
 GEOMETRIC TOLERANCING PER: ASME Y14.5 -2009
 MATERIAL: SEE DRAWING NOTES
 FINISH: SEE DRAWING NOTES
 DO NOT SCALE DRAWING

| | NAME | DATE |
|---|------|----------|
| DRAWN | TC | 10/26/20 |
| CHECKED | RJB | 10/26/20 |
| COMMENTS: | | |
| PROPRIETARY AND CONFIDENTIAL THE INFORMATION CONTAINED IN THIS DRAWING IS THE SOLE PROPERTY OF SUPPLYNET, INC. ANY REPRODUCTION IN PART OR AS A WHOLE WITHOUT THE WRITTEN PERMISSION OF SUPPLYNET INC. IS PROHIBITED. | | |
| CAGE CODE: 1HJX9 | | |

REF. NUMBER: SNO421

SupplyNet 706 EXECUTIVE BLVD. SUITE B VALLEY COTTAGE, NY 10989

TITLE: **Nett Warrior C1 Extension Cable**
Cross Reference : Star-Pan 808-047

| | | |
|---------------|----------------------------|--------------|
| SIZE B | DWG. NO. SN-1242-XX | REV C |
| SCALE: NA | WEIGHT: | SHEET 1 OF 1 |