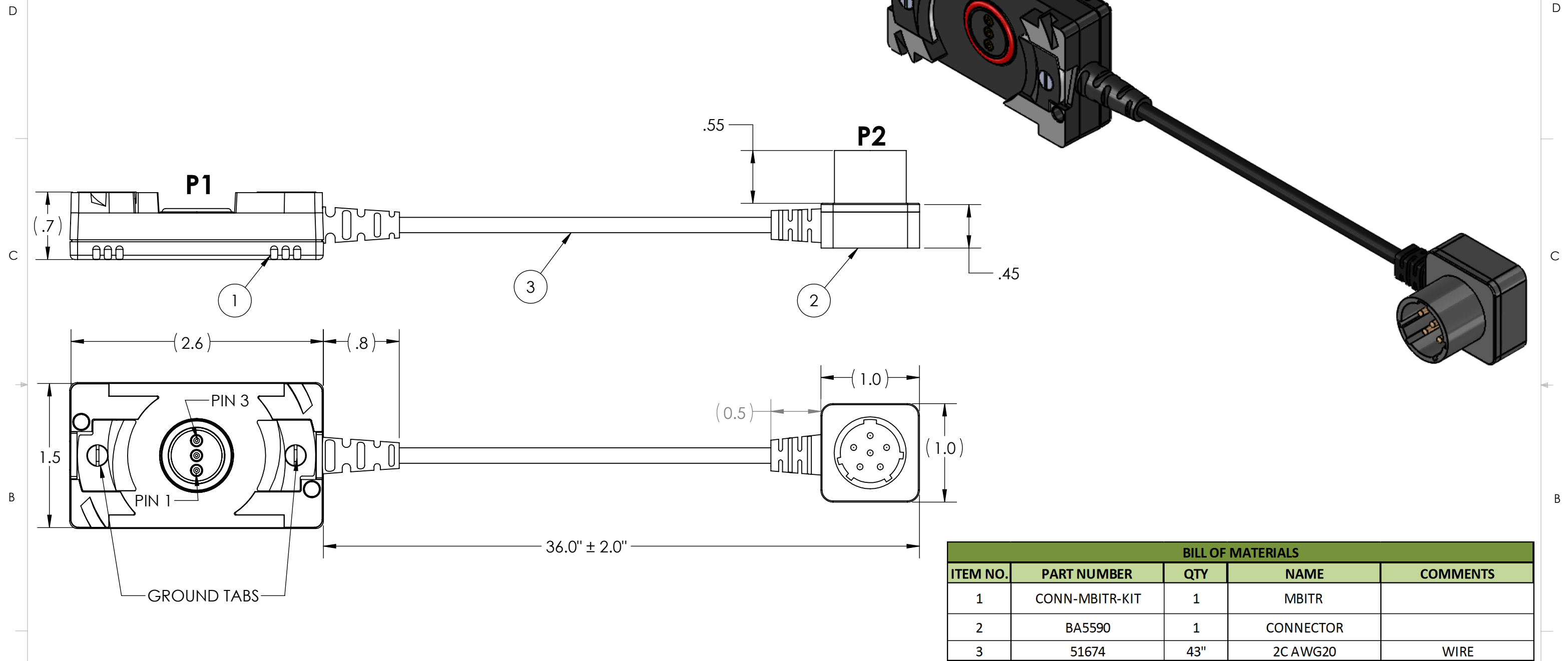


TABLE 1. WIRE RUN LIST		
P1 (BA5590)	WIRE COLOR	P2 (MBITR)
1,2	GREEN	GROUND (SEE NOTE 4)
4	RED	1
5	WHITE	3

REV	DATE	DESCRIPTION OF CHANGE	ENG
D	11/28/17	UPDATED WIRE LENGTH	LS



BILL OF MATERIALS				
ITEM NO.	PART NUMBER	QTY	NAME	COMMENTS
1	CONN-MBITR-KIT	1	MBITR	
2	BA5590	1	CONNECTOR	
3	51674	43"	2CAWG20	WIRE

- NOTES:
- 1) SOLDERING TO BE IAW IPC-J-STD-001 AS APPLICABLE.
 - 2) WIRING PER TABLE 1
 - 3) REFERENCE SUPPLYNET FILE NUMBER SN0084.
 - 4) GREEN WIRE IS ATTACHED TO BOTH GROUND TABS.
 - 5) INSTALL SCHOTTKY DIODES PER TABLE 1.

UNLESS OTHERWISE SPECIFIED:
 DIMENSIONS ARE IN: INCHES
 TOLERANCES: .XX: ± 0.03
 .XXX: ± 0.005
 ANGULAR: .X°: 1°
 .XX°: 0.5°
 BREAK EDGES: .005 - .020
 FILLETS: .005 - .020
 SURFACE FINISH:
 GEOMETRIC TOLERANCING
 PER: ASME Y14.5 -2009
 MATERIAL: SEE DRAWING NOTES
 FINISH: SEE DRAWING NOTES
 DO NOT SCALE DRAWING

NAME	DATE
DRAWN: RJB	04/11/13
CHECKED: RJB	04/11/13
COMMENTS:	

REF. NUMBER: SN0084
SupplyNet 706 EXECUTIVE BLVD.
 SUITE B
 VALLEY COTTAGE, NY 10989

TITLE:
 PRC-148 MBITR / PRC152
 TO BA5590 ADAPTOR

SIZE	DWG. NO.	REV
B	SN-200	D

SCALE: NA WEIGHT: SHEET 1 OF 1

CAGE CODE: 1HJX9