

WIRE CONNECTIONS	
SAE CONNECTOR	MWA 150 WIRE COLORS
- (GROUND)	WHITE (16 AWG)
- (GROUND)	BLACK (16 AWG)
+ 24VDC	BLUE (16 AWG)
+ 24VDC	RED (16 AWG)

REV	DATE	DESCRIPTION OF CHANGE	ENG
D	3/9/2020	UPDATED POWER SUPPLY DIMENSIONS & WIRE LENGTH	TC

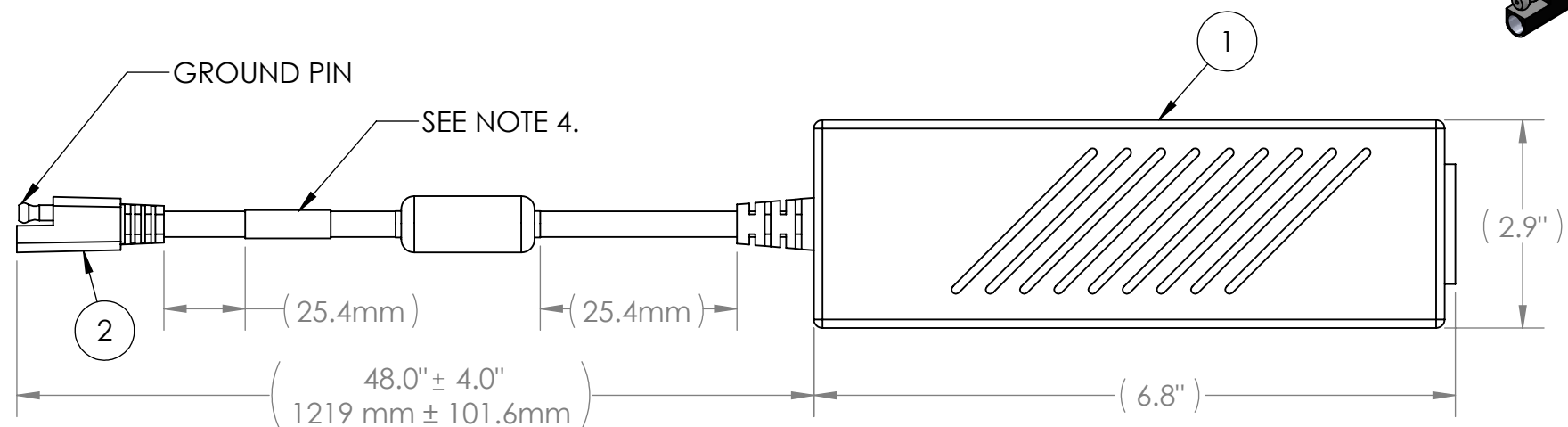
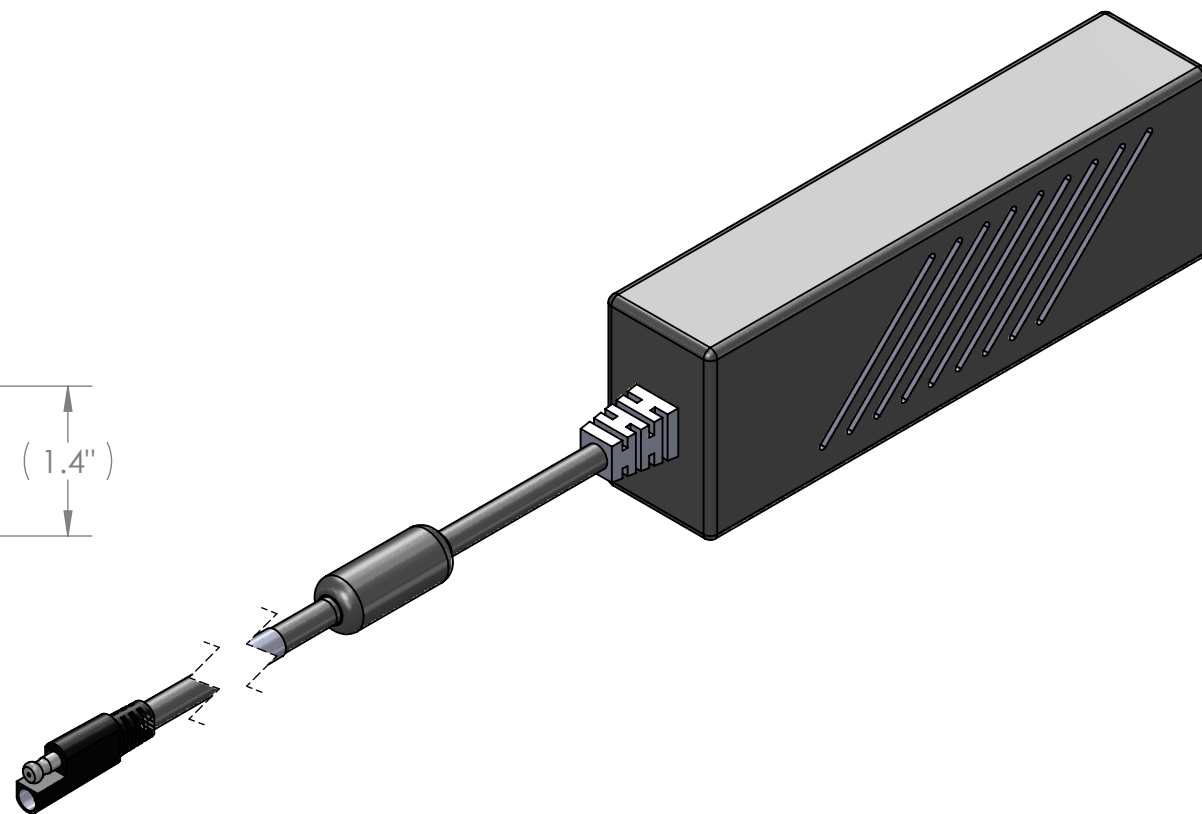
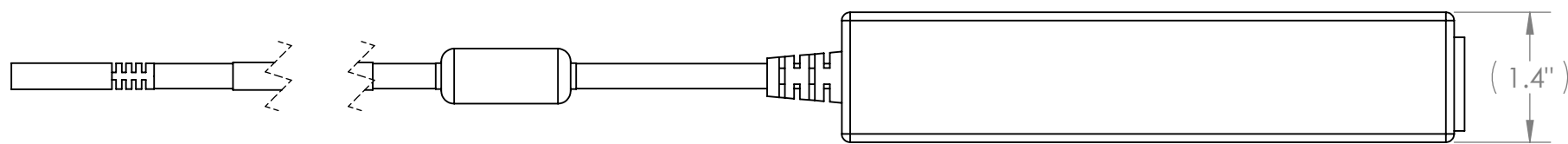


TABLE 2: BILL OF MATERIALS			
ITEM NO.	PART NO	QTY	NAME/DESCRIPTION
1	GST160A24-R7B	1	MEANWELL 160W 24V 6.67A AC Adapter
2	tba	1	SAE Connector

NOTES:
 1) INPUT VOLTAGE: 100 - 240 VAC.
 2) OUTPUT VOLTAGE: 24VDC @ 6.3 AMPS.
 3) INCLUDES POWER CABLE NOT SHOWN.
 4) IDENTIFICATION: IDENTIFY ON THE PART THE FOLLOWING INFORMATION FOR EACH PART DELIVERED. UOS PART MARKING ON THE WIRE IS PROHIBITED.
PN: SN-24V-SAE REV X (REV MARKING PER PO)
CAGE CODE: 1HJX9
DATE OF MFG: MM/YY

UNLESS OTHERWISE SPECIFIED:
 DIMENSIONS ARE IN: INCHES
 TOLERANCES: .XX: ± 0.03
 .XXX: ± 0.005
 ANGULAR: .X°: 1°
 .XX°: 0.5°
 BREAK EDGES: .005 - .020
 FILLETS: .005 - .020
 SURFACE FINISH:
 GEOMETRIC TOLERANCING PER: ASME Y14.5-2009
 MATERIAL: SEE DRAWING NOTES
 FINISH: SEE DRAWING NOTES
 DO NOT SCALE DRAWING

NAME	DATE
DRAWN: RJB	12/17/13
CHECKED: RJB	12/17/13
COMMENTS:	

PROPRIETARY AND CONFIDENTIAL
 THE INFORMATION CONTAINED IN THIS DRAWING IS THE SOLE PROPERTY OF SUPPLYNET, INC. ANY REPRODUCTION IN PART OR AS A WHOLE WITHOUT THE WRITTEN PERMISSION OF SUPPLYNET INC. IS PROHIBITED.

REF. NUMBER: SN0235
SupplyNet 706 EXECUTIVE BLVD.
 SUITE B
 VALLEY COTTAGE, NY 10989
 TITLE:
24 V POWER SUPPLY WITH SAE CONNECTOR
 SIZE **B** DWG. NO. **SN-24V-SAE** REV **D**
 SCALE: NA WEIGHT: SHEET 1 OF 1