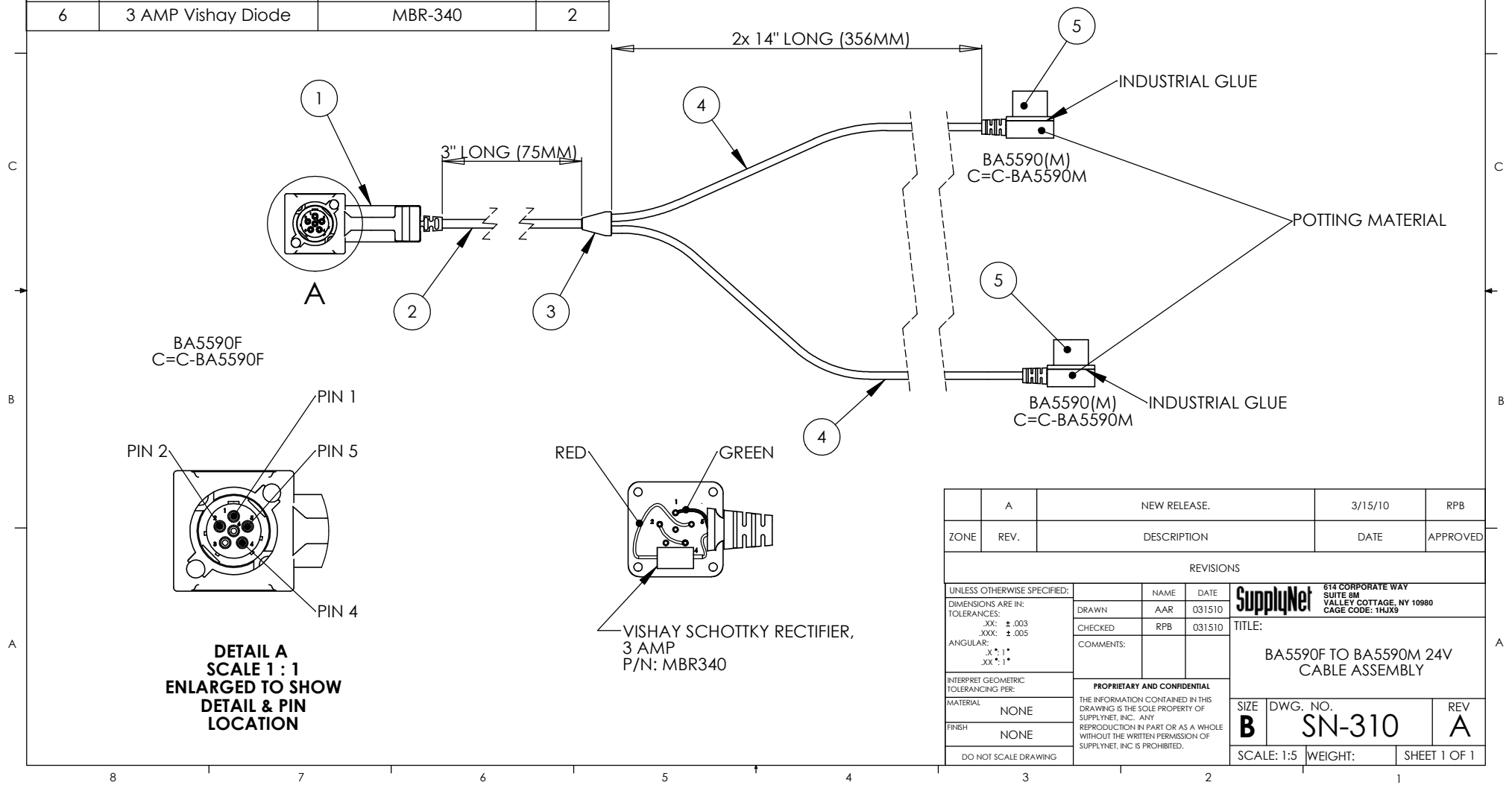


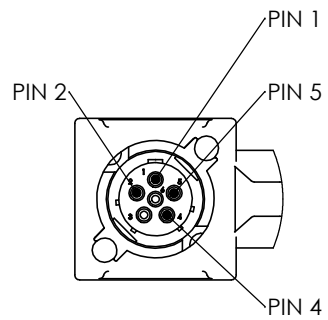
ITEM	DESCRIPTION	PART NUMBER	QTY.
1	6 PIN FEMALE	BA5590F	1
2	18 AWG, 4 COND, WIRE	TBD	3"
3	Y- SPLITTER	YS14-0675	1
4	20 AWG, 4 COND, WIRE	TBD	14"
5	6 PIN MALE	BA5590M	2
6	3 AMP Vishay Diode	MBR-340	2

BA-5590 (F)	COLORS	BA-5590 (M)x2
1	RED	1
2	NC	2
4	NC	4
5	WHITE	5

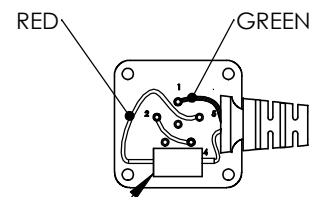
JUMPED



BA5590F
C=C-BA5590F



**DETAIL A
SCALE 1 : 1
ENLARGED TO SHOW
DETAIL & PIN
LOCATION**



VISHAY SCHOTTKY RECTIFIER,
3 AMP
P/N: MBR340

ZONE	REV.	DESCRIPTION	DATE	APPROVED
A		NEW RELEASE.	3/15/10	RPB
REVISIONS				
UNLESS OTHERWISE SPECIFIED:		NAME	DATE	
DIMENSIONS ARE IN:		AAR	031510	
TOLERANCES:		CHECKED	RPB	031510
.XX: ± .003		COMMENTS:		
.XXX: ± .005				
ANGULAR:				
.X °: 1°				
.XX °: 1°				
INTERPRET GEOMETRIC TOLERANCING PER:		PROPRIETARY AND CONFIDENTIAL		
MATERIAL: NONE		THE INFORMATION CONTAINED IN THIS DRAWING IS THE SOLE PROPERTY OF SUPPLYNET, INC. ANY REPRODUCTION IN PART OR AS A WHOLE WITHOUT THE WRITTEN PERMISSION OF SUPPLYNET, INC IS PROHIBITED.		
FINISH: NONE				
DO NOT SCALE DRAWING				
		SupplyNet 614 CORPORATE WAY SUITE 8M VALLEY COTTAGE, NY 10980 CAGE CODE: 1HJX9		
		TITLE: BA5590F TO BA5590M 24V CABLE ASSEMBLY		
SIZE	DWG. NO.	REV		
B	SN-310	A		
SCALE: 1:5		WEIGHT:	SHEET 1 OF 1	