

REV	DATE	DESCRIPTION OF CHANGE	ENG
B	08/05/19	UPDATED LENGTH TOLERANCE	TC

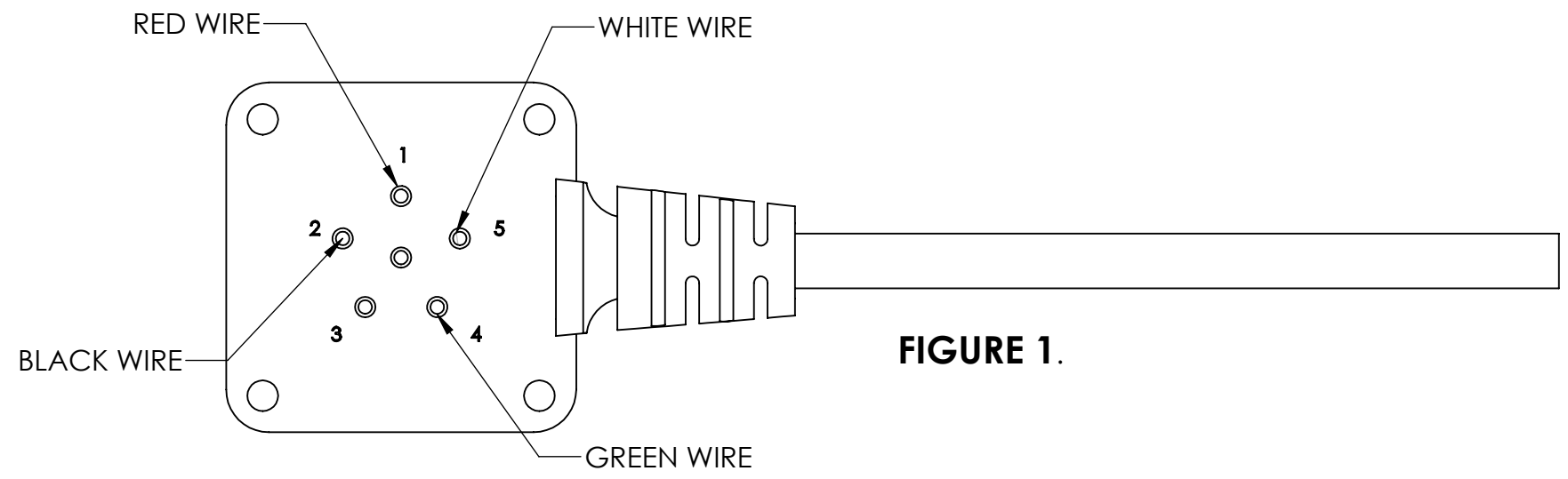


FIGURE 1.

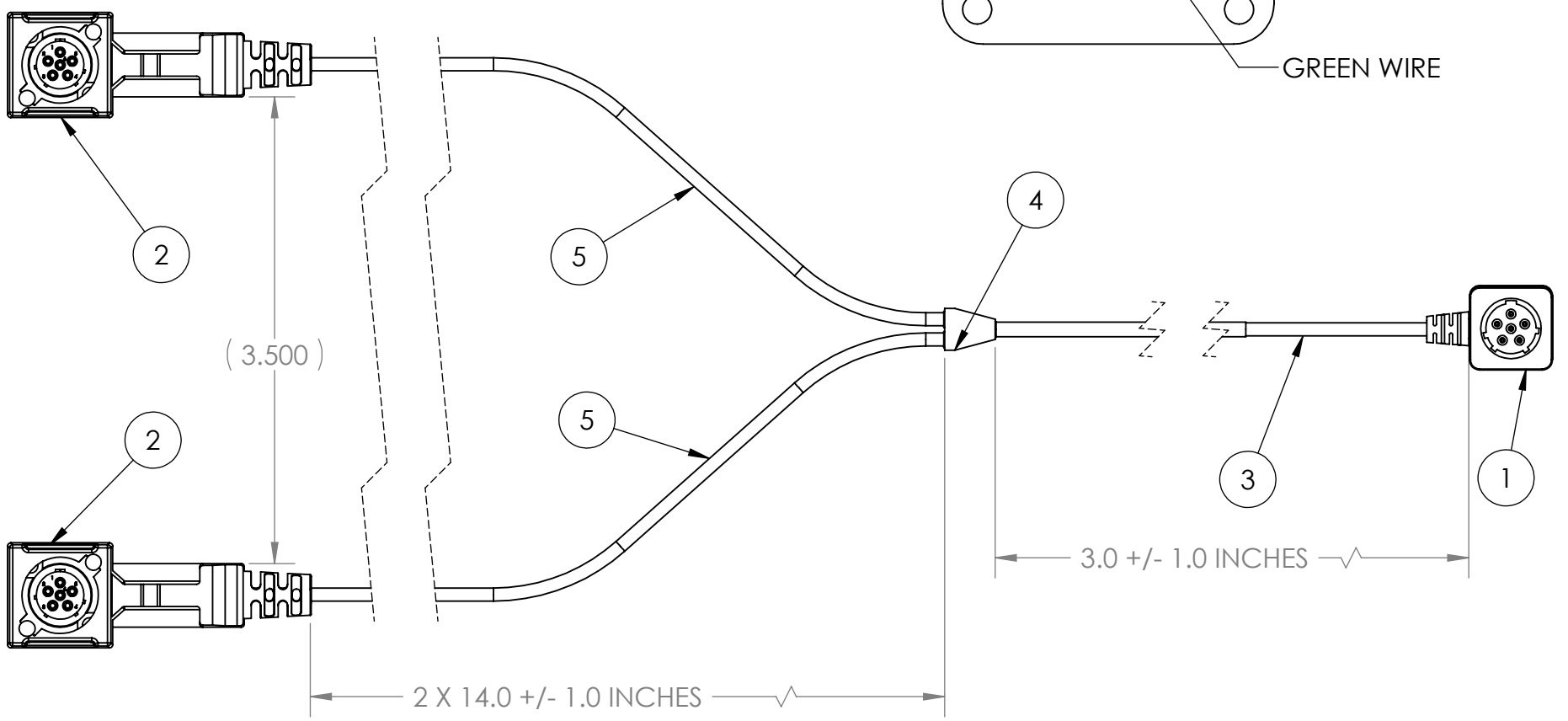


TABLE 1		
CONN-BA5590-FC (ITEM 2)	WIRE COLORS	BA-5590M (ITEM 1)
1	RED	1
2	BLACK	2
4	GREEN	4
5	WHITE	5

BILL OF MATERIALS			
ITEM NUMBER	PART NUMBER	QTY.	DESCRIPTION
1	BA5590M	1	6 PIN MALE
2	CONN-BA5590-FC	2	6 PIN FEMALE
3	184C-V01A-1016	4"	18 AWG, 4 COND WIRE
4	YS14-0675	1	Y-SPLITTER
5	204C-V02A-0103	33"	20 AWG, 4 COND WIRE
6	MBRSQ8400	2	8 AMP VISHAY DIODE

NOTES:
 1) WIRE PER TABLE 1 AND FIGURE 1.
 2) REFERENCE SUPPLYNET FILE NUMBER SN0119.

UNLESS OTHERWISE SPECIFIED:
 DIMENSIONS ARE IN: INCHES
 TOLERANCES: .XX: ± 0.03
 .XXX: ± 0.005
 ANGULAR: .X°: 1°
 .XX°: 0.5°
 BREAK EDGES: .005 - .020
 FILLETS: .005 - .020
 SURFACE FINISH:
 GEOMETRIC TOLERANCING
 PER: ASME Y14.5 -2009
 MATERIAL: SEE DRAWING NOTES
 FINISH: SEE DRAWING NOTES
 DO NOT SCALE DRAWING

NAME	DATE
DRAWN: RJB	05/20/13
CHECKED: RJB	05/20/13
COMMENTS:	

PROPRIETARY AND CONFIDENTIAL
 THE INFORMATION CONTAINED IN THIS DRAWING IS THE SOLE PROPERTY OF SUPPLYNET, INC. ANY REPRODUCTION IN PART OR AS A WHOLE WITHOUT THE WRITTEN PERMISSION OF SUPPLYNET INC. IS PROHIBITED.

PART NUMBER: SN-312

SupplyNet 706 EXECUTIVE BLVD.
 SUITE B
 VALLEY COTTAGE, NY 10989

TITLE:
**BA5590 SPLITTER MALE,
 TO DUAL BA5590 FEMALE.**

SIZE B	DWG. NO. SN-312	REV B
SCALE: NA	WEIGHT:	SHEET 1 OF 1

CAGE CODE: 1HJX9