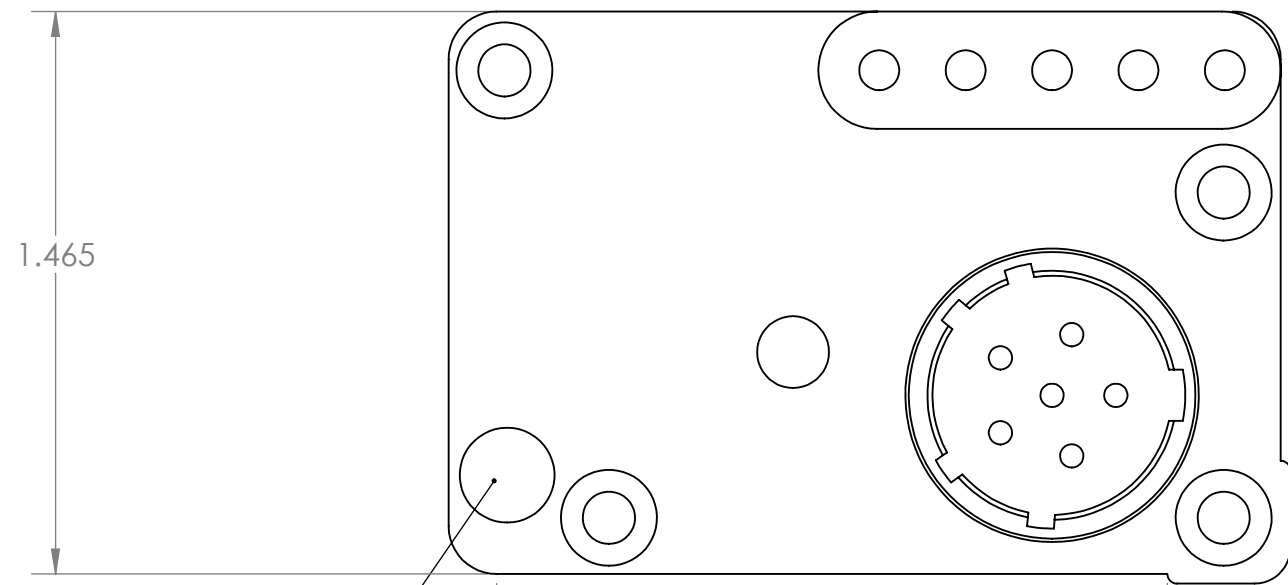
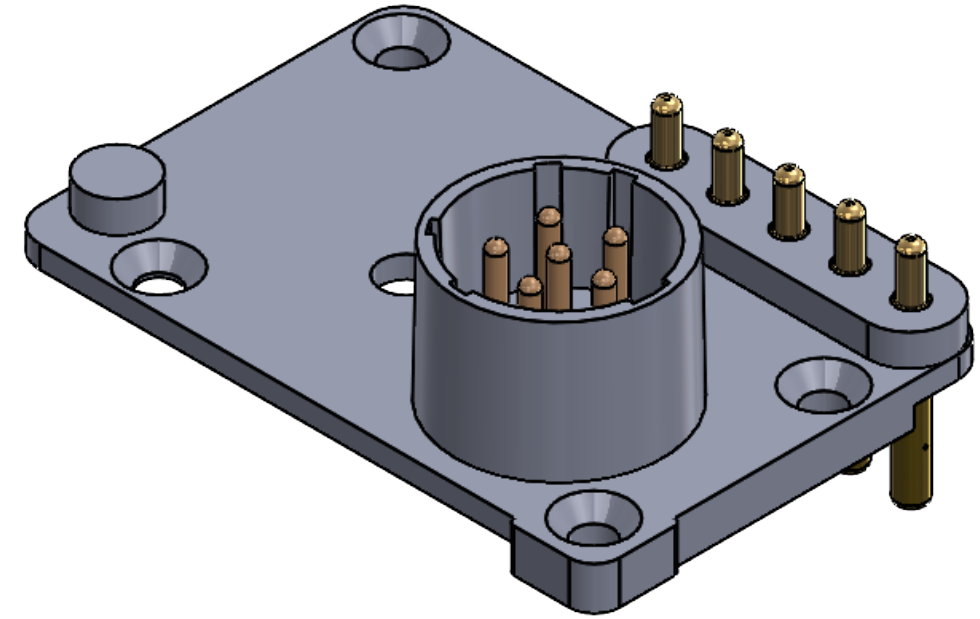
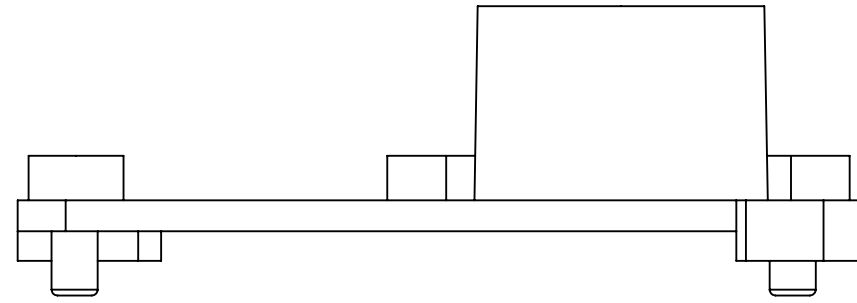


| REVISIONS | | | |
|-----------|-----------------|-----------|-----|
| REV. | DESCRIPTION | DATE | ENG |
| A | INITIAL RELEASE | 8/27/2019 | MOB |



No charge enable pin

| | | | | |
|---|--|---|--------------|--|
| UNLESS OTHERWISE SPECIFIED: | | NAME | DATE | SupplyNet 706 EXECUTIVE BLVD. SUITE B VALLEY COTTAGE, NY 10989 |
| DIMENSIONS ARE IN: INCHES | | DRAWN | XX 8/27/2019 | |
| TOLERANCES: .XX: ± 0.03 | | CHECKED | XX XX/XX/XX | TITLE: |
| .XX: ± 0.005 | | COMMENTS: | | BB-2590 SMBUS Connector 5 Data Pins (no charge enable) |
| ANGULAR: .X°: 1° | | PROPRIETARY AND CONFIDENTIAL THE INFORMATION CONTAINED IN THIS DRAWING IS THE SOLE PROPERTY OF SUPPLYNET, INC. ANY REPRODUCTION IN PART OR AS A WHOLE WITHOUT THE WRITTEN PERMISSION OF SUPPLYNET INC. IS PROHIBITED. | | SIZE |
| .XX°: 0.5° | | CAGE CODE: 1HJX9 | | DWG. NO. |
| BREAK EDGES: .005 - .020 | | SCALE: NA WEIGHT: | | REV |
| FILLETS: .005 - .020 | | SHEET 1 OF 1 | | B SN0019-5NA-12345-0-0 A |
| SURFACE FINISH: | | | | |
| GEOMETRIC TOLERANCING PER: ASME Y14.5 -2009 | | | | |
| MATERIAL: SEE DRAWING NOTES | | | | |
| FINISH: SEE DRAWING NOTES | | | | |
| DO NOT SCALE DRAWING | | | | |

REF. NUMBER: SN0019-5NA-12345-0-0

TITLE: BB-2590 SMBUS Connector
5 Data Pins (no charge enable)

SIZE DWG. NO. REV
B SN0019-5NA-12345-0-0 **A**

SCALE: NA WEIGHT: SHEET 1 OF 1