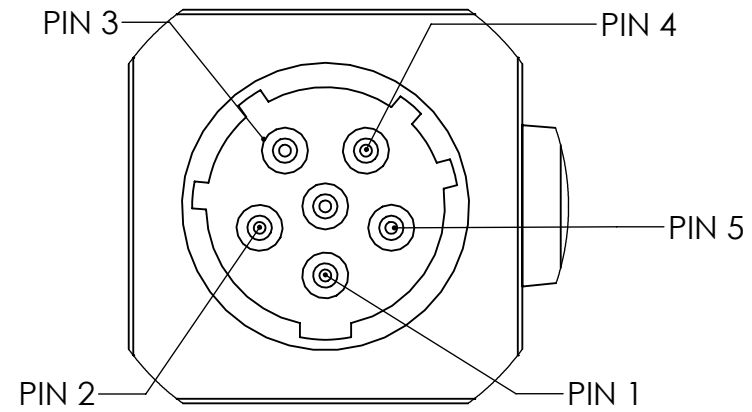
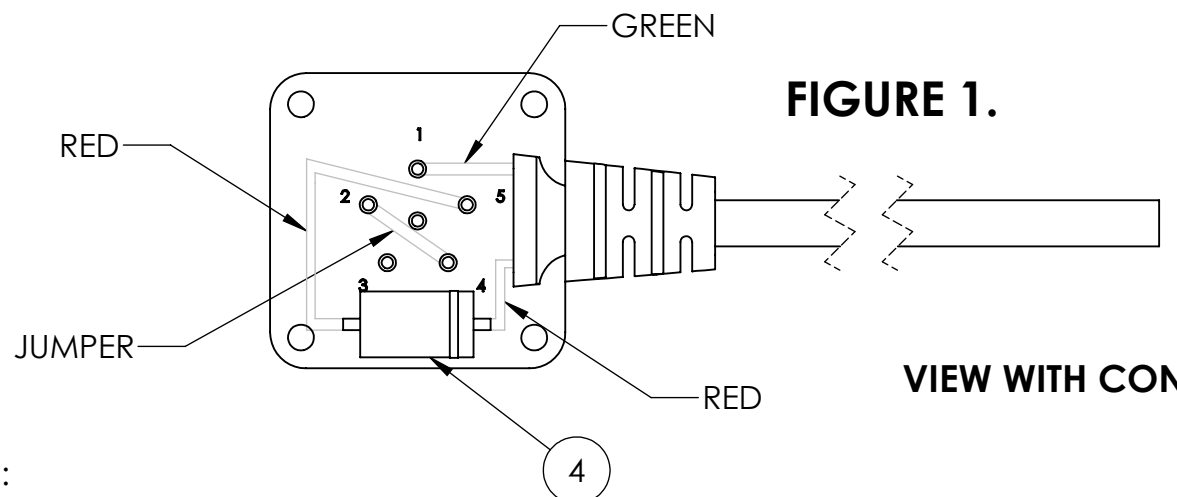
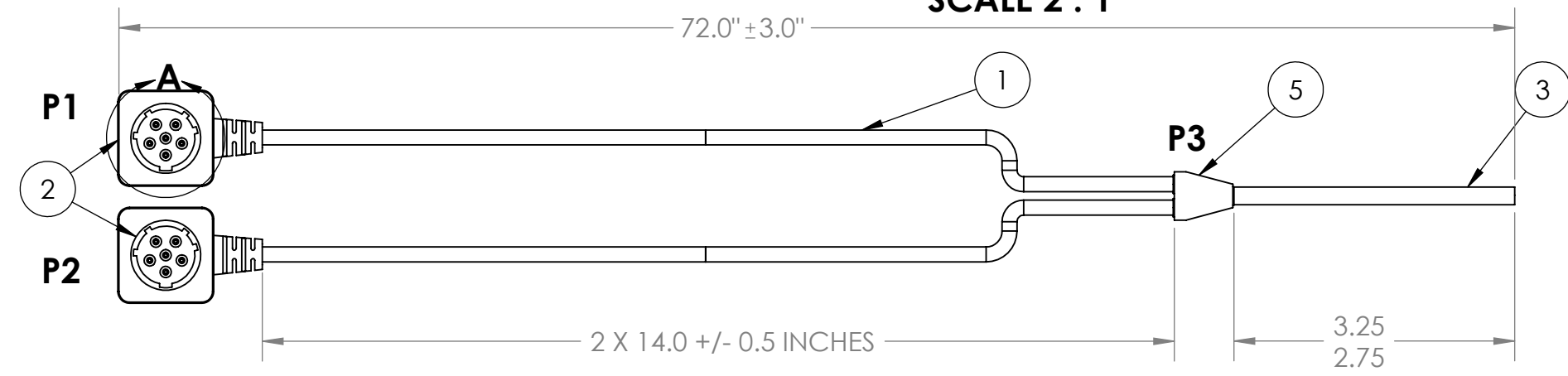
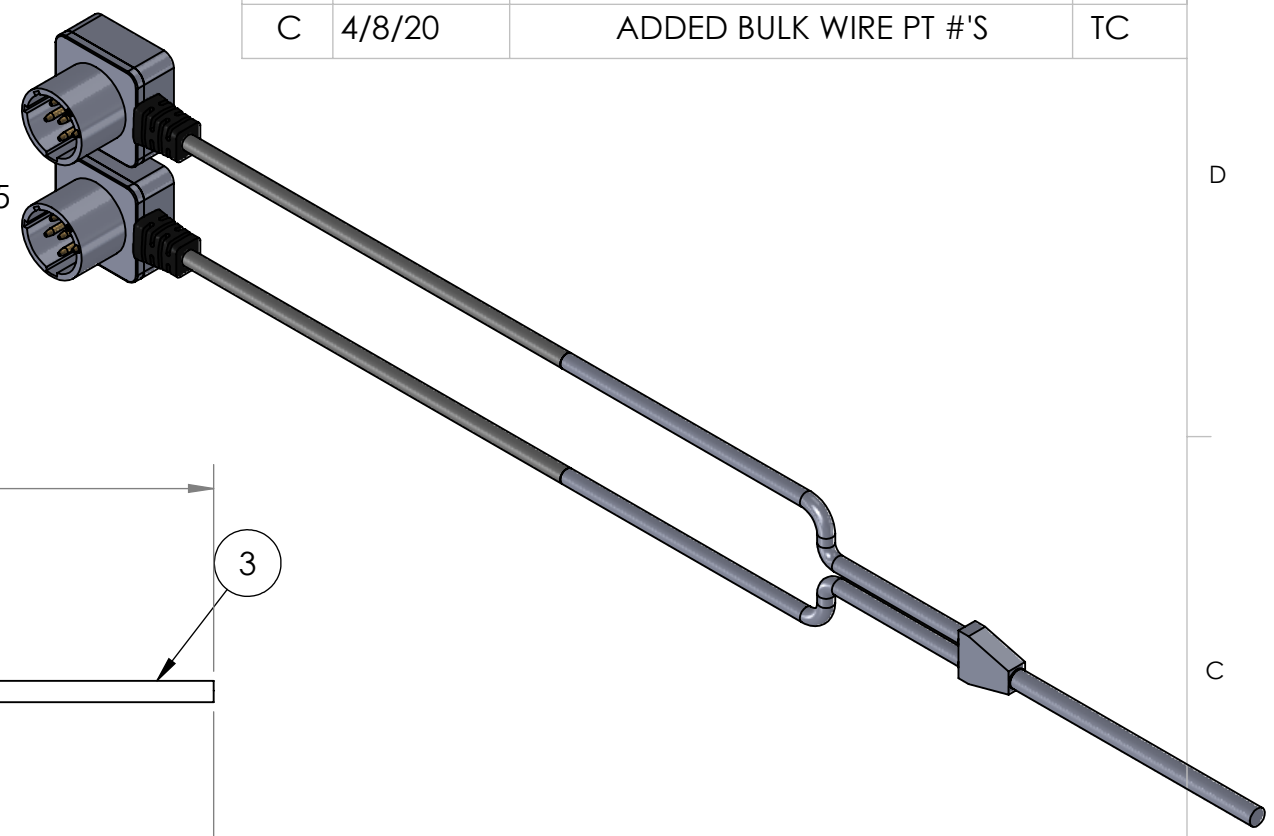


| TABLE 1               |                      |                  |                            |
|-----------------------|----------------------|------------------|----------------------------|
| P1 (PIN)<br>202C-V04A | P2(PIN)<br>202C-V04A | WIRE COLOR       | P3 (SPLITTER)<br>182C-V02B |
| 1                     |                      | GREEN            | BLACK                      |
|                       | 1                    | GREEN            |                            |
| 5                     |                      | RED              | DIODE                      |
|                       | 5                    | RED              | DIODE                      |
| PIN 2 & 4 JUMPED      |                      | PIN 2 & 4 JUMPED |                            |
| SEE FIGURE 1          |                      |                  |                            |



| REV | DATE   | DESCRIPTION OF CHANGE  | ENG |
|-----|--------|------------------------|-----|
| C   | 4/8/20 | ADDED BULK WIRE PT #'S | TC  |



**FIGURE 1.**

**VIEW WITH CONNECTOR BACKSHELL REMOVED**

| BILL OF MATERIALS |             |     |              |                    |
|-------------------|-------------|-----|--------------|--------------------|
| ITEM NO.          | PART NUMBER | QTY | NAME         | COMMENTS           |
| 1                 | 202C-V04A   | 32" | 20 AWG       | 2C CABLE. 4.6MM OD |
| 2                 | BA5590      | 2   | BA-5590 MALE | CONNECTOR          |
| 3                 | 182C-V02B   | 3"  | 18 AWG       | 2C CABLE. 5.0MM OD |
| 4                 | SB1245      | 2   | DIODE        | 45V, 12 AMP        |
| 5                 | YS14-0675   | 1   | Y SPLITTER   |                    |

**NOTES:**

- CONNECT WIRING PER FIGURE 1 AND TABLE 1..
- SOLDERING IAW IPC-J-STD-001 CLASS II AS APPLICABLE.
- CABLE ASSEMBLIES TO BE 100% TESTED FOR CONTINUITY, SHORTS AND INSULATION RESISTANCE (100V @100MOHM MINIMUM)
- IDENTIFICATION: BAG AND IDENTIFY ON PACKAGING THE FOLLOWING INFORMATION FOR EACH PART DELIVERED.  
UOS PART MARKING ON THE WIRE IS PROHIBITED:  
**PN: SN-333-06 REV X (REV MARKING PER PO)**  
**CAGE CODE: 1HJX9**  
**DATE OF MFGR: MM/YY**
- REFERENCE SUPPLYNET FILE NUMBER SN0244.
- MANUFACTURE AND INSPECT IAW IPC/WHMA A-620 CLASS 2.
- FILL EACH CONNECTOR WITH POTTING MATERIAL.
- PLACE A SMALL AMOUNT OF LOCITE 495 ADHESIVE ON EACH POST BEFORE MATING THE TOP AND BOTTOM OF EACH OF THE TWO CONNECTORS.

UNLESS OTHERWISE SPECIFIED:  
 DIMENSIONS ARE IN: INCHES  
 TOLERANCES: .XX: ± 0.03  
 .XXX: ± 0.005  
 ANGULAR: .X°: 1°  
 .XX°: 0.5°  
 BREAK EDGES: .005 - .020  
 FILLETS: .005 - .020  
 SURFACE FINISH:  
 GEOMETRIC TOLERANCING  
 PER: ASME Y14.5 -2009  
 MATERIAL: SEE DRAWING NOTES  
 FINISH: SEE DRAWING NOTES  
 DO NOT SCALE DRAWING

|           | NAME | DATE    |
|-----------|------|---------|
| DRAWN     | RJB  | 9/19/13 |
| CHECKED   | RJB  | 9/19/13 |
| COMMENTS: |      |         |

PART NUMBER: SN-333

**SupplyNet** 706 EXECUTIVE BLVD.  
SUITE B  
VALLEY COTTAGE, NY 10989

TITLE: BA5590 2 WAY, 24V SPLITTER CABLE, UNTERMINATED

|          |                  |          |
|----------|------------------|----------|
| SIZE     | DWG. NO.         | REV      |
| <b>B</b> | <b>SN-333-06</b> | <b>C</b> |

CAGE CODE: 1HJX9

SCALE: NA WEIGHT: SHEET 1 OF 1