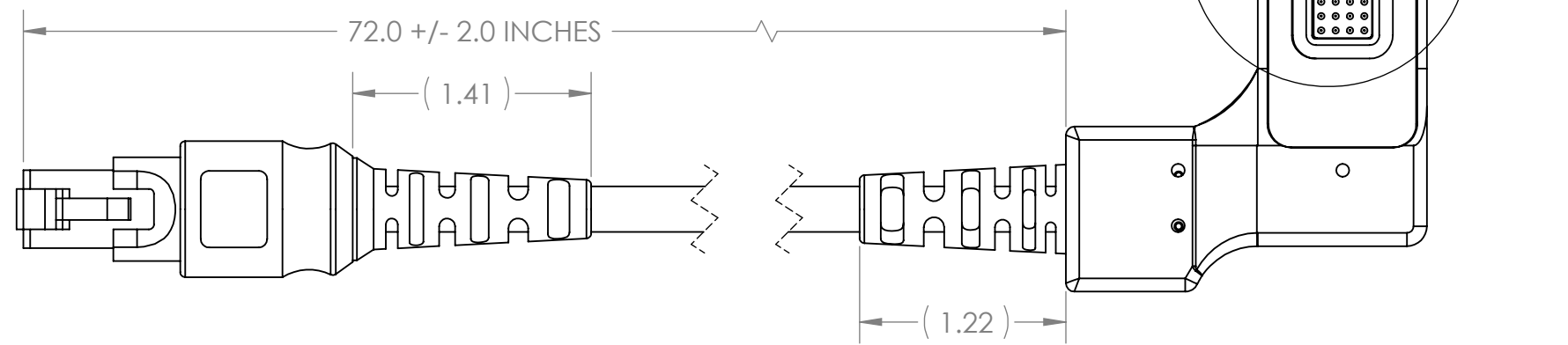
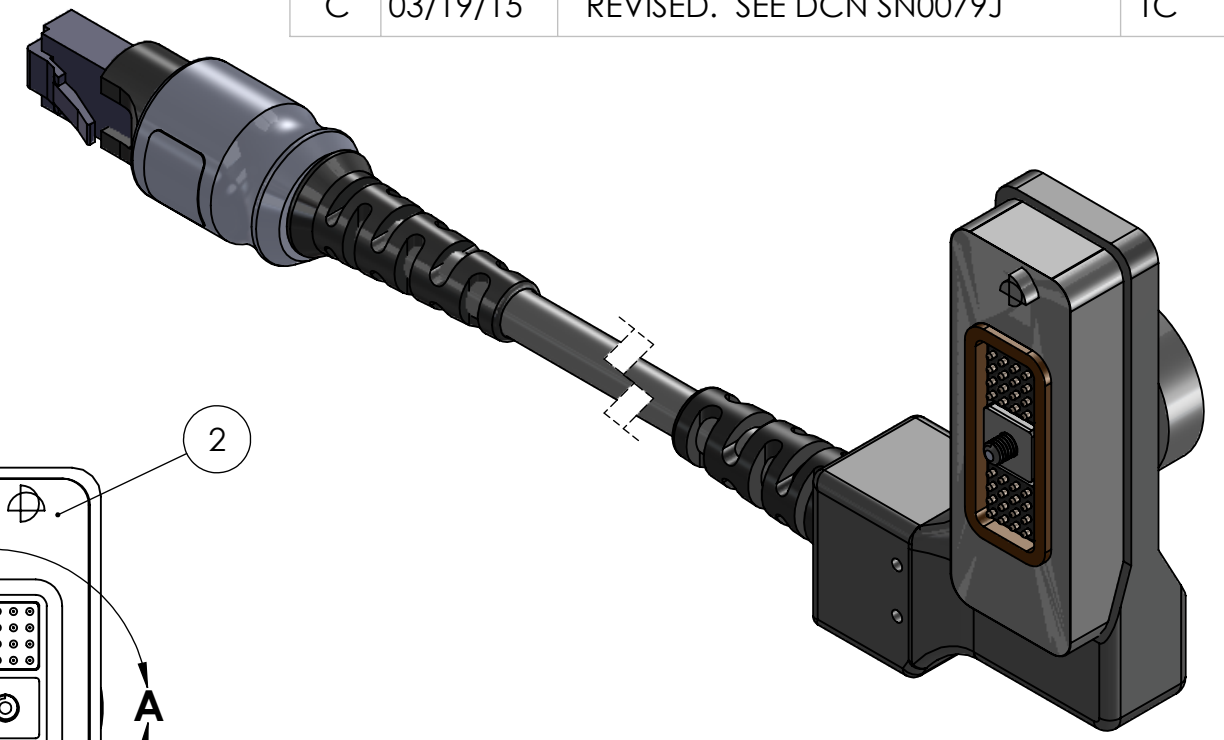
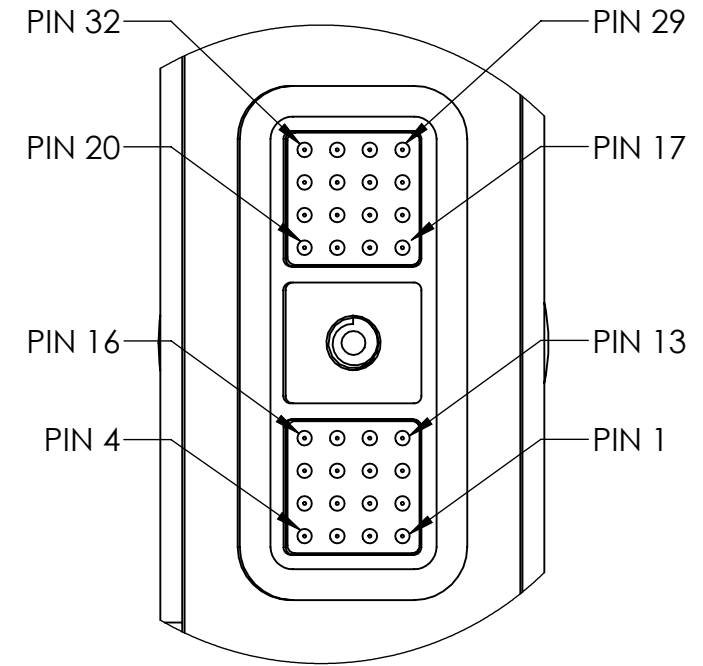


REV	DATE	DESCRIPTION OF CHANGE	ENG
C	03/19/15	REVISED. SEE DCN SN0079J	TC


**DETAIL A
SCALE 2 : 1**



NOTES:

1. CABLE: 4 CONDUCTOR, OD: 0.230 NOMINAL. POLYURETHANE INSULATION. OUTER SHIELD 38 AWG, TIN PLATED COPPER BRAID, 90% COVERAGE.
2. OVERMOLD MATERIAL: 90A POLYETHER-TYPE THERMOPLASTIC POLYURETHANE (TPU).
3. JACKET: BLACK MATTE FINISH.
4. E33, E34 IS CHASSIS GROUND
5. SOLDERING IAW IPC-J-STD-001 CLASS II AS APPLICABLE.
6. CABLE ASSEMBLIES TO BE 100% TESTED FOR CONTINUITY, SHORTS AND INSULATION RESISTANCE (250V @100MOHM MINIMUM)
7. IDENTIFICATION: BAG AND IDENTIFY ON PACKAGING THE FOLLOWING INFORMATION FOR EACH PART DELIVERED. UOS PART MARKING ON THE WIRE IS PROHIBITED:
PN: SN-710 REV X (REV MARKING PER PO)
CAGE CODE: 1HJX9
DATE OF MFGR: MM/YY
8. WIRING FUNCTION: SEE TABLE 1 AND DRAWING SN0077.
9. REFERENCE SUPPLYNET FILE NUMBER SN0079.
10. MANUFACTURE AND INSPECT IAW IPC/WHMA A-620 CLASS 2.

UNLESS OTHERWISE SPECIFIED:		NAME	DATE
DIMENSIONS ARE IN: INCHES		DRAWN	RJB 04/02/13
TOLERANCES: .XX: ± 0.03		CHECKED	RJB 04/02/16
.XXX: ± 0.005		COMMENTS:	
ANGULAR: .X°: 1°		<p>PROPRIETARY AND CONFIDENTIAL</p> <p>THE INFORMATION CONTAINED IN THIS DRAWING IS THE SOLE PROPERTY OF SUPPLYNET, INC. ANY REPRODUCTION IN PART OR AS A WHOLE WITHOUT THE WRITTEN PERMISSION OF SUPPLYNET INC. IS PROHIBITED.</p>	
.XX°: 0.5°			
BREAK EDGES: .005 - .020			
FILLETS: .005 - .020			
SURFACE FINISH:		<p>CAGE CODE: 1HJX9</p>	
GEOMETRIC TOLERANCING PER: ASME Y14.5 -2009			
MATERIAL: SEE DRAWING NOTES			
FINISH: SEE DRAWING NOTES			
DO NOT SCALE DRAWING			

PART NUMBER: SN-710		
 706 EXECUTIVE BLVD. SUITE # VALLEY COTTAGE, NY 10989		
TITLE: REAR EXIT PRC-117G TO RJ45, 6 FEET J3 PORT CROSS REFERENCE 12043-2760-A006		
SIZE B	DWG. NO. SN-710	REV C
SCALE: NA	WEIGHT:	SHEET 1 OF 1