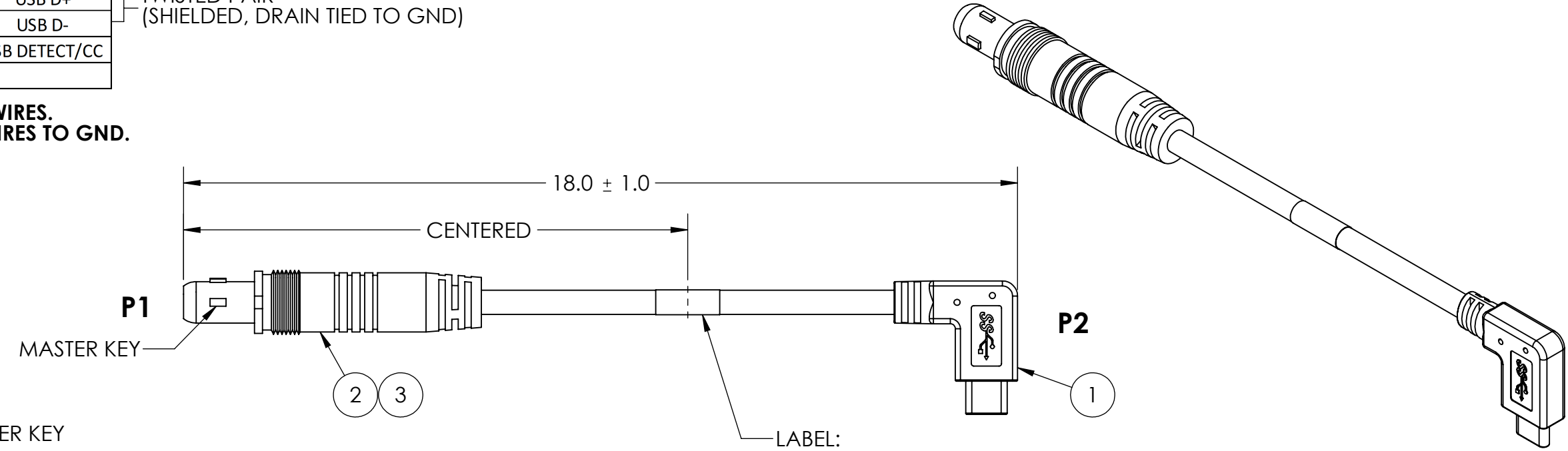


TABLE 1: WIRE RUN LIST			
P1	WIRE COLOR	P2	SIGNAL
2	DRAIN(X2)	A1, B1, A12, B12	GND
3	RED	A4, B4, A9, B9	+5VDC
4	GREEN	A6	USB D+
5	WHITE	A7	USB D-
6	BLUE	A5	USB DETECT/CC
SH	SHIELD	SH	

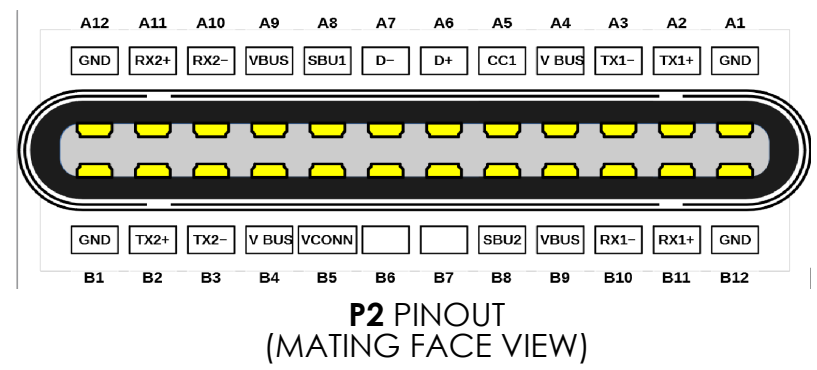
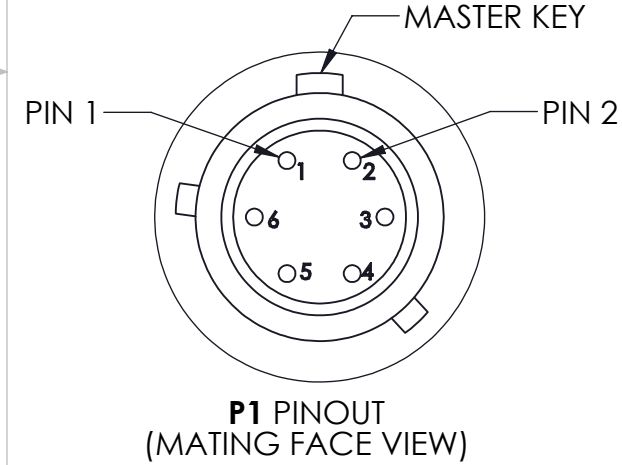
TWISTED PAIR (SHIELDED, DRAIN TIED TO GND)

\*J-HOOK & TUBE ALL UNUSED WIRES.  
\*\*ON P1 SIDE: TIE ALL DRAIN WIRES TO GND.

REVISIONS			
REV.	DESCRIPTION	DATE	ENG
1	UNDER CUSTOMER REVIEW	8/17/21	MOB
2	REMOVED PIN B6 & B7 FROM WIRE RUN	8/17/21	MOB
3	ADDED SHEET 2, ITEM #1 DWG	8/18/21	MOB



LABEL:  
**SN-808-135 REV. "X" (REV. "X" AS PER PO)**  
**1HJX9**  
**MMYY**



BILL OF MATERIALS			
ITEM NO.	PART NO.	QTY	NAME/DESCRIPTION
1	U3A00079-1M	0.5	USB TYPE C MALE, OVERMOLD, INCLUDES CABLE: 15C, 5 SHIELDED TPs, BLACK PVC JACKET, SHIELDED, OD: 0.189"
2	807-309-06ZNU6-6PY	1	MALE NETT WARRIOR CONN.
3	BE-04	1	BANDING CLAMP

- NOTES:
- WIRE FUNCTION: SEE TABLE 1 WIRE RUN LIST.
  - ASSEMBLY TO BE 100% TESTED FOR SHORTS AND CONTINUITY.
  - SOLDERING: IAW IPC-J-STD-001 CLASS II AS APPLICABLE.
  - IDENTIFICATION: BAG AND IDENTIFY ON PACKAGING THE FOLLOWING INFORMATION FOR EACH PART DELIVERED. PART MARKING ON THE WIRE IS PROHIBITED.  
**PN: SN-808-135 REV. "X" (REV. "X" AS PER PO)**  
**CAGE CODE: 1HJX9**  
**MFD: MM/YY**
  - MANUFACTURE AND INSPECT IAW IPC/WHMA A-620 CLASS 2.

UNLESS OTHERWISE SPECIFIED:  
DIMENSIONS ARE IN: INCHES  
TOLERANCES: .XX: ± 0.03  
.XXX: ± 0.005  
ANGULAR: .X°: 1°  
.XX°: 0.5°  
BREAK EDGES: .005 - .020  
FILLETS: .005 - .020  
SURFACE FINISH:  
GEOMETRIC TOLERANCING PER: ASME Y14.5-2009  
MATERIAL: SEE DRAWING NOTES  
FINISH: SEE DRAWING NOTES  
DO NOT SCALE DRAWING

NAME	DATE
DRAWN: MOB	8/17/21
CHECKED: RB	8/17/21
COMMENTS:	

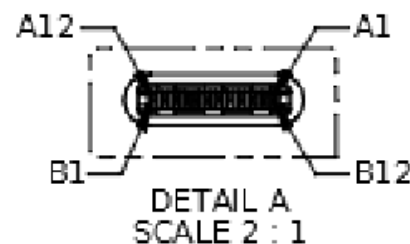
REF. NUMBER: SN0852

**SupplyNet** 706 EXECUTIVE BLVD. SUITE B VALLEY COTTAGE, NY 10989

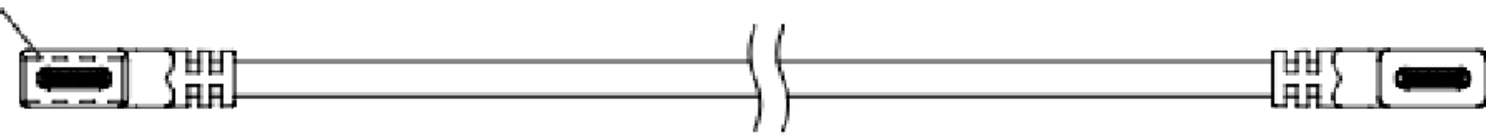
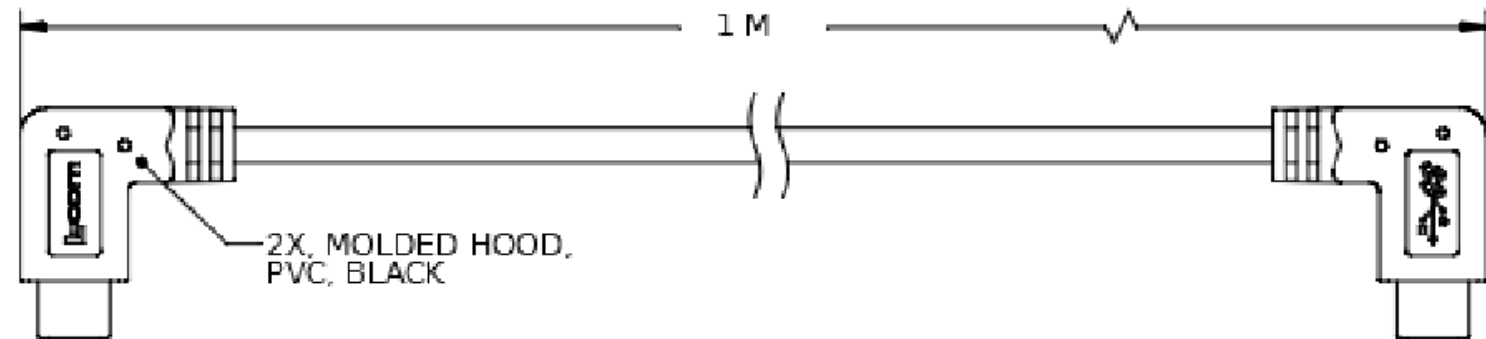
TITLE: **NETT WARRIOR USB-C ADAPTER CABLE**

SIZE <b>B</b>	DWG. NO. <b>SN-808-135</b>	REV <b>3</b>
SCALE: NA	WEIGHT:	SHEET 1 OF 2

**CAGE CODE: 1HJX9**



"P1"  
2X, USB 3.0 PLUG  
SERIES "C"  
LEFT/RIGHT EXIT  
30μ INCHES  
GOLD PLATING



UL STYLE 2725,  
(4) 30AWG SHIELDED STRANDED TINNED COPPER TWISTED PAIRS  
(1) 34AWG SHIELDED STRANDED TINNED COPPER TWISTED PAIR  
(4) 32AWG STRANDED TINNED COPPER CONDUCTORS  
(1) 26AWG STRANDED TINNED COPPER CONDUCTOR  
OVERALL ALUMINUM/POLYESTER SHIELD PLUS TINNED  
COPPER BRAID SHIELD  
JACKET: PVC, BLACK (NOM DIA. .189" [4.8])

WIRE MAP					
"P1"	SIGNAL NAME	CONDUCTOR	"P2"	SIGNAL NAME	COLOR
A1, B1, A12, B12	GND	ALL DRAIN WIRES	A1, B1, A12, B12	GND	N/A
A4, B4, A9, B9	VBUS	INDV. (26AWG)	A4, B4, A9, B9	VBUS	RED
A5	CC	INDV. (32AWG)	A5	CC	BLUE
B5	VCONN	N/C	B5	VCONN	N/A
A6	Dp1	SHIELDED PAIR(34AWG)	A6	Dp1	GREEN
A7	Dn1		A7	Dn1	WHITE
A2	SSTXp1	SHIELDED PAIR(30AWG)	B11	SSRXp1	YELLOW
A3	SSTXn1		B10	SSRXn1	GREEN
B11	SSRXp1	SHIELDED PAIR(30AWG)	A2	SSTXp1	ORANGE
B10	SSRXn1		A3	SSTXn1	BROWN
B2	SSTXp2	SHIELDED PAIR(30AWG)	A11	SSRXp2	BLACK
B3	SSTXn2		A10	SSRXn2	BLUE
A11	SSRXp2	SHIELDED PAIR(30AWG)	B2	SSTXp2	WHITE
A10	SSRXn2		B3	SSTXn2	RED
A8	SBU1	INDV. (32AWG)	B8	SBU2	BROWN
B8	SBU2	INDV. (32AWG)	A8	SBU1	ORANGE
SHELL	SHIELD	BRAID	SHELL	SHIELD	N/A

NOTES:

1. CABLE ASSEMBLY SHALL HAVE 360° SHIELD TERMINATION.
2. CABLE ASSEMBLY SHALL BE TESTED FOR CONTINUITY.
3. L-COM LOGO AND USB ICON MAY BE ON ANY SIDE OF THE OVERMOLD FOR USB SERIES "C" END.
4. CABLE ASSEMBLY SHALL BE INDIVIDUALLY PACKAGED IN ACCORDANCE WITH L-COM SPECIFICATION PS-0031.

REGULATORY COMPLIANCE:  
CE2011/65/EU(RoHS DIRECTIVE)

**U3A00079-1M CABLE ASSEMBLY**

REF. NUMBER: SN0852		
EXECUTIVE BLVD. E B EY COTTAGE, NY 10989		
TITLE: <b>NETT WARRIOR USB-C ADAPTER CABLE</b>		
SIZE <b>B</b>	DWG. NO. <b>SN-808-135</b>	REV <b>3</b>
SCALE: NA	WEIGHT:	SHEET 2 OF 2

**PROPRIETARY AND CONFIDENTIAL**  
THE INFORMATION CONTAINED IN THIS  
DRAWING IS THE SOLE PROPERTY OF  
SUPPLYNET, INC. ANY REPRODUCTION  
IN PART OR AS A WHOLE WITHOUT THE  
WRITTEN PERMISSION OF SUPPLYNET INC.  
IS PROHIBITED.  
**CAGE CODE: 1HJX9**