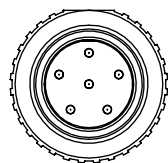
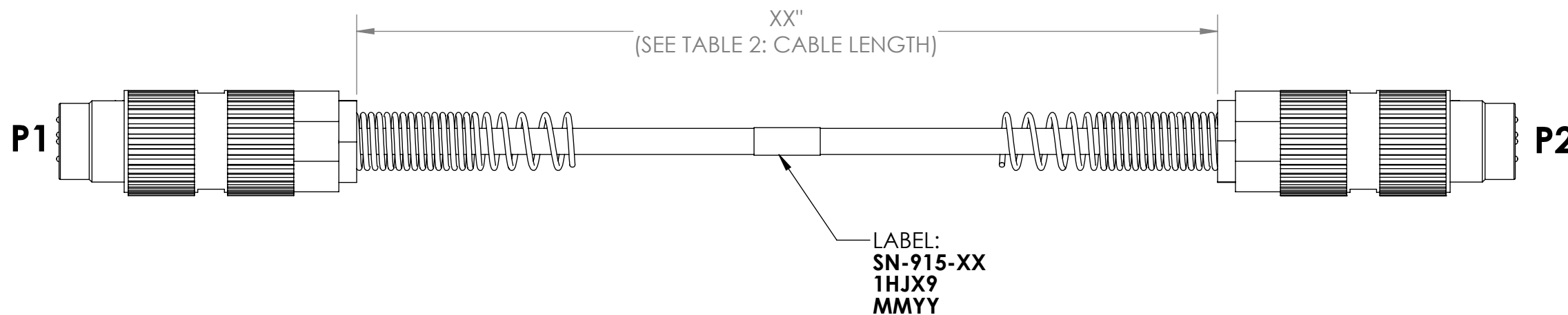
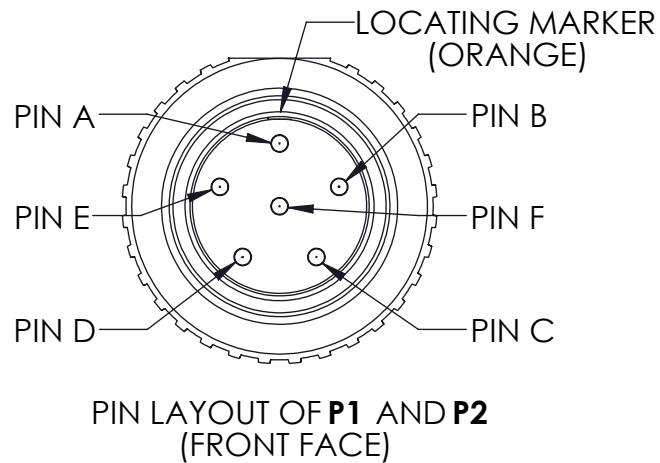


TABLE 1: WIRE RUN LIST		
P1 (U-328/U)	COLOR	P2 (U-328/U)
A	RED	A
B	GREEN	B
C	BLUE	C
D	BROWN	D
E	WHITE	E
F	BLACK	F
SHELL	SHIELD	SHELL

TABLE 2: CABLE LENGTH		
"XX"	CABLE LENGTH (INCHES)	TOLERANCE (INCHES)
01	12.0	± 1.0
02	24.0	± 1.5
03	36.0	± 1.5
05	60.0	± 1.5
06	72.0	± 1.5
08	96.0	± 2.0
10	120.0	± 2.0
12	144.0	± 2.0
15	180.0	± 2.0

REV	DATE	DESCRIPTION OF CHANGE	ENG
A	7/18/17	INITIAL RELEASE	LS



UNLESS OTHERWISE SPECIFIED:
 DIMENSIONS ARE IN: INCHES
 TOLERANCES: .XX: ± 0.03
 .XXX: ± 0.005
 ANGULAR: .X°: 1°
 .XX°: 0.5°
 BREAK EDGES: .005 - .020
 FILLETS: .005 - .020
 SURFACE FINISH:
 GEOMETRIC TOLERANCING
 PER: ASME Y14.5 -2009
 MATERIAL: SEE DRAWING NOTES
 FINISH: SEE DRAWING NOTES
 DO NOT SCALE DRAWING

	NAME	DATE
DRAWN	LS	7/18/17
CHECKED	RB	7/18/17
COMMENTS:		
PROPRIETARY AND CONFIDENTIAL THE INFORMATION CONTAINED IN THIS DRAWING IS THE SOLE PROPERTY OF SUPPLYNET, INC. ANY REPRODUCTION IN PART OR AS A WHOLE WITHOUT THE WRITTEN PERMISSION OF SUPPLYNET INC. IS PROHIBITED.		
CAGE CODE: 1HJX9		

REF. NUMBER: SN0487	
SupplyNet 706 EXECUTIVE BLVD. SUITE B VALLEY COTTAGE, NY 10989	
TITLE: U-328/U TO U-328/U VARIABLE LENGTH AUDIO CABLE	
SIZE B	DWG. NO. SN-915-XX
REV A	
SCALE: NA	WEIGHT:
SHEET 1 OF 1	