

8 7 6 5 4 3 2 1

D

D

C

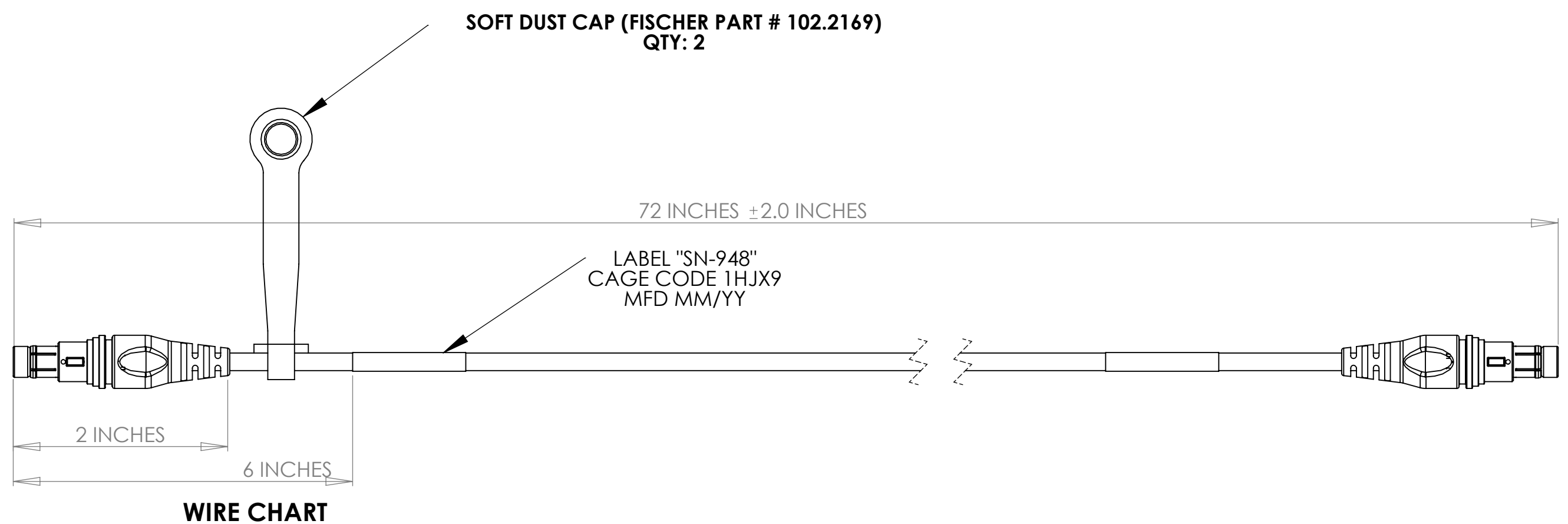
C

B

B

A

A



Cross Reference Harris Number 10511-0704-012 Rev. R

ZONE	REV.	DESCRIPTION	DATE	APPROVED
	A	NEW RELEASE.	00/00/00	RPB
REVISIONS				
UNLESS OTHERWISE SPECIFIED: DIMENSIONS ARE IN: INCHES TOLERANCES: .XX: ± 0.003 .XXX: ± 0.005 ANGULAR: .X°: 1° .XX°:		NAME	DATE	706 EXECUTIVE BLVD. SUITE B VALLEY COTTAGE, NY 10989
INTERPRET GEOMETRIC TOLERANCING PER:		DRAWN		
MATERIAL		CHECKED		
FINISH		COMMENTS:		
DO NOT SCALE DRAWING		<p style="text-align: center;">PROPRIETARY AND CONFIDENTIAL</p> <p>THE INFORMATION CONTAINED IN THIS DRAWING IS THE SOLE PROPERTY OF SUPPLYNET, INC. ANY REPRODUCTION IN PART OR AS A WHOLE WITHOUT THE WRITTEN PERMISSION OF SUPPLYNET, INC. IS PROHIBITED.</p>		<p>TITLE: 7 PIN CABLE FOR KDU PLUG WITH SOCKETS 6 FEET</p>
		SIZE	DWG. NO.	REV
		B	SN-948	A
		SCALE: 1:5	WEIGHT:	SHEET 1 OF 1

SEE SN0357

8 7 6 5 4 3 2 1