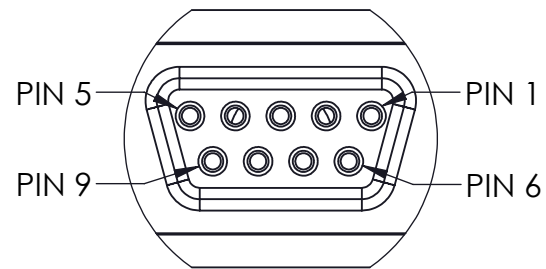
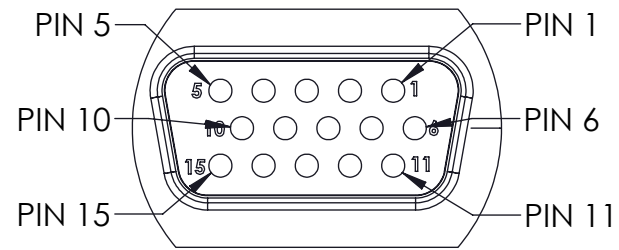


TABLE 1: WIRING		
P1	WIRE COLORS	P2
5	BLACK	2
2	RED	14
3	BROWN	15
1, 4, 6, 8	~	N/C
N/C	~	3, 13
SHELL	SHIELD	SHELL

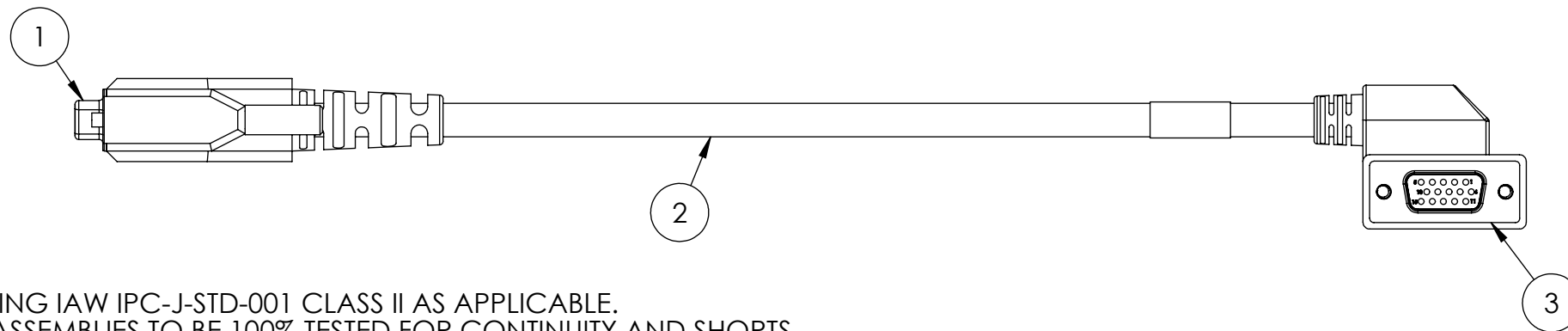
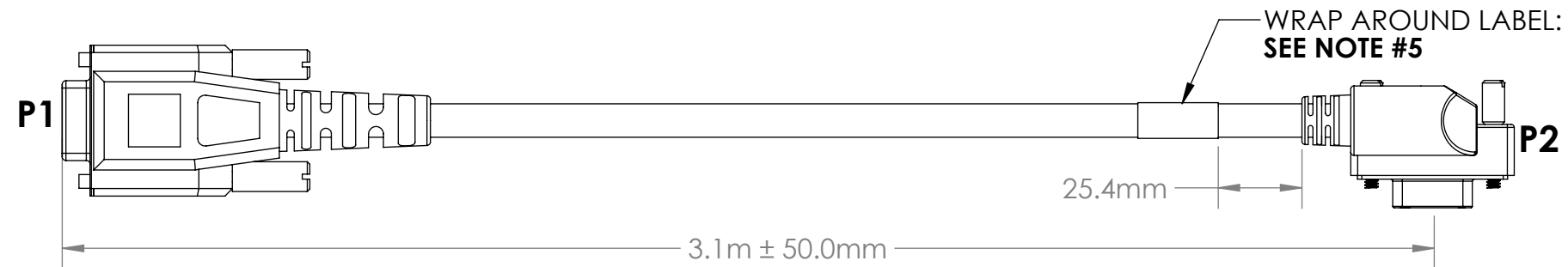
REV	DATE	DESCRIPTION OF CHANGE	ENG
A	5/6/2019	INITIAL RELEASE	LS



PIN LAYOUT OF P1
(FRONT FACE)



PIN LAYOUT OF P2
(FRONT FACE)



NOTES:

- SOLDERING IAW IPC-J-STD-001 CLASS II AS APPLICABLE.
- CABLE ASSEMBLIES TO BE 100% TESTED FOR CONTINUITY AND SHORTS.
- MANUFACTURE AND INSPECT IAW IPC/WHMA A-620 CLASS 2.
- ALL UN-USED CONTACTS SHALL BE LOADED INTO P1 AND P2.
- PLACE AN ADHESIVE WRAP-AROUND LABEL WHERE INDICATED (WHITE WITH BLACK FONT). THE LABEL MUST CONTAIN THE FOLLOWING INFORMATION:

SN-987-5012-001 REV. X (REV. X PER PO)
1HJX9
MFD: MM/YY (MM = MONTH MANUFACTURED, YY = LAST TWO DIGITS OF YEAR MANUFACTURED)

- CABLE IS TO WIRED ACCORDING TO TABLE 1. PINS 1, 4, 6 AND 8 ARE TO BE TIED TOGETHER ON THE P1 SIDE. PINS 3 AND 13 ARE TO BE TIED TOGETHER ON THE P2 SIDE.
- PLACE COMPLETED ASSEMBLIES INTO A ZIPPER POLY-BAG. PLACE A LABEL ON THE BAG CONTAINING THE FOLLOWING INFORMATION:

SN-987-5012-001 REV. X (REV. X PER PO)
1HJX9
MFD: MM/YY (MM = MONTH MANUFACTURED, YY = LAST TWO DIGITS OF YEAR MANUFACTURED)

TABLE 2: BILL OF MATERIALS			
ITEM NO.	PART NO	QTY	NAME/DESCRIPTION
1	500-109	1	REDZONE DB9 Female Connector
2	X-265B	3.1m	26AWG, 5C, Braided/Foil Shield, PU Jacket, Cable
3	09HD15	1	REDZONE HD15 Female Connector

REF. NUMBER: SN0641

UNLESS OTHERWISE SPECIFIED:
 DIMENSIONS ARE IN: INCHES
 TOLERANCES: .XX: ± 0.03
 .XXX: ± 0.005
 ANGULAR: .X°: 1°
 .XX°: 0.5°
 BREAK EDGES: .005 - .020
 FILLETS: .005 - .020
 SURFACE FINISH:
 GEOMETRIC TOLERANCING PER: ASME Y14.5 -2009
 MATERIAL: SEE DRAWING NOTES
 FINISH: SEE DRAWING NOTES
 DO NOT SCALE DRAWING

	NAME	DATE
DRAWN	LS	5/6/2019
CHECKED	RB	5/6/2019
COMMENTS:		

SupplyNet 706 EXECUTIVE BLVD.
 SUITE B
 VALLEY COTTAGE, NY 10989

TITLE:
**9P-15P (F-F), REG 90°
 DAGR-PC CABLE
 NSN: 5995-01-521-3198**

SIZE	DWG. NO.	REV
B	SN-987-5012-001	A

CAGE CODE: 1HJX9 SCALE: NA WEIGHT: SHEET 1 OF 1