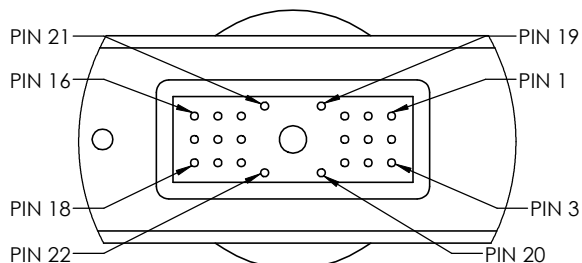
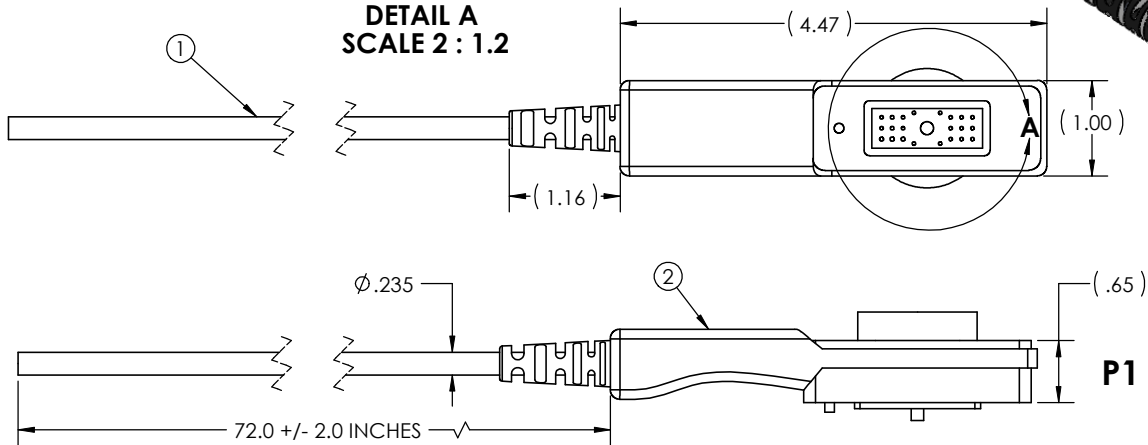


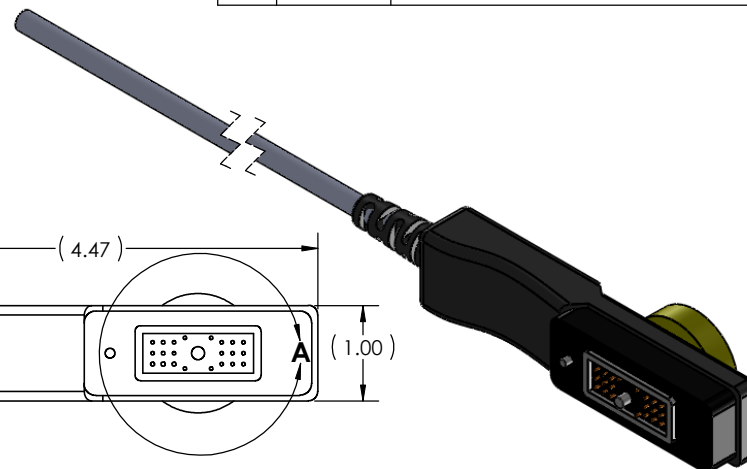
| TABLE 1. WIRING | |
|-----------------|-----------------|
| P1 PIN | WIRE COLOR |
| 1 | GREEN |
| 8 | ORANGE / WHITE |
| 10 | ORANGE |
| 11 | GREEN / WHITE |
| 12 | BROWN / WHITE |
| 13 | RED / WHITE |
| 14 | YELLOW |
| 15 | BROWN |
| 17 | YELLOW / WHITE |
| 18 | RED |
| E33, E34 | BRAIDED SHIELD. |



DETAIL A
SCALE 2 : 1.2



| REV | DATE | DESCRIPTION OF CHANGE | ENG |
|-----|----------|--------------------------|-----|
| C | 12/06/13 | RELISED. SEE DCN SN0055H | RJB |



NOTES:

- CABLE: 26 AWG, 12 CONDUCTOR, OD: 0.235 NOMINAL. POLYURETHANE INSULATION. TIN PLATED COPPER BRAID, 90% COVERAGE.
- OVERMOLD MATERIAL: 90A POLYETHER-TYPE THERMOPLASTIC POLYURETHANE (TPU).
- JACKET: BLACK MATTE FINISH.
- E33,E34 IS CHASSIS GROUND
- SOLDERING IAW IPC-J-STD-001 AS APPLICABLE.
- CABLE ASSEMBLIES TO BE 100% TESTED FOR CONTINUITY, SHORTS AND INSULATION RESISTANCE (250V @ 100MOHM MINIMUM)
- IDENTIFICATION: BAG AND IDENTIFY ON PACKAGING THE FOLLOWING INFORMATION FOR EACH PART DELIVERED. UOS PART MARKING ON THE WIRE IS PROHIBITED:
PN: TE-22J-06 REV X (REV MARKING PER PO)
CAGE CODE: 1HJX9
DATE OF MFGR: MM/YY
- WIRING FUNCTION: PER TABLE 1.
- SUPPLYNET FILE NUMBER SN0055
- MANUFACTURE AND INSPECT IAW IPC/WHMA A-620 CLASS 2.
- CAP AND STOW UNUSED WIRES.

| BILL OF MATERIALS | | | | |
|-------------------|--------------|-----|--------------------|---|
| ITEM NO. | PART NO | QTY | NAME | COMMENTS |
| 1 | 51245 | 74" | CABLE | 12C .235 DIAMETER |
| 2 | TE-22J-ASSY | 1 | CONNECTOR ASSEMBLY | INCLUDES HOUSING, FASTENERS, PCB, THUMBWHEEL. PROVIDED BY SUPPLYNET |
| 3 | 24-7068-7601 | AR | SOLDER, LEAD FREE | KESTER |

| | | | |
|--|--------------------------|-------------------------|--------------------------------|
| UNLESS OTHERWISE SPECIFIED: DIMENSIONS ARE IN: INCHES TOLERANCES: .XX: ± 0.03 .XXX: ± 0.005 ANGULAR: .XX*: 1° .XX*: 0.5° BREAK EDGES: .005 - .020 FILLETS: .005 - .020 SURFACE FINISH: GEOMETRIC TOLERANCING PER: ASME Y14.5-2009 MATERIAL: SEE DRAWING NOTES FINISH: SEE DRAWING NOTES | DRAWN RJB 03/15/13 | NAME RJB 03/15/13 | DATE 03/15/13 |
| DO NOT SCALE DRAWING | CAGE CODE: 1HJX9 | | SCALE: NA WEIGHT: SHEET 1 OF 1 |

| | |
|---|------------------------------|
| PART NUMBER: TE-22J-06 | |
| | |
| 614 CORPORATE WAY SUITE 8M VALLEY COTTAGE, NY 10989 | |
| TITLE: MBITR / JEM 22 PIN SIDE. NO SWITCH DATA CABLE. | |
| SIZE B | DWG. NO. TE-22J-06 |
| REV C | |

RELEASED: DOCUMENT CONTROLLED PER ER 1003