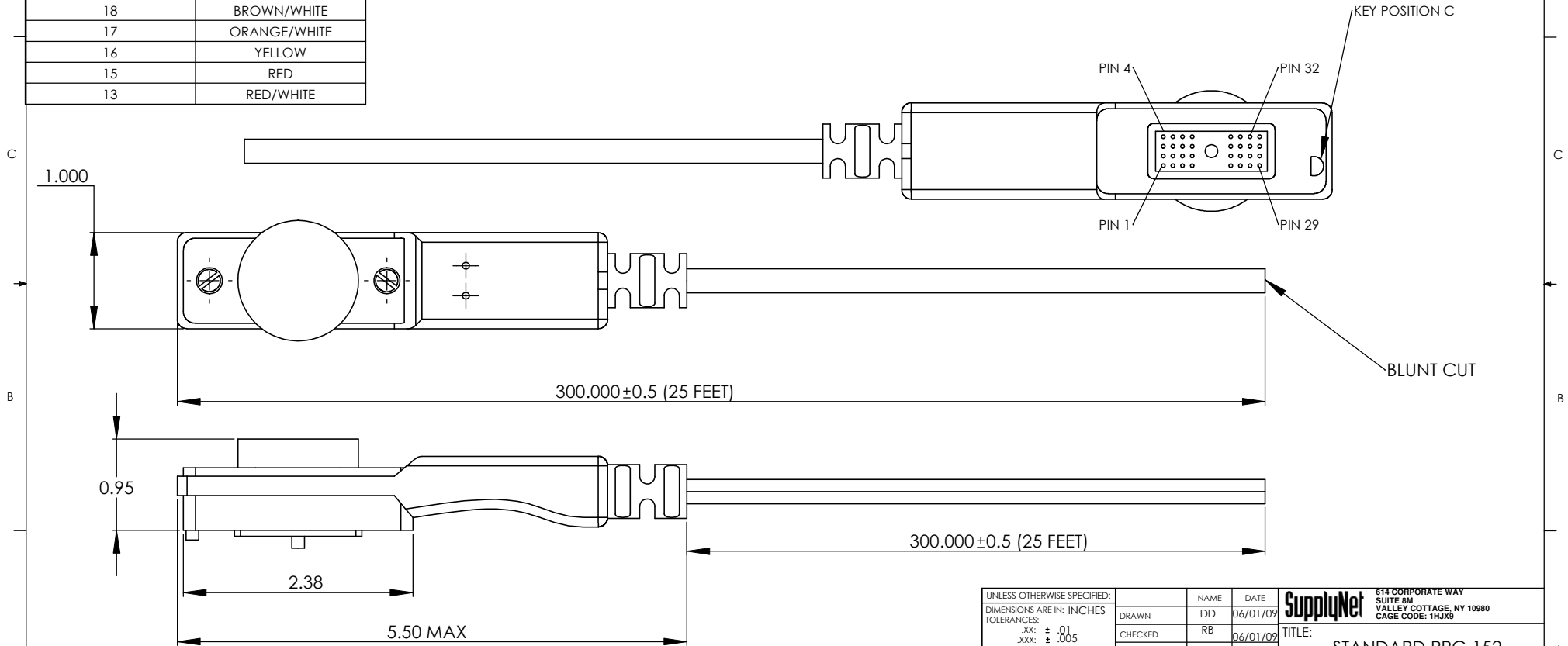



PIN NUMBER	COLORS
E34	BRAIDED SHIELD
E33	BRAIDED SHIELD
28	GREEN (GROUND)
24	YELLOW/WHITE
23	BLACK
22	ORANGE
21	BROWN
20	BLACK/WHITE
19	GREEN/WHITE
18	BROWN/WHITE
17	ORANGE/WHITE
16	YELLOW
15	RED
13	RED/WHITE



NOTES:

- 26 AWG, 12 CONDUCTOR, 0.225±0.01 OD, TYCO/MADISON CABLE

UNLESS OTHERWISE SPECIFIED:		NAME	DATE	 614 CORPORATE WAY SUITE 8M VALLEY COTTAGE, NY 10980 CAGE CODE: 1HJX9	
DIMENSIONS ARE IN: INCHES		DRAWN	DD		06/01/09
TOLERANCES:		CHECKED	RB		06/01/09
.XX: ± .01		COMMENTS:		TITLE: <b>STANDARD PRC-152          32 PIN SERIAL DATA          CABLE, UN-TERMINATED          25 FEET</b>	
.XXX: ± .005					
ANGULAR: .X° .XX°				SIZE <b>B</b>	
INTERPRET GEOMETRIC TOLERANCING PER:		PROPRIETARY AND CONFIDENTIAL THE INFORMATION CONTAINED IN THIS DRAWING IS THE SOLE PROPERTY OF <INSERT COMPANY NAME HERE>. ANY REPRODUCTION IN PART OR AS A WHOLE WITHOUT THE WRITTEN PERMISSION OF <INSERT COMPANY NAME HERE> IS PROHIBITED.		DWG. NO. <b>TE-32C-25</b>	
MATERIAL <b>A6061-T6 AL ALLOY</b>				REV <b>A</b>	
FINISH <b>ANODIZED BLACK</b>				SCALE: 1:1   WEIGHT:   SHEET 1 OF 1	
DO NOT SCALE DRAWING					