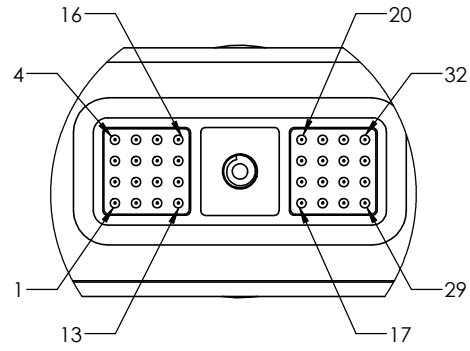
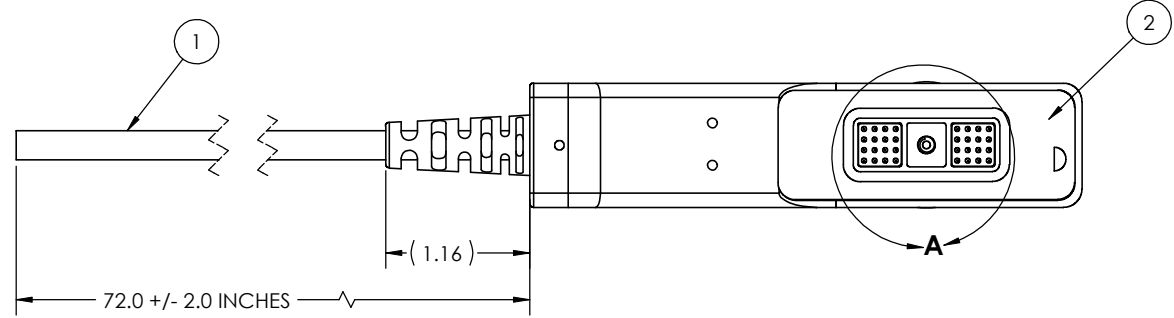
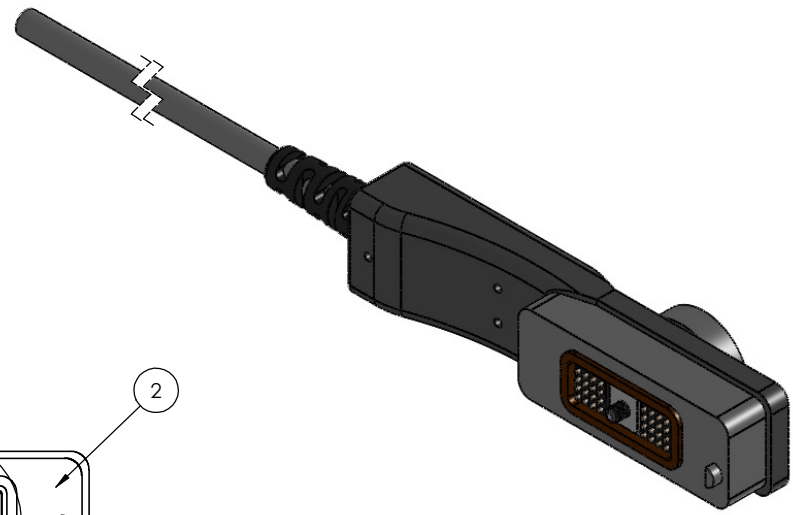


REV	DATE	DESCRIPTION OF CHANGE	ENG
A	11/20/13	RELEASED. SEE DCN SN0074AN	RJB



**DETAIL A
SCALE 2 : 1**



NOTES:

- CABLE: 4 CONDUCTOR, OD: 0.235 NOMINAL. POLYURETHANE INSULATION. OUTER SHIELD 38 AWG, TIN PLATED COPPER BRAID, 90% COVERAGE.
- OVERMOLD MATERIAL: 90A POLYETHER-TYPE THERMOPLASTIC POLYURETHANE (TPU).
- JACKET: BLACK MATTE FINISH.
- E33, E34 IS CHASSIS GROUND
- SOLDERING IAW IPC-J-STD-001 CLASS II AS APPLICABLE.
- CABLE ASSEMBLIES TO BE 100% TESTED FOR CONTINUITY, SHORTS AND INSULATION RESISTANCE (250V @100MOHM MINIMUM)
- IDENTIFICATION: BAG AND IDENTIFY ON PACKAGING THE FOLLOWING INFORMATION FOR EACH PART DELIVERED. UOS PART MARKING ON THE WIRE IS PROHIBITED:
PN: TE-32C-P-06 REV X (REV MARKING PER PO)
CAGE CODE: 1HJX9
DATE OF MFG: MM/YY
- WIRING FUNCTION: SEE SHEET 2 AND DRAWING SN0072.
- REFERENCE SUPPLYNET FILE NUMBER SN0074.
- MANUFACTURE AND INSPECT IAW IPC/WHMA A-620 CLASS 2.

BILL OF MATERIALS				
ITEM NO.	PART NUMBER	QTY	NAME	COMMENTS
1	51285	74"	WIRE	4C USB CABLE
2	TE-32C-ASSY	1	CONNECTOR ASSEMBLY	INCLUDES HOUSING, FASTENERS, THUMBWHEEL. PROVIDED BY SUPPLYNET
3	24-7068-7601	AR	SOLDER, LEAD FREE	KESTER
4	SN0072	1	PCB	SUPPLYNET PROVIDED

UNLESS OTHERWISE SPECIFIED:		NAME	DATE
DIMENSIONS ARE IN: INCHES		RJB	04/02/13
TOLERANCES: .XX: ± 0.03		CHECKED	RJB 04/02/16
.XXX: ± 0.005		COMMENTS:	
ANGULAR: .XX: ± 0.5°		PROPRIETARY AND CONFIDENTIAL THE INFORMATION CONTAINED IN THIS DRAWING IS THE SOLE PROPERTY OF SUPPLYNET, INC. ANY REPRODUCTION IN PART OR AS A WHOLE WITHOUT THE WRITTEN PERMISSION OF SUPPLYNET INC. IS PROHIBITED.	
BREAK EDGES: .005 - .020		GEOMETRIC TOLERANCING PER: ASME Y14.5-2009 MATERIAL: SEE DRAWING NOTES FINISH: SEE DRAWING NOTES	
FILLETS: .005 - .020		CAGE CODE: 1HJX9	
SURFACE FINISH:		DO NOT SCALE DRAWING	

PART NUMBER: TE-32C-P-06

SupplyNet 614 CORPORATE WAY
SUITE 8M
VALLEY COTTAGE, NY 10989

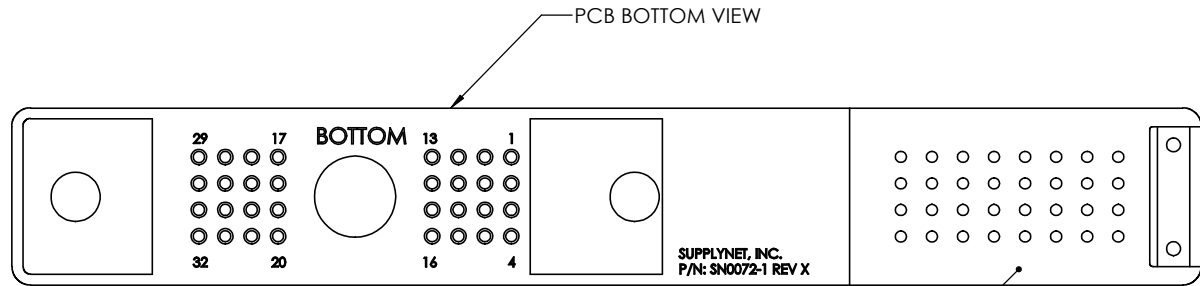
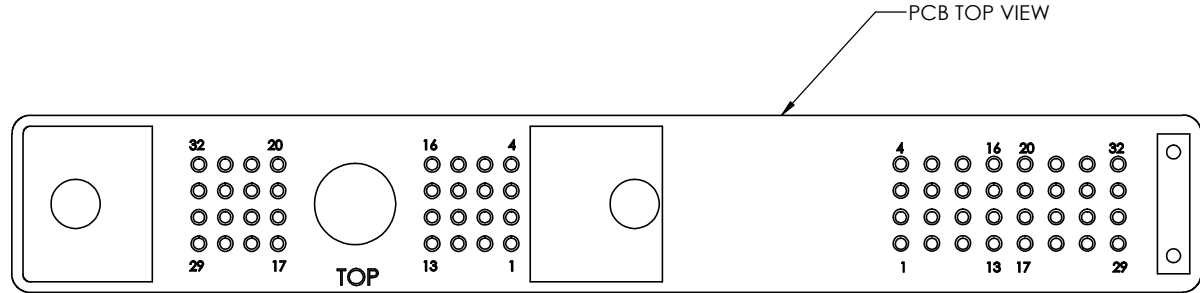
TITLE:
SIDE EXIT PRC-152 32 PIN
SERIAL DATA CABLE,
UN-TERMINATED

SIZE B	DWG. NO. TE-32C-P-06	REV A
------------------	--------------------------------	-----------------

SCALE: NA WEIGHT: SHEET 1 OF 2

RELEASED: DOCUMENT CONTROLLED PER ER 1003

TABLE 1	
ITEM 1 (4 C WIRE)	
PIN NUMBER	WIRE COLOR
29	RED
25	WHITE
26	GREEN
8, 28	BLACK
E33, E34 CHASSIS GROUND	BRAIDED SHIELD



PROPRIETARY AND CONFIDENTIAL
 THE INFORMATION CONTAINED IN THIS DRAWING IS THE SOLE PROPERTY OF SUPPLYNET, INC. ANY REPRODUCTION IN PART OR AS A WHOLE WITHOUT THE WRITTEN PERMISSION OF SUPPLYNET INC. IS PROHIBITED.

PART NUMBER: TE-32C-P-06		
SupplyNet 614 CORPORATE WAY SUITE 8H VALLEY COTTAGE, NY 10989		
TITLE: SIDE EXIT PRC-152 32 PIN SERIAL DATA CABLE, UN-TERMINATED		
SIZE B	DWG. NO. TE-32C-P-06	REV A
CAGE CODE: 1HJX9	SCALE: NA	WEIGHT: SHEET 2 OF 2