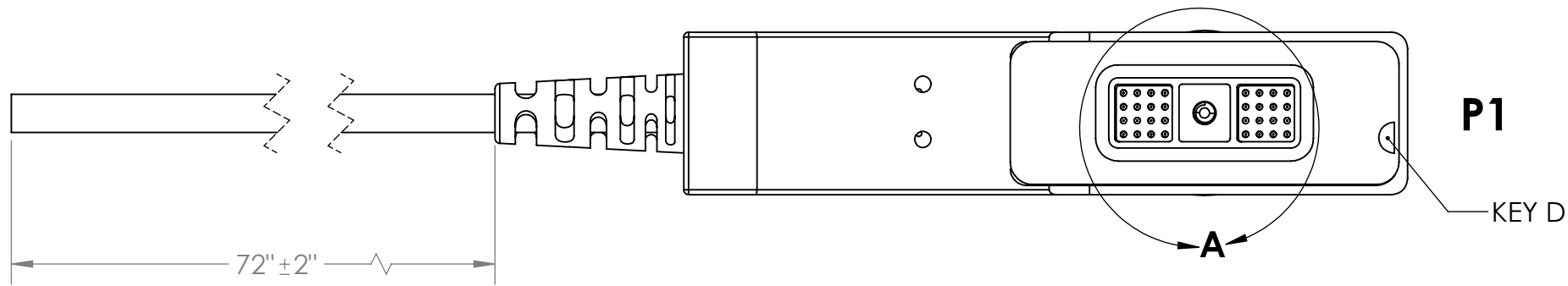
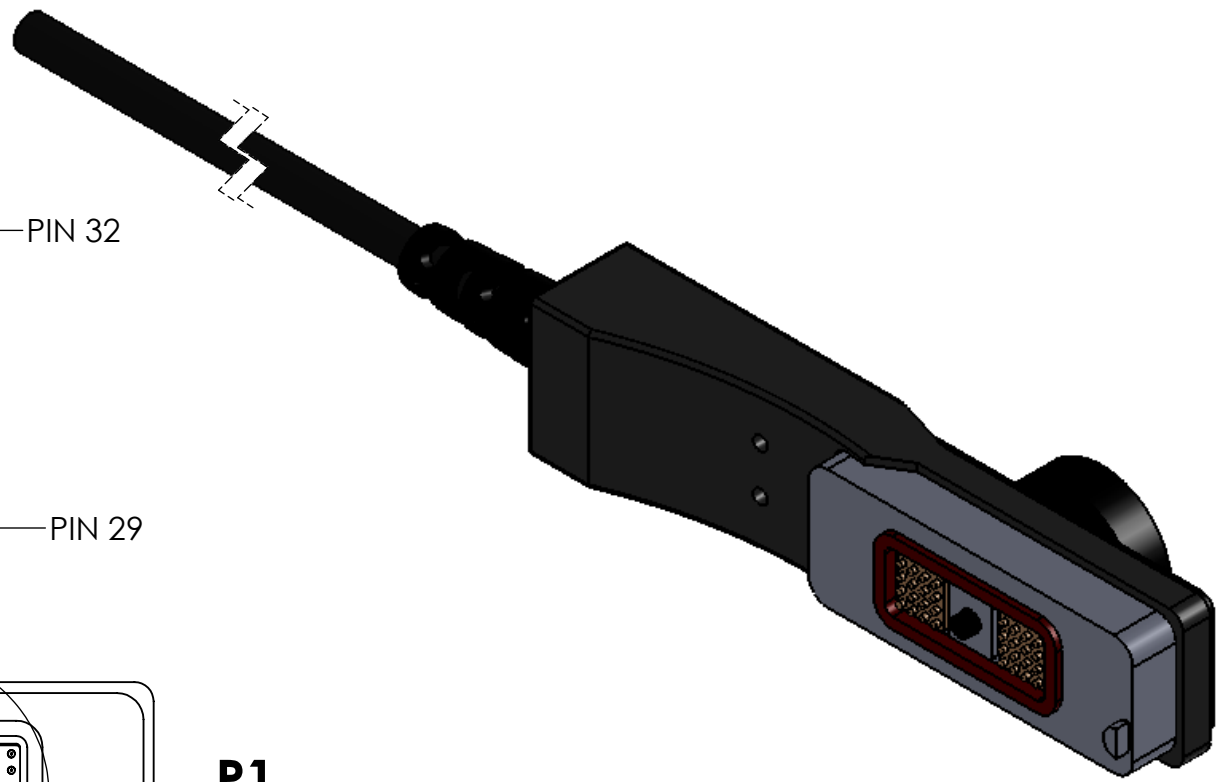
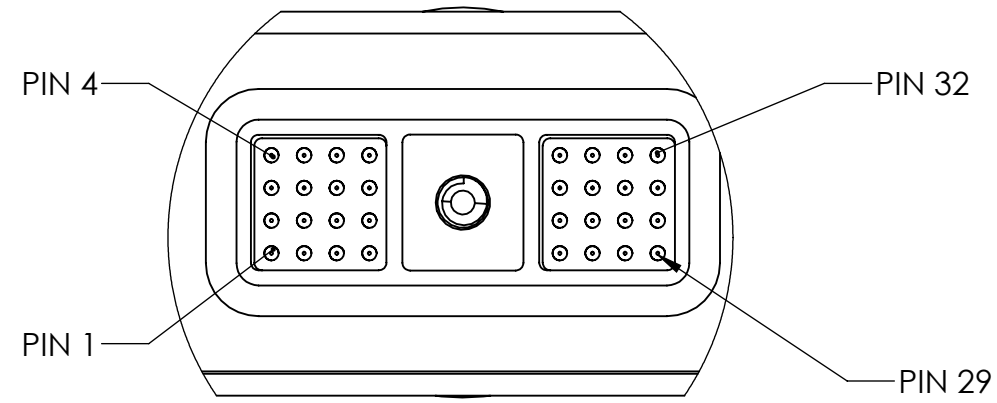


TABLE 1. WIRE RUN LIST	
P1 PIN NUMBER	WIRE COLOR
3	PINK
5	WHITE
6	GREEN
8	BLACK
13	RED
28	BROWN
29	YELLOW
30	BLUE
31	VIOLET
32	GRAY
E33, E34	BRAIDED SHIELD

REV	DATE	DESCRIPTION OF CHANGE	ENG
B	07/22/15	RELEASED. SEE DCN SN0156-	TC

TWISTED PAIR

DETAIL A  
SCALE 2 : 1



BILL OF MATERIALS				
ITEM NO.	PART NUMBER	QTY	NAME	COMMENTS
1	51234	74"	WIRE	19C
2	TE-32D-ASSY	1	CONNECTOR ASSEMBLY	INCLUDES HOUSING, FASTENERS, PCB, THUMBWHEEL. PROVIDED BY SUPPLYNET
3	SN0072	1	PCB	

- NOTES:
- CABLE: 26 AWG, 19 CONDUCTOR, OD: 0.270 NOMINAL. POLYURETHANE INSULATION. OUTER SHIELD 38 AWG, TIN PLATED COPPER BRAID, 90% COVERAGE.
  - JACKET: BLACK MATTE FINISH.
  - E33, E34 IS CHASSIS GROUND
  - SOLDERING IAW IPC-J-STD-001 CLASS II AS APPLICABLE.
  - CABLE ASSEMBLIES TO BE 100% TESTED FOR CONTINUITY, SHORTS AND INSULATION RESISTANCE (250V @100MOHM MINIMUM)
  - IDENTIFICATION: BAG AND IDENTIFY ON PACKAGING THE FOLLOWING INFORMATION FOR EACH PART DELIVERED. UOS PART MARKING ON THE WIRE IS PROHIBITED:  
**PN: TE-32D-A-06 REV X (REV MARKING PER PO)**  
**CAGE CODE: 1HJX9**  
**DATE OF MFGR: MM/YY**
  - WIRING FUNCTION: SEE SHEET 2 TABLE 1 AND DRAWING SN0072.
  - REFERENCE SUPPLYNET FILE NUMBER SN0156.
  - MANUFACTURE AND INSPECT IAW IPC/WHMA A-620 CLASS 2.

UNLESS OTHERWISE SPECIFIED:  
 DIMENSIONS ARE IN: INCHES  
 TOLERANCES: .XX: ± 0.03  
 .XXX: ± 0.005  
 ANGULAR: .X°: 1°  
 .XX°: 0.5°  
 BREAK EDGES: .005 - .020  
 FILLETS: .005 - .020  
 SURFACE FINISH:  
 GEOMETRIC TOLERANCING  
 PER: ASME Y14.5 -2009  
 MATERIAL: SEE DRAWING NOTES  
 FINISH: SEE DRAWING NOTES  
 DO NOT SCALE DRAWING

	NAME	DATE
DRAWN	RJB	04/02/13
CHECKED	RJB	04/02/16
COMMENTS:		

**PROPRIETARY AND CONFIDENTIAL**  
 THE INFORMATION CONTAINED IN THIS DRAWING IS THE SOLE PROPERTY OF SUPPLYNET, INC. ANY REPRODUCTION IN PART OR AS A WHOLE WITHOUT THE WRITTEN PERMISSION OF SUPPLYNET INC. IS PROHIBITED.

PART NUMBER: TE-32D-A-06

**SupplyNet** 706 EXECUTIVE BLVD.  
SUITE B  
VALLEY COTTAGE, NY 10989

TITLE: RF-7850M 32 PIN DATA CABLE, 6 FOOT.

SIZE	DWG. NO.	REV
<b>B</b>	<b>TE-32D-A-06</b>	<b>B</b>

SCALE: NA WEIGHT: SHEET 1 OF 1