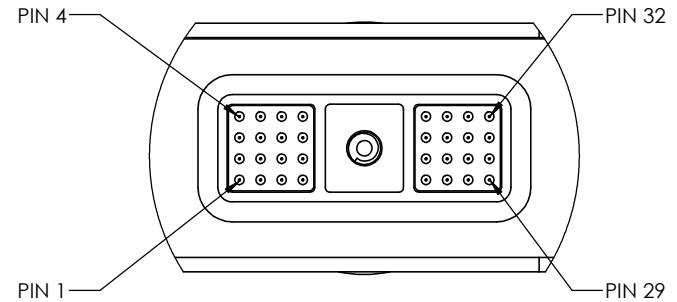
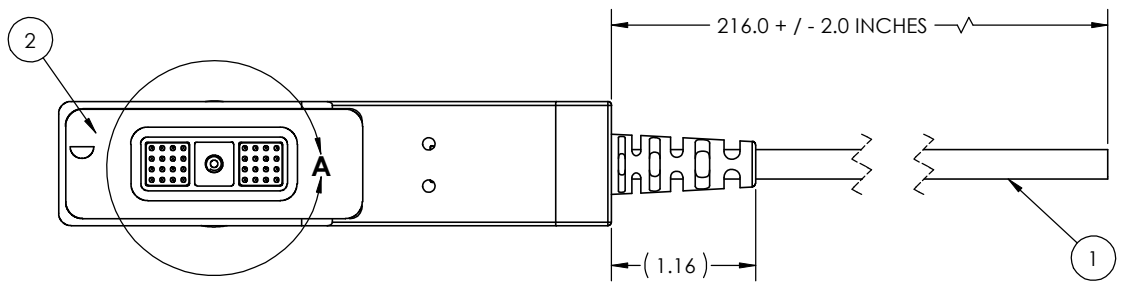
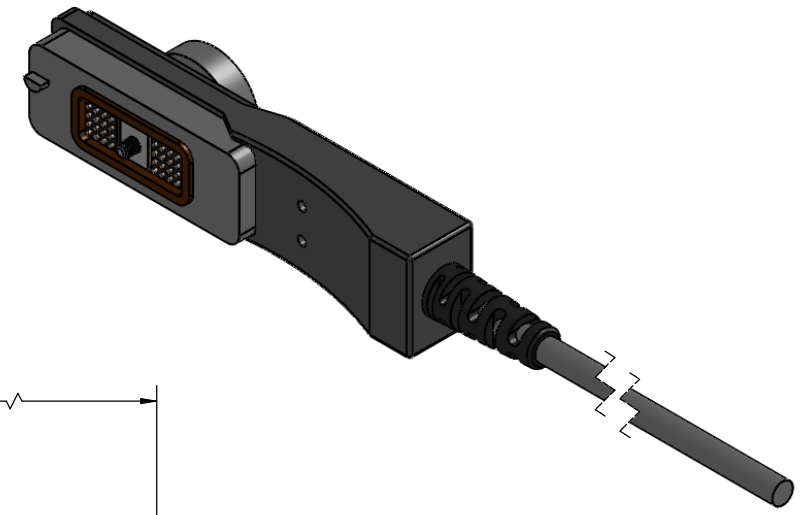


REV	DATE	DESCRIPTION OF CHANGE	ENG
B	10/28/13	REVISED. SEE DCN SN0111C	RJB



DETAIL A
SCALE 2 : 1



NOTES:

- CABLE: 26 AWG, 19 CONDUCTOR, OD: 0.270 NOMINAL. POLYURETHANE INSULATION. OUTER SHIELD 38 AWG, TIN PLATED COPPER BRAID, 90% COVERAGE. C&M PN 51234.
- OVERMOLD MATERIAL: 90A POLYETHER-TYPE THERMOPLASTIC POLYURETHANE (TPU).
- JACKET: BLACK MATTE FINISH.
- E33, E34 IS CHASSIS GROUND
- SOLDERING IAW IPC-J-STD-001 AS APPLICABLE.
- CABLE ASSEMBLIES TO BE 100% TESTED FOR CONTINUITY, SHORTS AND INSULATION RESISTANCE (250V @ 100MOHM MINIMUM)
- IDENTIFICATION: BAG AND IDENTIFY ON PACKAGING THE FOLLOWING INFORMATION FOR EACH PART DELIVERED. UOS PART MARKING ON THE WIRE IS PROHIBITED:
PN: TE-32R-B-18 REV X (REV MARKING PER PO)
CAGE CODE: 1HJX9
DATE OF MFGR: MM/YY
- WIRING FUNCTION: SEE SHEET 2 AND DRAWING SN0110.
- REFERENCE SUPPLYNET FILE NUMBER SN0111.
- MANUFACTURE AND INSPECT IAW IPC/WHMA A-620 CLASS 2.

BILL OF MATERIALS				
ITEM NO.	PART NUMBER	QTY	NAME	COMMENTS
1	51234	218"	WIRE	C&M PART NUMBER
2	TE-32R-ASSY	1	CONNECTOR ASSEMBLY	INCLUDES HOUSING, FASTENERS, PCB, THUMBWHEEL. PROVIDED BY SUPPLYNET
3	24-7068-7601	AR	SOLDER, LEAD FREE	KESTER

UNLESS OTHERWISE SPECIFIED:	NAME	DATE
DIMENSIONS ARE IN: INCHES	RJB	04/02/13
TOLERANCES: .XX: ± 0.03	CHECKED	RJB 04/02/16
.XXX: ± 0.005	COMMENTS:	
ANGULAR: .XX: ± 0.5°	PROPRIETARY AND CONFIDENTIAL	
BREAK EDGES: .005 - .020	THE INFORMATION CONTAINED IN THIS DRAWING IS THE SOLE PROPERTY OF SUPPLYNET, INC. ANY REPRODUCTION IN PART OR AS A WHOLE WITHOUT THE WRITTEN PERMISSION OF SUPPLYNET INC. IS PROHIBITED.	
FILLETS: .005 - .020	MATERIAL: SEE DRAWING NOTES	
SURFACE FINISH:	FINISH: SEE DRAWING NOTES	
GEOMETRIC TOLERANCING PER: ASME Y14.5-2009	DO NOT SCALE DRAWING	

PART NUMBER: TE-32R-B-18

614 CORPORATE WAY
SUITE 8M
VALLEY COTTAGE, NY 10989

TITLE:
AN / PRC-117G, SIDE EXIT
PRC-15232 PIN DATA CABLE,
18 FEET J6 PORT

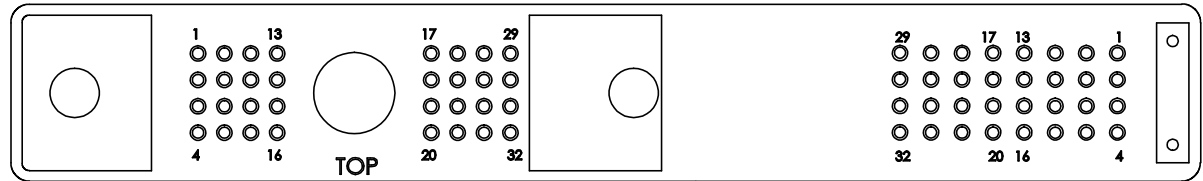
SIZE	DWG. NO.	REV
B	TE-32R-B-18	B

CAGE CODE: 1HJX9 SCALE: NA WEIGHT: SHEET 1 OF 2

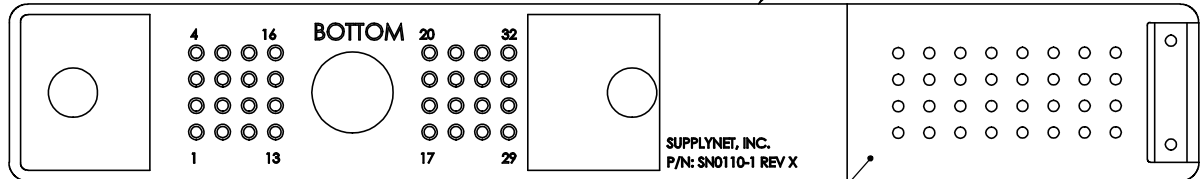
TABLE 1. WIRE RUN LIST	
P1 PIN NUMBER	WIRE COLOR
5	DARK ORANGE **
6	RED
7	YELLOW
8	BLUE
9	BROWN
10	BLACK
11	PURPLE
12	GRAY
15	PINK
21	TAN
28	LIGHT GREEN *
29	ORANGE
30	CLEAR
31	DARK GREEN **
32	CLEAR
E33, E34	BRAIDED SHIELD
* OPTIONAL WHITE BAND FOR CLARITY	
** OPTIONAL BLACK BAND FOR CLARITY	

— TWISTED PAIR

— TWISTED PAIR



PCB TOP VIEW



PCB BOTTOM VIEW

STIFFENER ON
BOTTOM SIDE ONLY

PART NUMBER: TE-32R-B-18

SupplyNet

614 CORPORATE WAY
SUITE 8M
VALLEY COTTAGE, NY 10989

TITLE:
AN / PRC-117G, SIDE EXIT
PRC-15232 PIN DATA CABLE,
18 FEET J6 PORT

PROPRIETARY AND CONFIDENTIAL
THE INFORMATION CONTAINED IN THIS
DRAWING IS THE SOLE PROPERTY OF
SUPPLYNET, INC. ANY REPRODUCTION
IN PART OR AS A WHOLE WITHOUT THE
WRITTEN PERMISSION OF SUPPLYNET INC.
IS PROHIBITED.

SIZE B	DWG. NO. TE-32R-B-18	REV B
------------------	--------------------------------	-----------------

CAGE CODE: 1HJX9	SCALE: NA	WEIGHT:	SHEET 2 OF 2
------------------	-----------	---------	--------------