

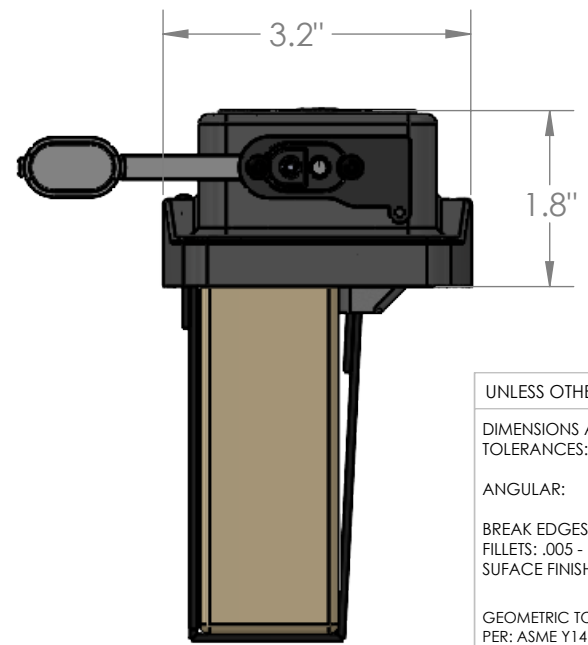
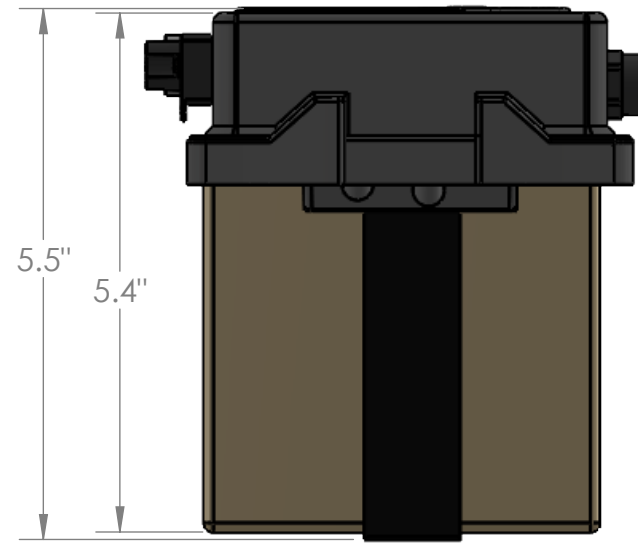
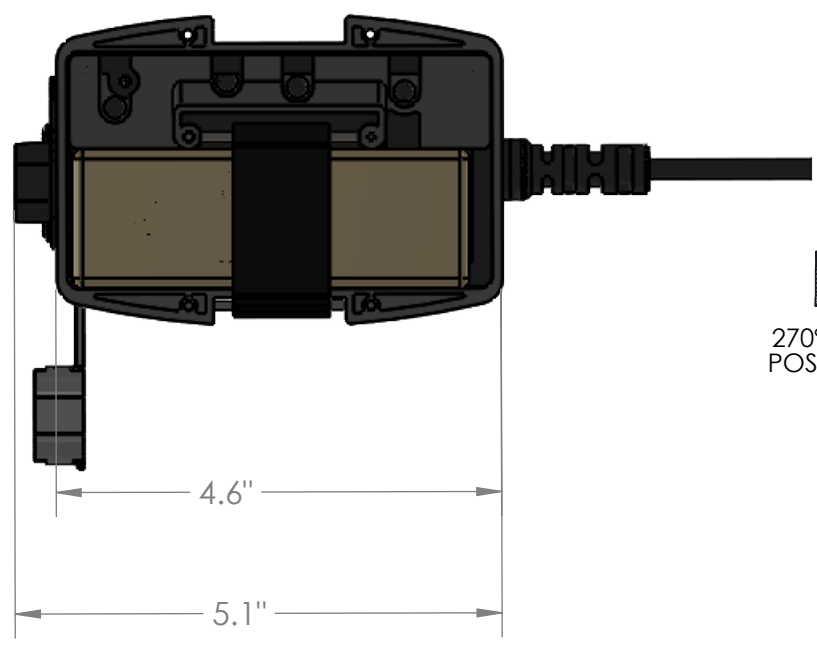
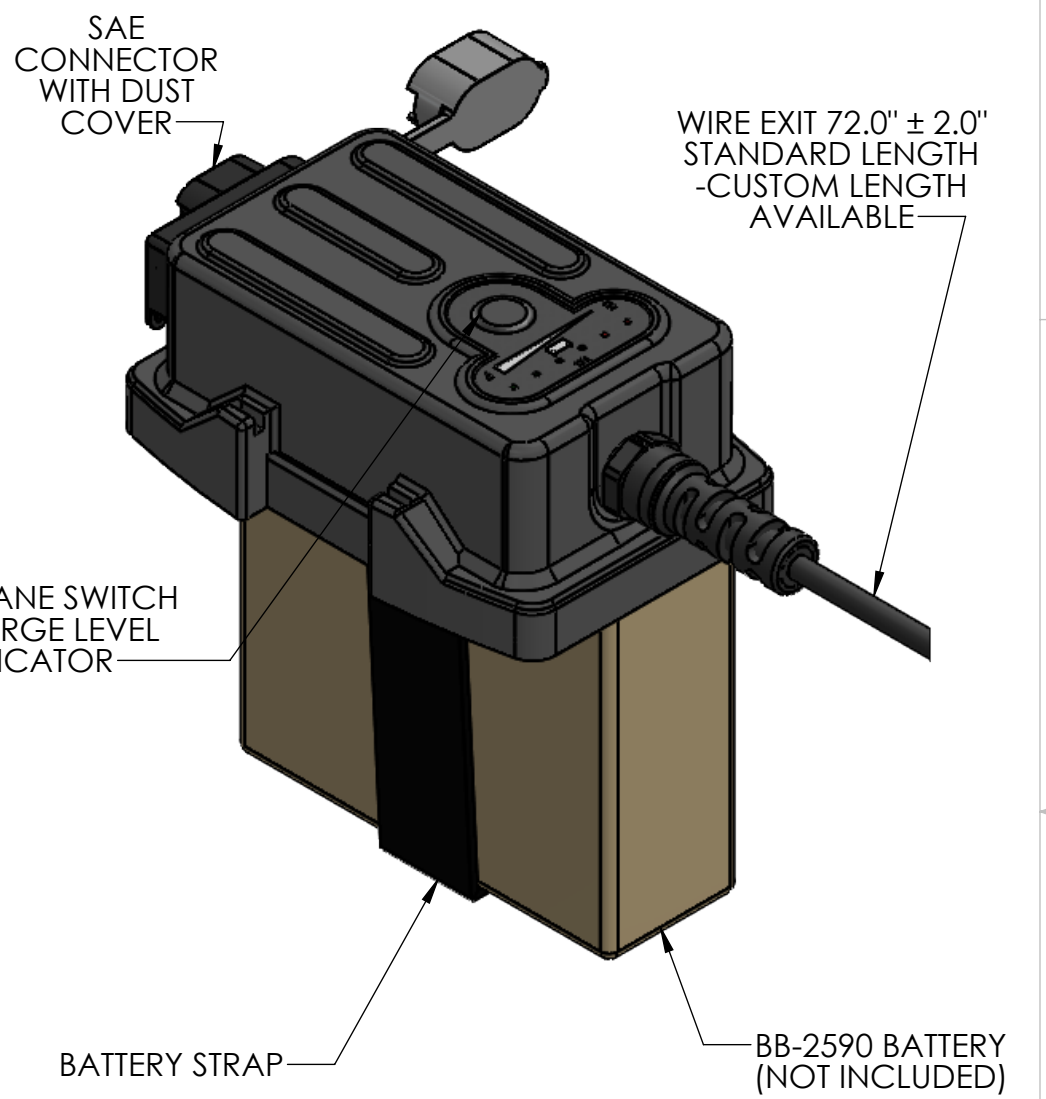
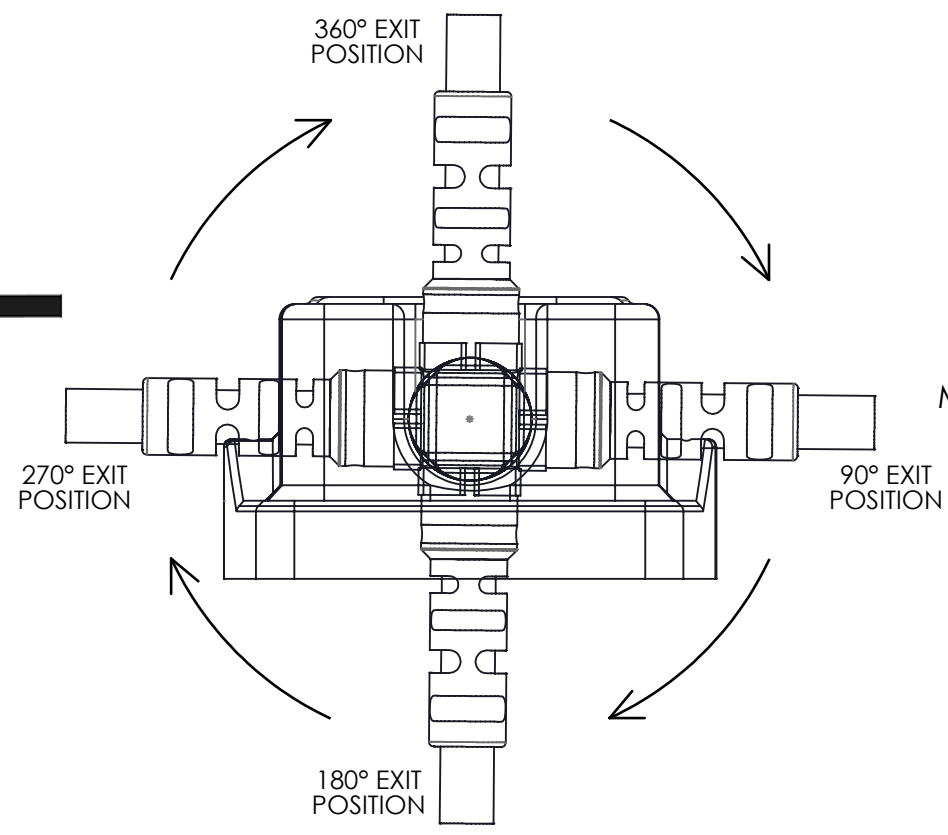
TABLE 1: FEATURE CONFIGURATIONS					
	SMBUS	10 C WIRE	4 C WIRE	SAE CONNECTOR	FRONT ENTRANCE INPUT/OUTPUT
SN-928-AYY-ZZZ	X	X		X	
SN-928-BYY-ZZZ			X	X	
SN-928-CYY-ZZZ	X	X			X
SN-928-DYY-ZZZ			X		X

TABLE 2: VOLTAGE CONFIG.		
	12 VOLT	24 VOLT
SN-928-X12-ZZZ	X	
SN-928-X24-ZZZ		X

TABLE 3: CABLE EXIT ANGLE	
PART NUMBER	EXIT ANGLE
SN-928-XYX-090D	90°
SN-928-XYX-180D	180°
SN-928-XYX-270D	270°
SN-928-XYX-380D	360°

REVISIONS			
REV.	DESCRIPTION	DATE	ENG
A	INITIAL RELEASE	6/2/23	DR

CABLE EXIT ANGLE DIAGRAM
(FRONT VIEW, SEE TABLE 3)



PART NUMBER IDENTIFICATION
SN-928-XYX-ZZZ

FEATURES
(SEE TABLE 1)

OUTPUT VOLTAGE
(SEE TABLE 2)

CABLE EXIT ANGLE
(SEE TABLE 3)

UNLESS OTHERWISE SPECIFIED:
 DIMENSIONS ARE IN: INCHES
 TOLERANCES: .XX: ± 0.03
 .XXX: ± 0.005
 ANGULAR: .X°: 1°
 .XX°: 0.5°
 BREAK EDGES: .005 - .020
 FILLETS: .005 - .020
 SURFACE FINISH:
 GEOMETRIC TOLERANCING PER: ASME Y14.5 -2009
 MATERIAL: SEE DRAWING NOTES
 FINISH: SEE DRAWING NOTES
 DO NOT SCALE DRAWING

	NAME	DATE
DRAWN	DR	6/2/23
CHECKED	MOB	6/2/23
COMMENTS:		

PROPRIETARY AND CONFIDENTIAL
 THE INFORMATION CONTAINED IN THIS DRAWING IS THE SOLE PROPERTY OF SUPPLYNET, INC. ANY REPRODUCTION IN PART OR AS A WHOLE WITHOUT THE WRITTEN PERMISSION OF SUPPLYNET INC. IS PROHIBITED.

CAGE CODE: 1HJX9

REF. NUMBER:		
TITLE:		
SN-928-XYX-ZZZ BATTERY COVER (WEB)		
SIZE	DWG. NO.	REV
B	SN-928-XYX-ZZZ	A
SCALE: NA	WEIGHT:	SHEET 1 OF 2

TABLE 4: WIRE TABLE			
SN-928-AYY-ZZZ		SN-928-CYY-ZZZ	
WIRE COLOR	TERMINATION	WIRE COLOR	TERMINATION
RED	POWER OUT (+) 12/24VDC	RED	POWER OUT (+) 12/24VDC
BLACK	POWER OUT (-) 12/24VDC	BLACK	POWER OUT (-) 12/24VDC
RED/WHITE	~	RED/WHITE	POWER IN (+) (10.5V-19.5V FOR SN-928-X12, 20V-36V FOR SN-928-X24)
BLACK/WHITE	~	BLACK/WHITE	POWER IN (-) (10.5V-19.5V FOR SN-928-X12, 20V-36V FOR SN-928-X24)
BROWN	CLK (1-4)	BROWN	CLK (1-4)
ORANGE	DATA (1-4)	ORANGE	DATA (1-4)
YELLOW	REF. (1-4)	YELLOW	REF. (1-4)
BLUE	CLK (2-5)	BLUE	CLK (2-5)
VIOLET	DATA (2-5)	VIOLET	DATA (2-5)
GREY	REF. (2-5)	GREY	REF. (2-5)
SAE CONNECTOR	POWER IN (10.5V-19.5V FOR SN-928-X12, 20V-38V FOR SN-928-X24)		
SN-928-BYY-ZZZ		SN-928-DYY-ZZZ	
WIRE COLOR	TERMINATION	WIRE COLOR	TERMINATION
RED	POWER OUT (+) 12/24VDC	RED	POWER OUT (+) 12/24VDC
BLACK	POWER OUT (-) 12/24VDC	BLACK	POWER OUT (-) 12/24VDC
WHITE	~	WHITE	POWER IN (+) (10.5V-19.5V FOR SN-928-X12, 20V-36V FOR SN-928-X24)
GREEN	~	GREEN	POWER IN (-) (10.5V-19.5V FOR SN-928-X12, 20V-36V FOR SN-928-X24)
SAE CONNECTOR	POWER IN (10.5V-19.5V FOR SN-928-X12, 20V-36V FOR SN-928-X24)		

OPERATIONAL NOTES

- Input Charging Voltage: 10.5 - 36.0 VDC with 2A draw
- Output Voltage: 12VDC @10 Amps
Output Voltage: 24VDC @5 Amps
- Optional Daughter Board allows for 24VDC @ 10 Amps Continuous.
- Input connector: SAE 2 Pin (on SN-928-AYY-ZZZ & SN-928-BYY-ZZZ)
- Input power charges battery and passes power over to load (Battery Not Used)
- State of Charge indicator (while charging)
- Battery Fuel indicator (when on battery power)
LED's illuminate for 2 seconds when switch is depressed
- On/Off switch to power down circuit during storage (Depress for 5 seconds)
- Unit powers up when external power is applied
- Switchover time < 2ms
- Switchover threshold for 12V models: 9.8V
- Switchover threshold for 24V models: 20V
- Custom switchover voltage thresholds are available
- All SMBus pins populated (on SN-928-AYY-ZZZ & SN-928-CYY-ZZZ)
- Cable length: 72.0" Standard, Custom lengths available
- Wire: AWG 16/AWG 22
- Weight: 12 oz.
- Watertight Up to 16cm depth.
- Environmental strap impervious to UV light
- Operating Temperature: -40°C to +60°C
- Rugged design to absorb impact
- Designed for BB-2590 Batteries

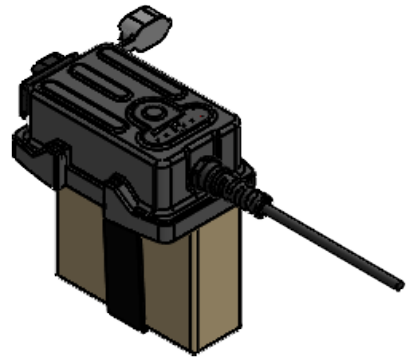
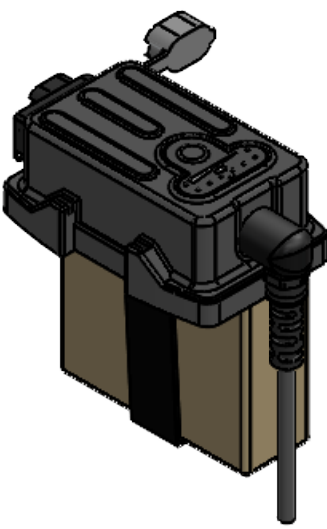
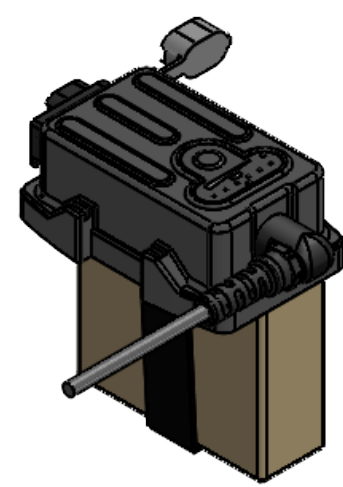


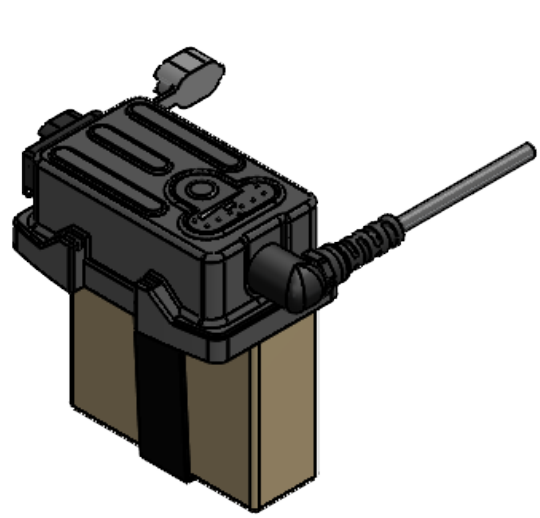
TABLE 5: FUEL GAGE INDICATOR KEY		
LED COLOR	STATUS	
WHILE CHARGING		
BLINKING RED	NO BATTERY OR DEFECTIVE BATTERY	
BLINKING YELLOW	CONDITIONING/BULK CHARGING (0-90%)	
BLINKING GREEN	TOPPING OFF (CHARGE CURRENT BELOW 10%, 3 HOUR DURATION)	
SOLID GREEN	BATTERY CHARGE CYCLE FINISH, 100% CHARGED	
NOT CHARGING		
	12V MODE	24V MODE
6 LED	ABOVE 16.2V	ABOVE 32V
5 LED	ABOVE 15.7V	ABOVE 31.4V
4 LED	ABOVE 15.2V	ABOVE 30.4V
3 LED	ABOVE 14.8V	ABOVE 29.6V
2 LED	ABOVE 14.2V	ABOVE 28.4V
1 LED	ABOVE 14.2V UNTIL DRAINED	ABOVE 28.4V UNTIL DRAINED



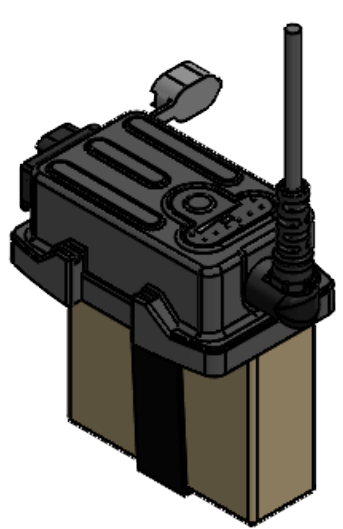
SN-928-C12-180D



SN-928-A24-270D

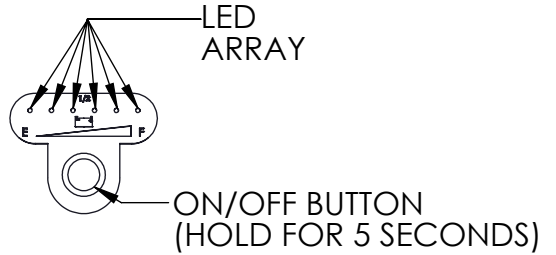


SN-928-C12-090D



SN-928-A24-360

FUEL GAGE



PROPRIETARY AND CONFIDENTIAL
THE INFORMATION CONTAINED IN THIS DRAWING IS THE SOLE PROPERTY OF SUPPLYNET, INC. ANY REPRODUCTION IN PART OR AS A WHOLE WITHOUT THE WRITTEN PERMISSION OF SUPPLYNET INC. IS PROHIBITED.

CAGE CODE: 1HJX9

REF. NUMBER:		
SupplyNet		DESIGN ENGINEERING MANUFACTURING
TITLE:		
SN-928-XYX-ZZZ BATTERY COVER (WEB)		
SIZE	DWG. NO.	REV
B	SN-928-XYX-ZZZ	A
SCALE: NA	WEIGHT:	SHEET 2 OF 2

DO NOT SCALE DRAWING