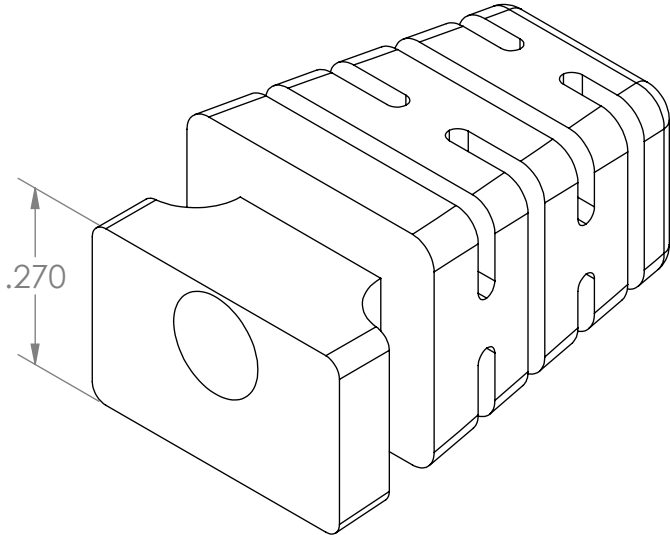
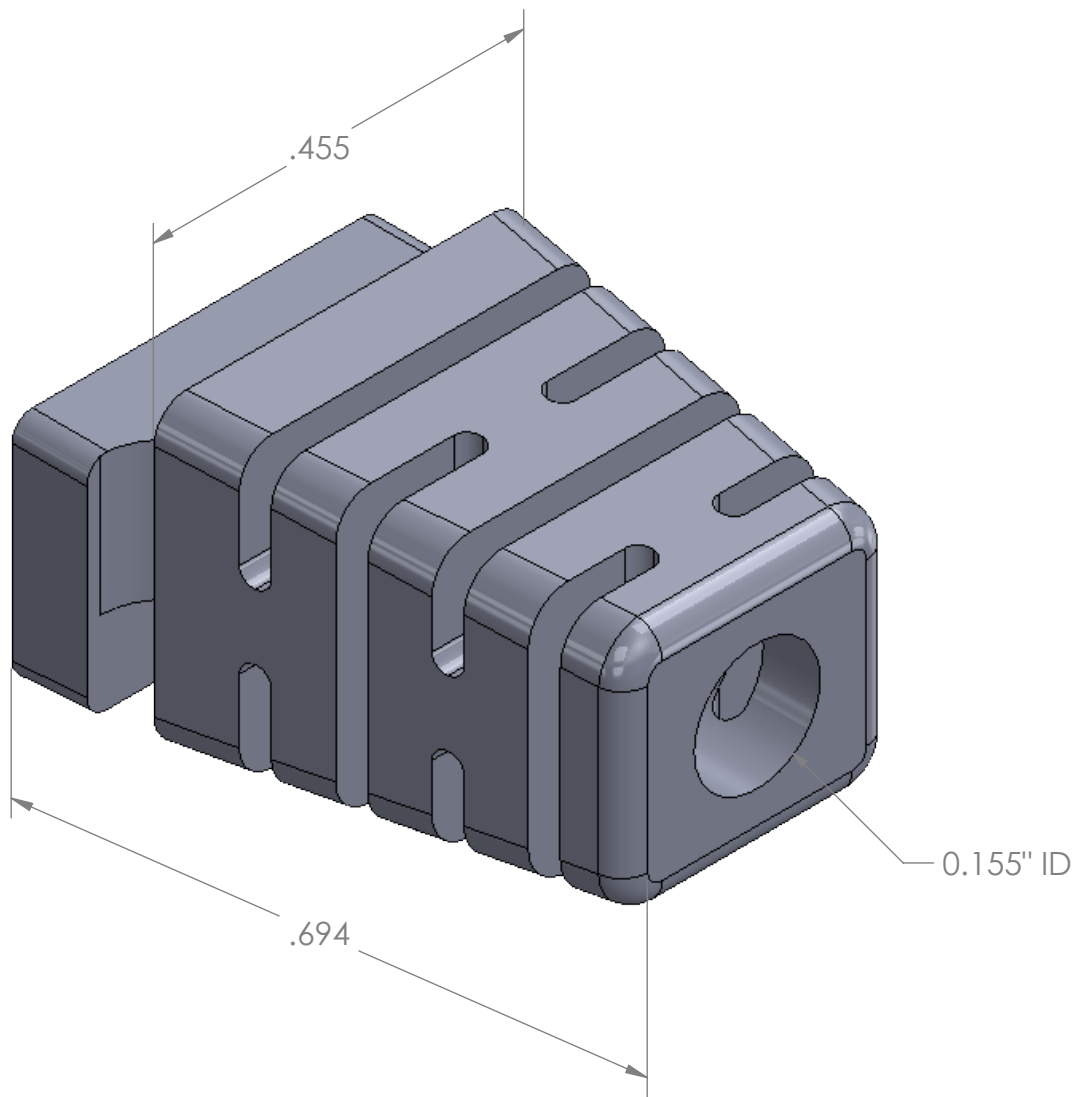



REV	DATE	DESCRIPTION OF CHANGE	ENG
A	9/7/15	INITIAL RELEASE	LS



**MATERIAL: PVC**

UNLESS OTHERWISE SPECIFIED:  
 DIMENSIONS ARE IN: INCHES  
 TOLERANCES: .XX: ± 0.03  
 .XXX: ± 0.005  
 ANGULAR: .X°: 1°  
 .XX°: 0.5°  
 BREAK EDGES: .005 - .020  
 FILLETS: .005 - .020  
 SURFACE FINISH:  
 GEOMETRIC TOLERANCING  
 PER: ASME Y14.5 -2009  
 MATERIAL: SEE DRAWING NOTES  
 FINISH: SEE DRAWING NOTES  
 DO NOT SCALE DRAWING

NAME	DATE
DRAWN LS	DATE
CHECKED RB	DATE
COMMENTS:	
<b>PROPRIETARY AND CONFIDENTIAL</b> THE INFORMATION CONTAINED IN THIS DRAWING IS THE SOLE PROPERTY OF SUPPLYNET, INC. ANY REPRODUCTION IN PART OR AS A WHOLE WITHOUT THE WRITTEN PERMISSION OF SUPPLYNET INC. IS PROHIBITED.	
<b>CAGE CODE: 1HJX9</b>	

REF. NUMBER: SN0479	
 706 EXECUTIVE BLVD. SUITE B VALLEY COTTAGE, NY 10989	
TITLE: STRAIN RELIEF, 0.15" DIA	
SIZE <b>B</b>	DWG. NO. FE-502-16A
SCALE: NA	WEIGHT: SHEET 1 OF 1

D  
C  
B  
A

D  
C  
B  
A

8

7

6

5

4

3

2

1

8

7

6

5

4

3

2

1