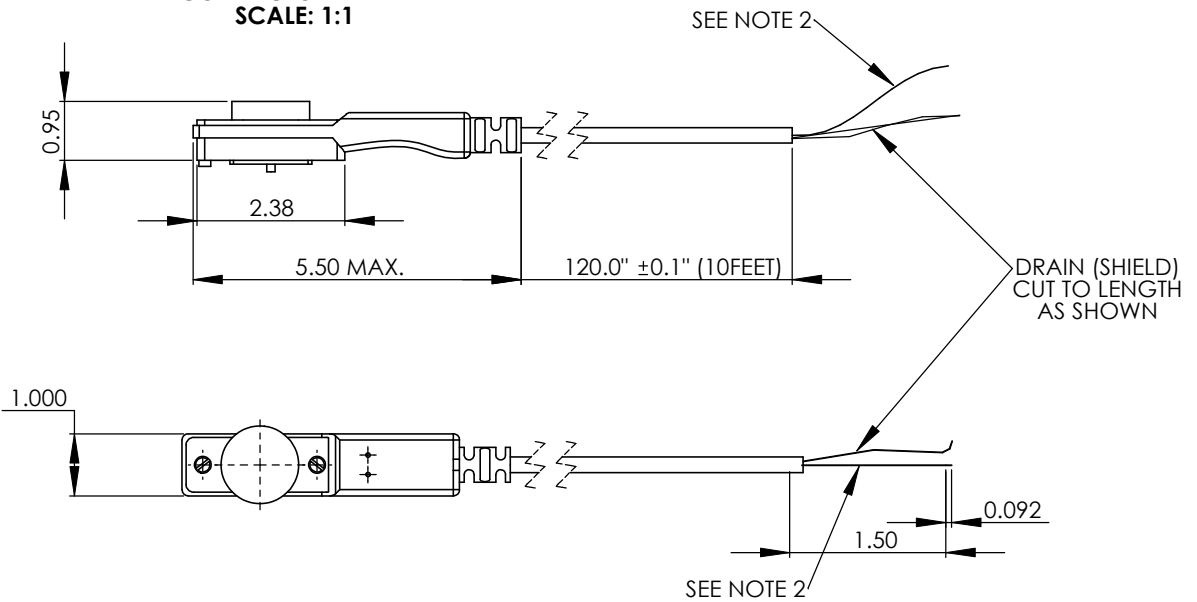
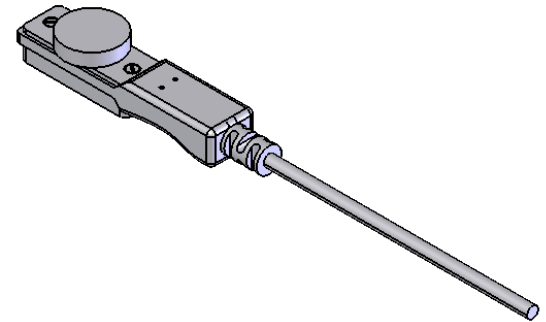
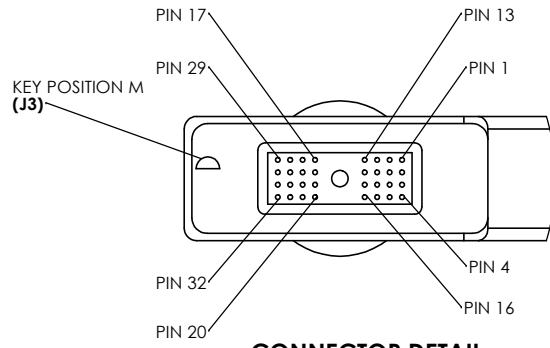


PIN NUMBERS	COLOR
1	PURPLE
3	DARK BLUE
7	LIGHT GREEN
8	WHITE
9	PINK
10	GRAY
15	BROWN
16	RED
17	LIGHT BLUE
18	YELLOW
19	DARK ORANGE
20	BLUE
24	GREEN
25	TAN
28	BLACK
29	ORANGE
30	CLEAR
31	DARK GREEN
32	CLEAR
E33	BRAIDED SHIELD
E34	BRAIDED SHIELD

—TWISTED PAIR  
—TWISTED PAIR



**NOTES:**

- 26 AWG, 19 CONDUCTOR, 0.260±0.010 INCHES OD, TPE JACKET WIRE
- ALL WIRES TO BE STRIPPED AND TINNED, AS SHOWN.
- ALL WIRES NOT SHOWN.

UNLESS OTHERWISE SPECIFIED:		NAME	DATE	<b>SupplyNet</b> 614 CORPORATE WAY SUITE 8M VALLEY COTTAGE, NY 10980 CAGE CODE: 1HJX9
DIMENSIONS ARE IN: INCHES		DD	07/07/09	
TOLERANCES:		CHECKED	RB	07/07/09
.XX: ± .01		COMMENTS:		
.XXX: ± .005				
ANGULAR:				
.X°				
.XX°				
INTERPRET GEOMETRIC TOLERANCING PER:		PROPRIETARY AND CONFIDENTIAL		
MATERIAL		THE INFORMATION CONTAINED IN THIS DRAWING IS THE SOLE PROPERTY OF		
A6061-T6 AL ALLOY		<INSERT COMPANY NAME HERE>. ANY REPRODUCTION IN PART OR AS A WHOLE WITHOUT THE WRITTEN PERMISSION OF		
FINISH		<INSERT COMPANY NAME HERE> IS PROHIBITED.		
ANODIZED BLACK				
DO NOT SCALE DRAWING				
		TITLE:		AN/ PRC-117G, SIDE EXIT 32 PIN INTERFACE CABLE, 6 FEET, J3 PORT VOICE, PTT, SERIAL, ETHERNET
		SIZE	DWG. NO.	REV
		<b>B</b>	TE-32M-E-10	B
		SCALE: 1:1	WEIGHT:	SHEET 1 OF 1