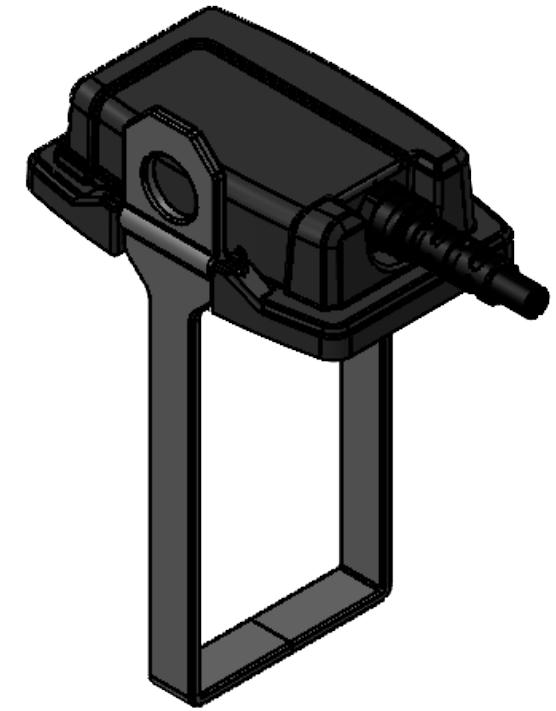
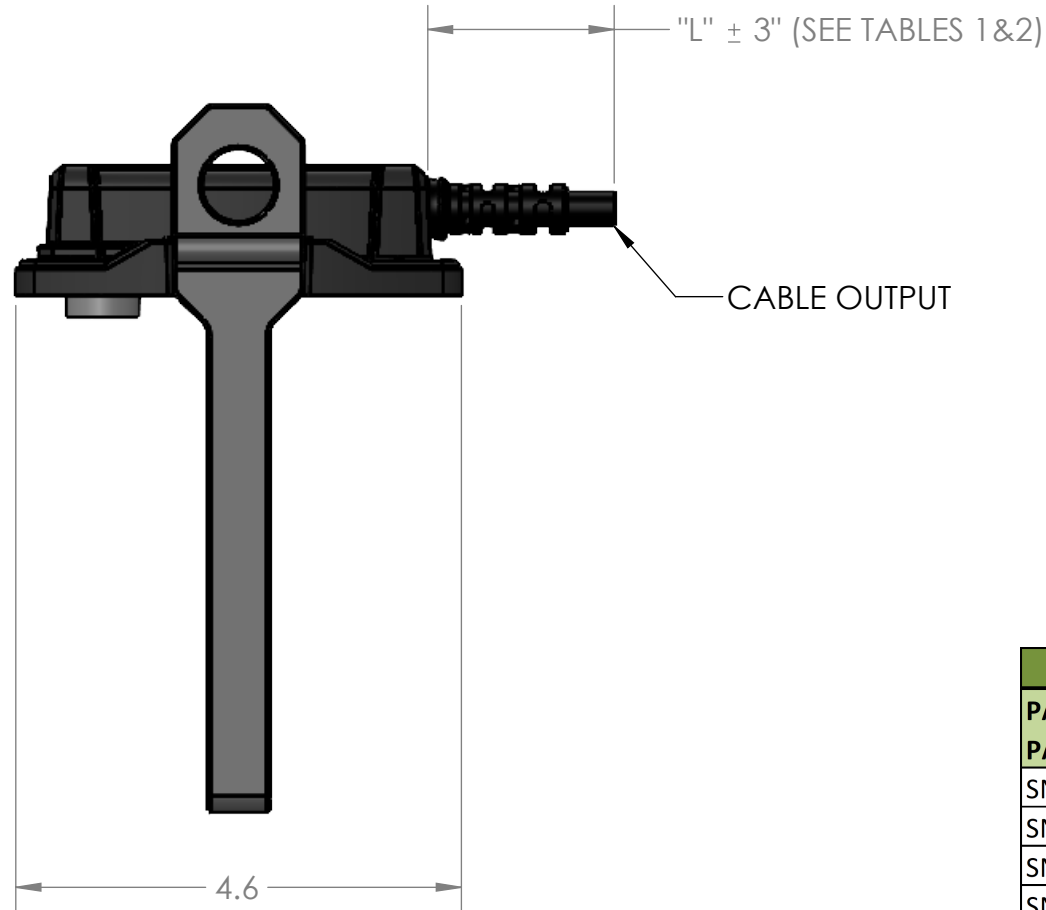
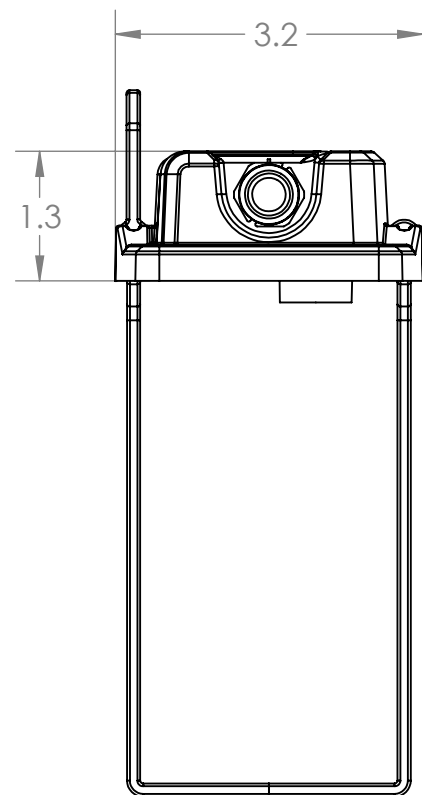


PART NUMBER DESCRIPTION

SN-406-VV-XX

= "L" CABLE LENGTH IN FEET.
REF. TABLE 1 OR 2.

12 = 12VDC OUTPUT. REF TABLE 3
24 = 24VDC OUTPUT. REF TABLE 4



REV	DATE	DESCRIPTION OF CHANGE	ENG
C	03/10/16	CHANGED WIRE COLOR PIN OUT	TC
D	7/16/21	Updated Cable length Tolerance	RAM

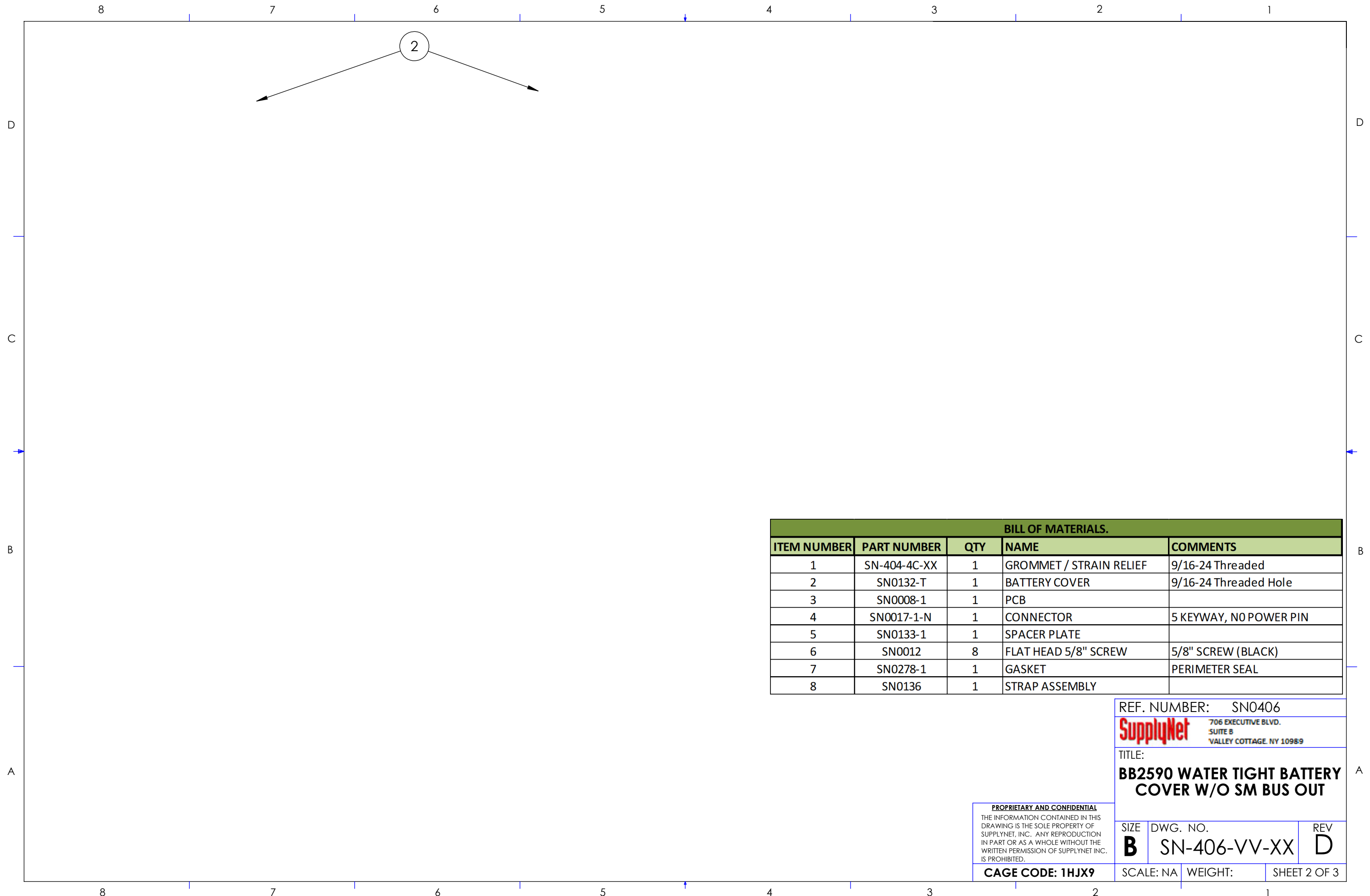
TABLE 1 (12VDC OUTPUT)		TABLE 2 (24VDC OUTPUT)	
PART NUMBER & PART MARKING	"L" DIMENSION (INCHES)	PART NUMBER & PART MARKING	"L" DIMENSION (INCHES)
SN-406-12-03	36	SN-406-24-03	36
SN-406-12-06	72	SN-406-24-06	72
SN-406-12-08	96	SN-406-24-08	96
SN-406-12-10	120	SN-406-24-10	120
SN-406-12-12	144	SN-406-24-12	144
SN-406-12-18	216	SN-406-24-18	216
SN-406-12-20	240	SN-406-24-20	240
SN-406-12-25	300	SN-406-24-25	300
SN-406-12-30	360	SN-406-24-30	360

NOTES:

- CABLE LENGTH PER PART NUMBER DESCRIPTION. SEE TABLE 1 OR 2.
- ELECTRICAL: ASSEMBLY SHALL 100% TESTED FOR CONTINUITY, SHORTS AND INSULATION RESISTANCE (100 MEGOHMS)
- PIN TO PIN RESISTANCE SHALL NOT EXCEED 2.0 OHMS.
- WIRE FUNCTION: SEE TABLE 3 OR 4.
- SOLDERING: IAW IPC-J-STD-001 CLASS II AS APPLICABLE.
- IDENTIFICATION: PLACE PART IN PLASTIC BAG AND LABEL BAG WITH THE FOLLOWING INFORMATION:
PN: SN-406-VV-XX REV X (REV MARKING PER PO & PN PER DESCRIPTION)
CAGE CODE: 1HJX9
DATE OF MFG: MM/YY

UNLESS OTHERWISE SPECIFIED:	NAME	DATE
DIMENSIONS ARE IN: INCHES	DRAWN	TC
TOLERANCES: .XX: ± 0.03	CHECKED	RJB
.XXX: ± 0.005	COMMENTS:	
ANGULAR: .X°: 1°		
.XX°: 0.5°		
BREAK EDGES: .005 - .020		
FILLET: .005 - .020		
SURFACE FINISH:		
GEOMETRIC TOLERANCING PER: ASME Y14.5 - 2009	PROPRIETARY AND CONFIDENTIAL	
MATERIAL: SEE DRAWING NOTES	THE INFORMATION CONTAINED IN THIS DRAWING IS THE SOLE PROPERTY OF SUPPLYNET, INC. ANY REPRODUCTION IN PART OR AS A WHOLE WITHOUT THE WRITTEN PERMISSION OF SUPPLYNET INC. IS PROHIBITED.	
FINISH: SEE DRAWING NOTES	CAGE CODE: 1HJX9	
DO NOT SCALE DRAWING		

REF. NUMBER: SNO406	
SupplyNet	706 EXECUTIVE BLVD. SUITE B VALLEY COTTAGE, NY 10989
TITLE: BB2590 WATER TIGHT BATTERY COVER W/O SM BUS OUT	
SIZE B	DWG. NO. SN-406-VV-XX
REV D	
SCALE: NA	WEIGHT:
SHEET 1 OF 3	



BILL OF MATERIALS.				
ITEM NUMBER	PART NUMBER	QTY	NAME	COMMENTS
1	SN-404-4C-XX	1	GROMMET / STRAIN RELIEF	9/16-24 Threaded
2	SN0132-T	1	BATTERY COVER	9/16-24 Threaded Hole
3	SN0008-1	1	PCB	
4	SN0017-1-N	1	CONNECTOR	5 KEYWAY, NO POWER PIN
5	SN0133-1	1	SPACER PLATE	
6	SN0012	8	FLAT HEAD 5/8" SCREW	5/8" SCREW (BLACK)
7	SN0278-1	1	GASKET	PERIMETER SEAL
8	SN0136	1	STRAP ASSEMBLY	

REF. NUMBER: SNO406

SupplyNet 706 EXECUTIVE BLVD.
SUITE B
VALLEY COTTAGE, NY 10989

TITLE:
BB2590 WATER TIGHT BATTERY COVER W/O SM BUS OUT

PROPRIETARY AND CONFIDENTIAL
THE INFORMATION CONTAINED IN THIS DRAWING IS THE SOLE PROPERTY OF SUPPLYNET, INC. ANY REPRODUCTION IN PART OR AS A WHOLE WITHOUT THE WRITTEN PERMISSION OF SUPPLYNET INC. IS PROHIBITED.

SIZE	DWG. NO.	REV
B	SN-406-VV-XX	D

CAGE CODE: 1HJX9	SCALE: NA	WEIGHT:	SHEET 2 OF 3
-------------------------	-----------	---------	--------------

DETAILED VIEW A

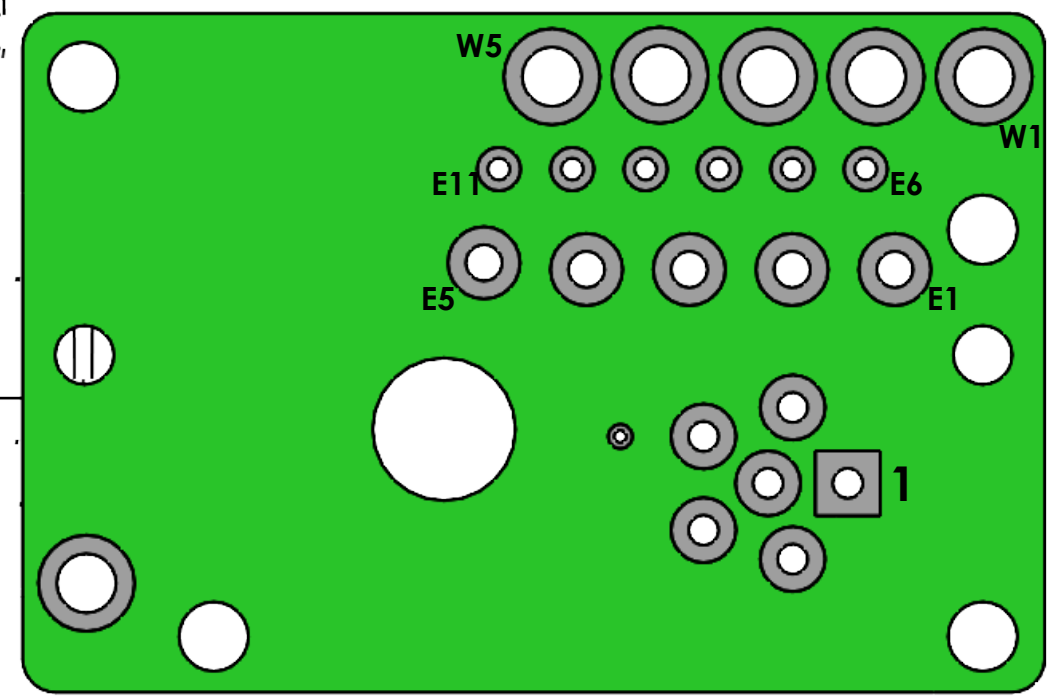
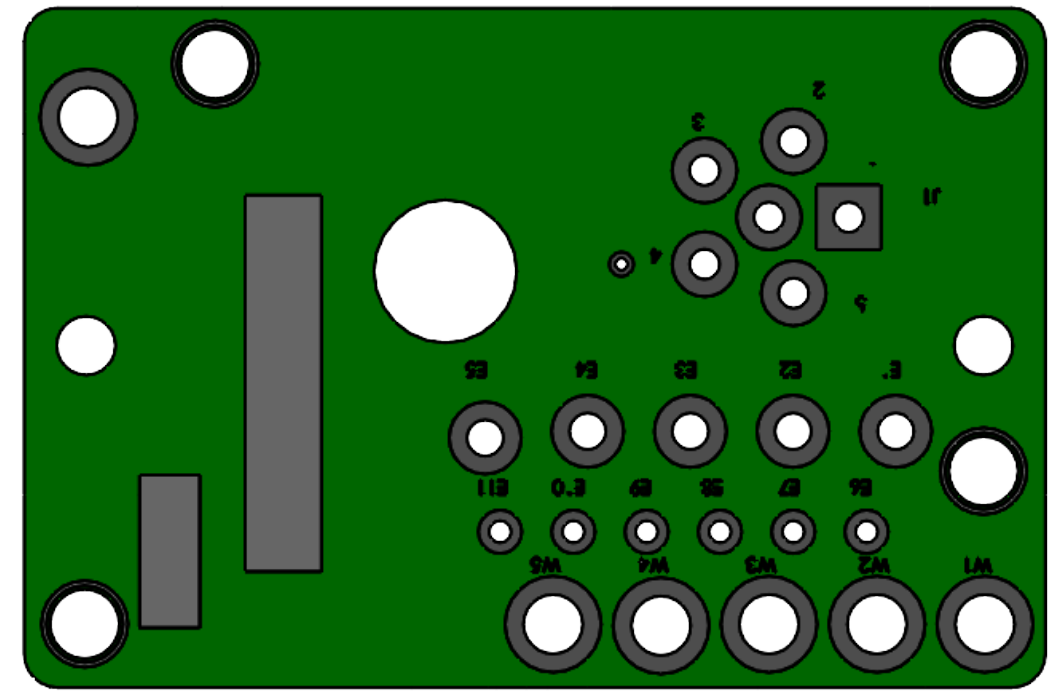
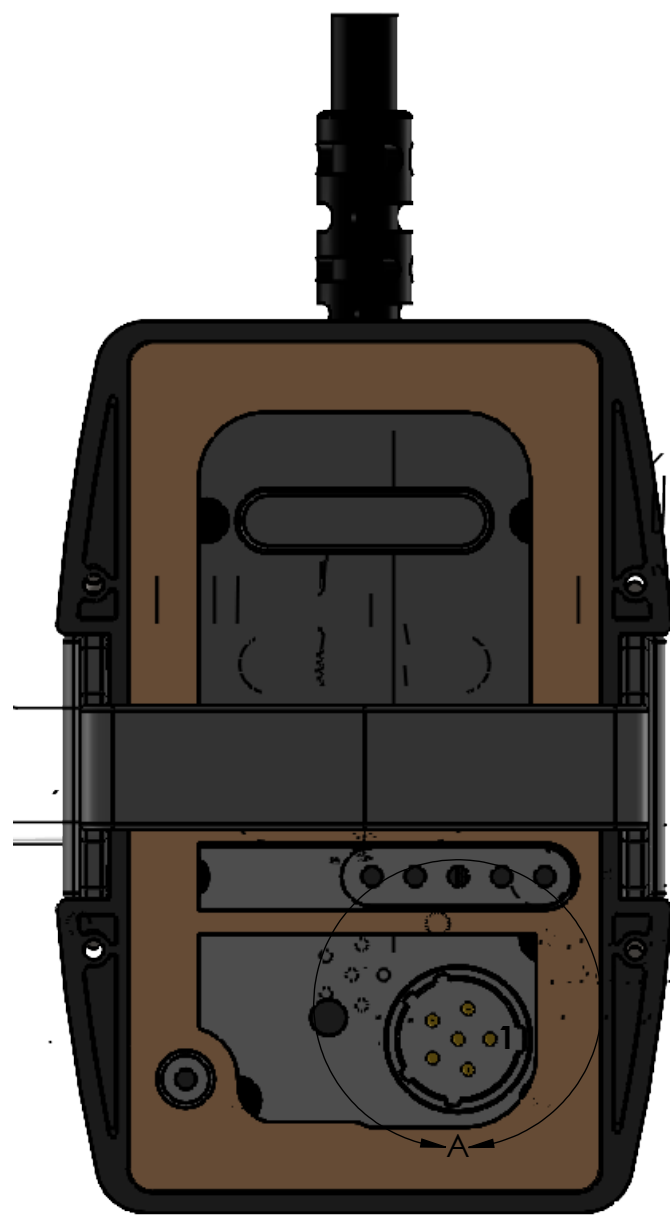
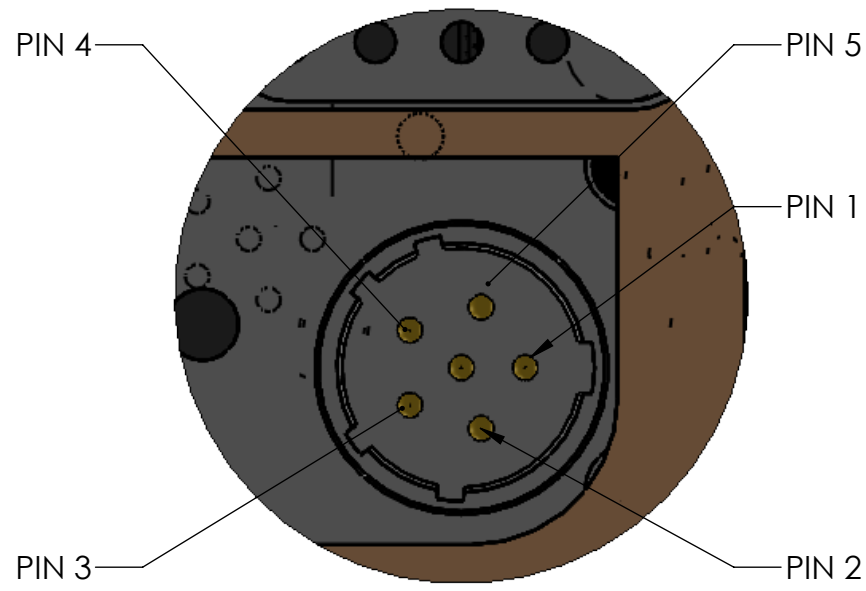
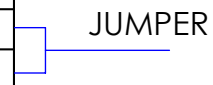


TABLE 3. 12VDC WIRE RUN LIST		
ITEM 1 (CABLE WIRE COLOR)	(CONNECTOR) PIN / FUNCTION	ITEM 6 PCB LOCATION
BLACK	SECTION A (V-)	E1
		E2
RED	SECTION A (V+)	E4
		E5



TABLE 4. 24VDC WIRE RUN LIST		
ITEM 1 (CABLE WIRE COLOR)	(CONNECTOR) PIN / FUNCTION	ITEM 6 PCB LOCATION
BLACK	SECTION A (V-)	E1
		E2
RED	SECTION B (V+)	E4
		E5



REF. NUMBER: SNO406
SupplyNet 706 EXECUTIVE BLVD.
 SUITE B
 VALLEY COTTAGE, NY 10989

TITLE:
**BB2590 WATER TIGHT BATTERY
 COVER W/O SM BUS OUT**

PROPRIETARY AND CONFIDENTIAL
 THE INFORMATION CONTAINED IN THIS
 DRAWING IS THE SOLE PROPERTY OF
 SUPPLYNET, INC. ANY REPRODUCTION
 IN PART OR AS A WHOLE WITHOUT THE
 WRITTEN PERMISSION OF SUPPLYNET INC.
 IS PROHIBITED.

SIZE DWG. NO. REV
B SN-406-VV-XX **D**

CAGE CODE: 1HJX9 SCALE: NA WEIGHT: SHEET 3 OF 3