

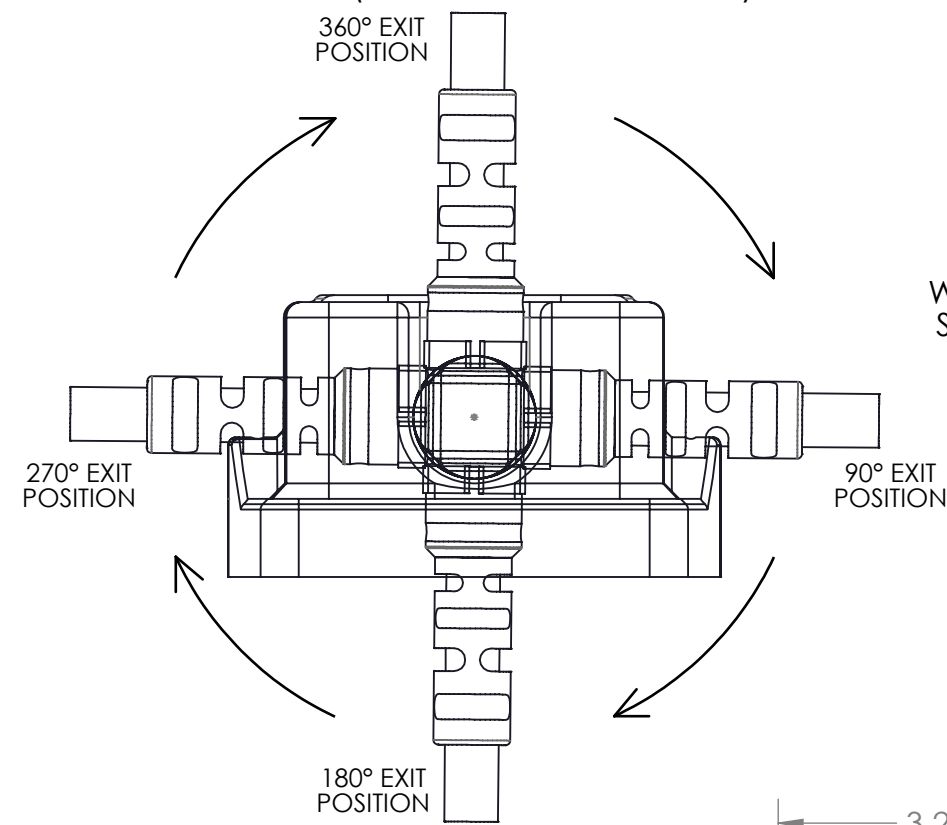
TABLE 1: FEATURE CONFIGURATIONS					
	SMBUS	10 C WIRE	4 C WIRE	SAE CONNECTOR	FRONT ENTRANCE INPUT/OUTPUT
SN-926-AYY-ZZZ	X	X		X	
SN-926-BYY-ZZZ			X	X	
SN-926-CYY-ZZZ	X	X			X
SN-926-DYY-ZZZ			X		X

TABLE 2: VOLTAGE CONFIG.		
	12 VOLT	24 VOLT
SN-926-X12-ZZZ	X	
SN-926-X24-ZZZ		X

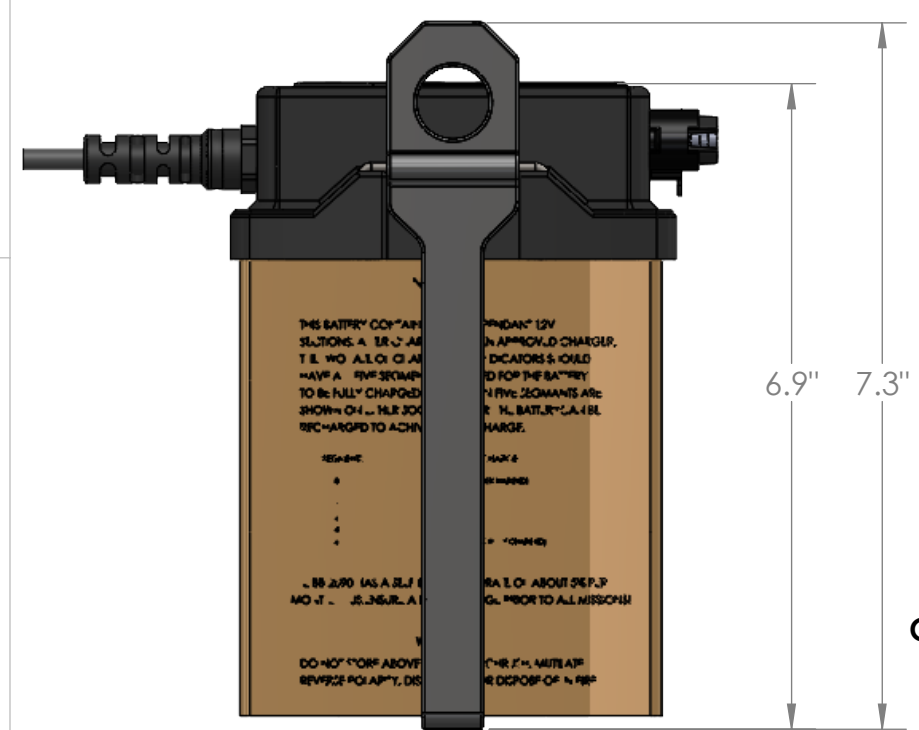
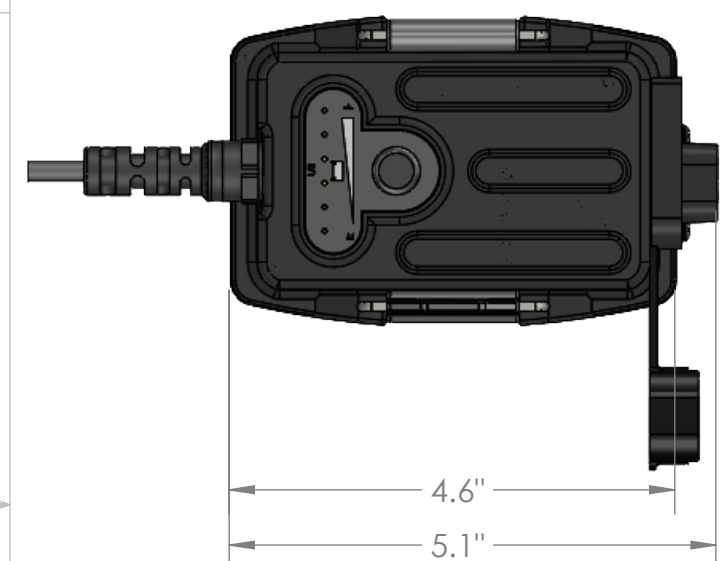
TABLE 3: CABLE EXIT ANGLE	
PART NUMBER	EXIT ANGLE
SN-926-XYX-090D	90°
SN-926-XYX-180D	180°
SN-926-XYX-270D	270°
SN-926-XYX-360D	360°

REVISIONS			
REV.	DESCRIPTION	DATE	ENG
J	CLARIFIED INPUT VOLTAGE RANGE	5/31/222	MOB
K	TABLE 4 & NOTES UPDATED	11/9/23	CWA

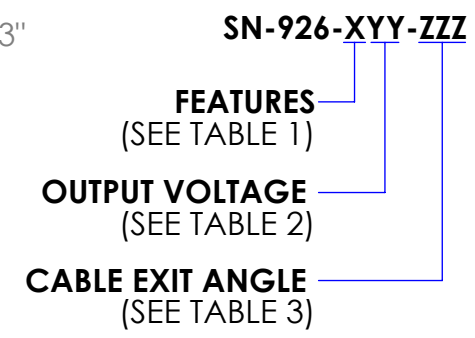
CABLE EXIT ANGLE DIAGRAM
(FRONT VIEW, SEE TABLE 3)



WIRE EXIT 72.0" ± 2.0"
STANDARD LENGTH
-CUSTOM LENGTH
AVAILABLE

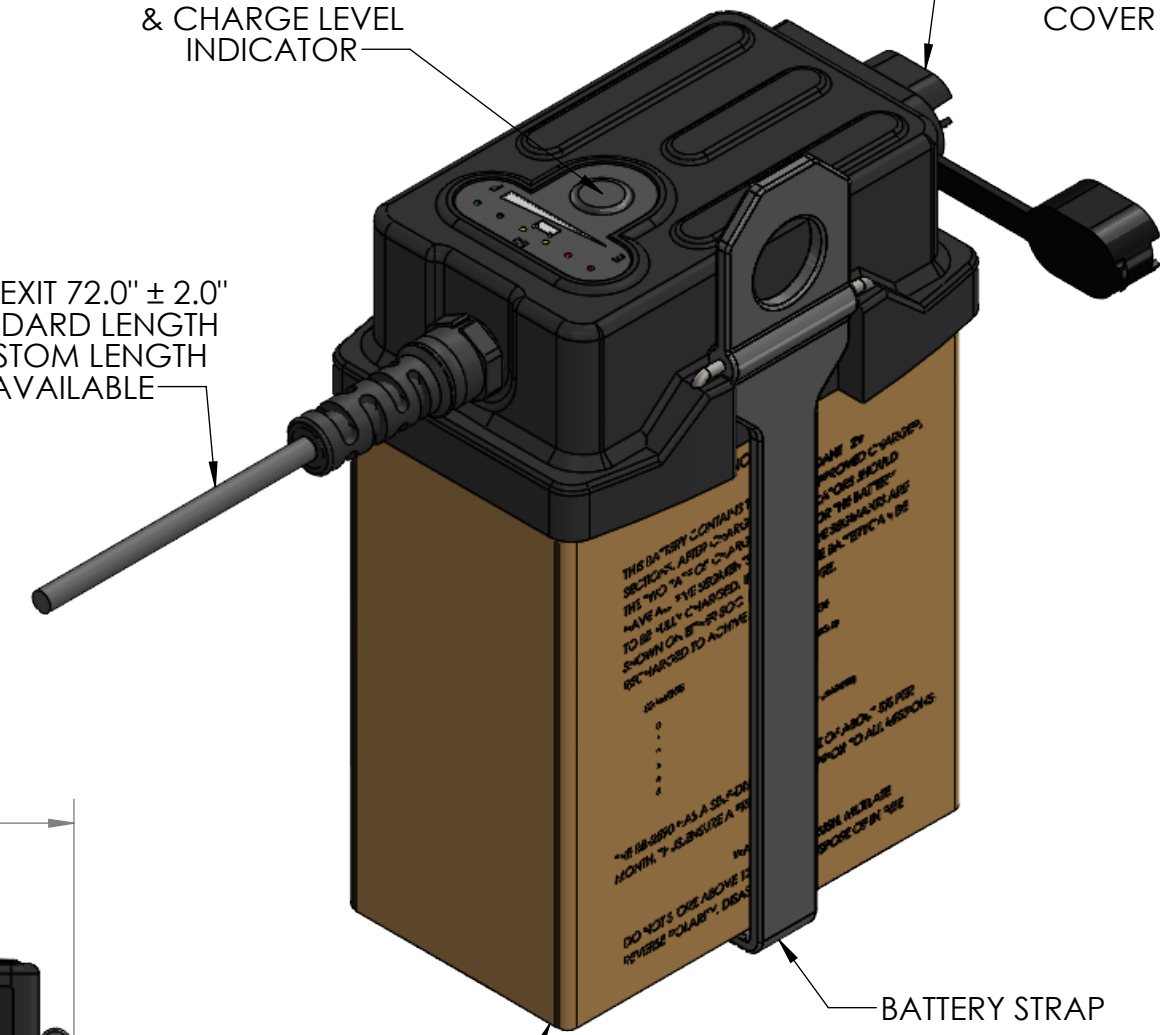


PART NUMBER IDENTIFICATION



MEMBRANE SWITCH & CHARGE LEVEL INDICATOR

SAE CONNECTOR WITH DUST COVER



BB-2590 BATTERY (NOT INCLUDED)

UNLESS OTHERWISE SPECIFIED:
DIMENSIONS ARE IN: INCHES
TOLERANCES: .XX: ± 0.03
.XXX: ± 0.005
ANGULAR: .X°: 1°
.XX°: 0.5°
BREAK EDGES: .005 - .020
FILLETS: .005 - .020
SURFACE FINISH:
GEOMETRIC TOLERANCING
PER: ASME Y14.5 -2009
MATERIAL: SEE DRAWING NOTES
FINISH: SEE DRAWING NOTES
DO NOT SCALE DRAWING

NAME	DATE
DRAWN LS	10/18/16
CHECKED TC	10/18/16
COMMENTS:	
PROPRIETARY AND CONFIDENTIAL THE INFORMATION CONTAINED IN THIS DRAWING IS THE SOLE PROPERTY OF SUPPLYNET, INC. ANY REPRODUCTION IN PART OR AS A WHOLE WITHOUT THE WRITTEN PERMISSION OF SUPPLYNET INC. IS PROHIBITED.	
CAGE CODE: 1HJX9	

REF. NUMBER:	SN0328
TITLE:	SN-926-XYX-ZZZ BATTERY COVER (WEB)
SIZE B	DWG. NO. SN-926-XYX-ZZZ
SCALE: NA	WEIGHT:
REV K	SHEET 1 OF 2

TABLE 4: WIRE TABLE			
SN-926-AYY-ZZZ		SN-926-CYY-ZZZ	
WIRE COLOR	TERMINATION	WIRE COLOR	TERMINATION
RED	POWER OUT (+) 12/24VDC	RED	POWER OUT (+) 12/24VDC
BLACK	POWER OUT (-) 12/24VDC	BLACK	POWER OUT (-) 12/24VDC
RED/WHITE	~	RED/WHITE	POWER IN (+) (10.5V-19.5V FOR SN-926-X12, 20V-36V FOR SN-926-X24)
BLACK/WHITE	~	BLACK/WHITE	POWER IN (-) (10.5V-19.5V FOR SN-926-X12, 20V-36V FOR SN-926-X24)
BROWN	CLK (1-4)	BROWN	CLK (1-4)
ORANGE	DATA (1-4)	ORANGE	DATA (1-4)
YELLOW	REF. (1-4)	YELLOW	REF. (1-4)
BLUE	CLK (2-5)	BLUE	CLK (2-5)
VIOLET	DATA (2-5)	VIOLET	DATA (2-5)
GREY	REF. (2-5)	GREY	REF. (2-5)
SAE CONNECTOR	POWER IN (10.5V-19.5V FOR SN-926-X12, 20V-36V FOR SN-926-X24)		
SN-926-BYY-ZZZ		SN-926-DYY-ZZZ	
WIRE COLOR	TERMINATION	WIRE COLOR	TERMINATION
RED	POWER OUT (+) 12/24VDC	RED	POWER OUT (+) 12/24VDC
BLACK	POWER OUT (-) 12/24VDC	BLACK	POWER OUT (-) 12/24VDC
WHITE	~	WHITE	POWER IN (+) (10.5V-19.5V FOR SN-926-X12, 20V-36V FOR SN-926-X24)
GREEN	~	GREEN	POWER IN (-) (10.5V-19.5V FOR SN-926-X12, 20V-36V FOR SN-926-X24)
SAE CONNECTOR	POWER IN (10.5V-19.5V FOR SN-926-X12, 20V-36V FOR SN-926-X24)		

OPERATIONAL NOTES

- Input Charging Voltage: 12V: 10.5 - 19.5VDC with 1.5-2.0A draw
24V: 20.0 - 36.0VDC with 2.0A draw
- If unit is OFF and input voltage is applied. Unit will automatically wake and begin passing-thru power and charging the battery.
- Output Voltage: 12VDC Unregulated @15 Amps
Output Voltage: 24VDC Unregulated @10 Amps
- Input connector: SAE 2 Pin (on SN-926-AYY-ZZZ & SN-926-BYY-ZZZ)
- Input power charges battery and passes power over to load (Battery Not Used)
- State of Charge indicator (while charging)
- Battery Fuel indicator (when on battery power)
LED's illuminate for 2 seconds when switch is depressed
- On/Off switch to power down circuit during storage (Depress for 5 seconds)
- Unit powers up when external power is applied
- Switchover time < 2ms
- Switchover threshold for 12V models: 9.8V
- Switchover threshold for 24V models: 20V
- Custom switchover voltage thresholds are available
- All SMBus pins populated (on SN-926-AYY-ZZZ & SN-926-CYY-ZZZ)
- Cable length: 72.0" Standard, Custom lengths available
- Wire: AWG 16/AWG 22
- Weight: 12 oz.
- Watertight Up to 16cm depth.
- Environmental strap impervious to UV light
- Operating Temperature: -40°C to +60°C
- Rugged design to absorb impact
- Designed for BB-2590 Batteries
- Other custom solutions include, but are not limited to:
 - Velcro Strap: Replace rubber strap with Velcro strap.
 - Remote Fuel Gauge: Extend fuel gauge away from cap. Allows Fuel Gauge to be panel mounted.
 - Auto ON: Unit automatically turns on when placed onto battery.

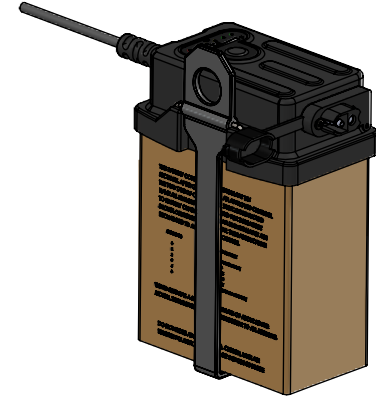
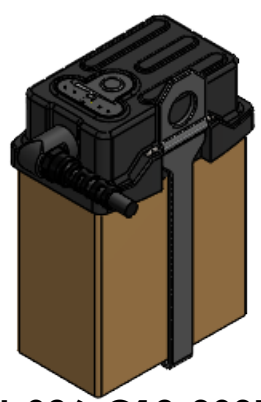
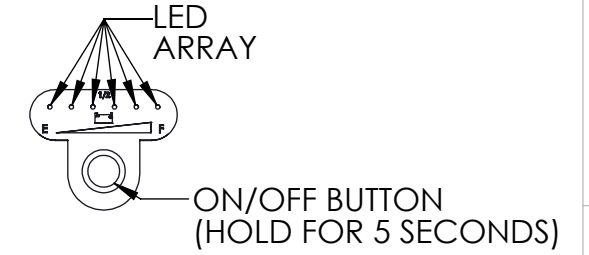
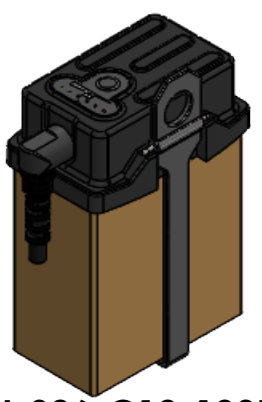


TABLE 5: FUEL GAGE INDICATOR KEY		
LED COLOR	STATUS	
WHILE CHARGING		
BLINKING RED	NO BATTERY OR DEFECTIVE BATTERY	
BLINKING YELLOW	CONDITIONING/BULK CHARGING (0-90%)	
BLINKING GREEN	TOPPING OFF (CHARGE CURRENT BELOW 10%, 3 HOUR DURATION)	
SOLID GREEN	BATTERY CHARGE CYCLE FINISH, 100% CHARGED	
NOT CHARGING		
	12V MODE	24V MODE
6 LED	ABOVE 16.2V	ABOVE 32V
5 LED	ABOVE 15.7V	ABOVE 31.4V
4 LED	ABOVE 15.2V	ABOVE 30.4V
3 LED	ABOVE 14.8V	ABOVE 29.6V
2 LED	ABOVE 14.2V	ABOVE 28.4V
1 LED	ABOVE 14.2V UNTIL DRAINED	ABOVE 28.4V UNTIL DRAINED

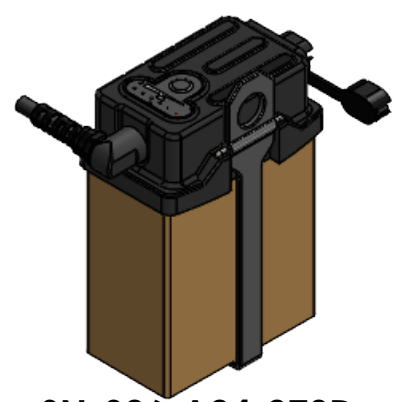
FUEL GAUGE



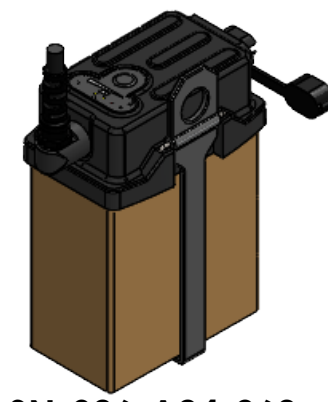
SN-926-C12-090D



SN-926-C12-180D



SN-926-A24-270D



SN-926-A24-360

UNLESS OTHERWISE SPECIFIED:
 DIMENSIONS ARE IN: INCHES
 TOLERANCES: .XX: ± 0.03
 .XXX: ± 0.005
 ANGULAR: .X°:]°
 .XX*: 0.5°
 BREAK EDGES: .005 - .020
 FILLETS: .005 - .020
 SURFACE FINISH:
 GEOMETRIC TOLERANCING
 PER: ASME Y14.5 -2009
 MATERIAL: SEE DRAWING NOTES
 FINISH: SEE DRAWING NOTES
 DO NOT SCALE DRAWING

NAME	DATE
DRAWN: LS	10/18/16
CHECKED: TC	10/18/16
COMMENTS:	

REF. NUMBER: SN0328
SupplyNet DESIGN ENGINEERING MANUFACTURING
TITLE: SN-926-XYX-ZZZ BATTERY COVER (WEB)
SIZE: B DWG. NO.: SN-926-XYX-ZZZ REV: K
CAGE CODE: 1HJX9 SCALE: NA WEIGHT: SHEET 2 OF 2

PROPRIETARY AND CONFIDENTIAL
 THE INFORMATION CONTAINED IN THIS DRAWING IS THE SOLE PROPERTY OF SUPPLYNET, INC. ANY REPRODUCTION IN PART OR AS A WHOLE WITHOUT THE WRITTEN PERMISSION OF SUPPLYNET INC. IS PROHIBITED.