

8

7

6

5

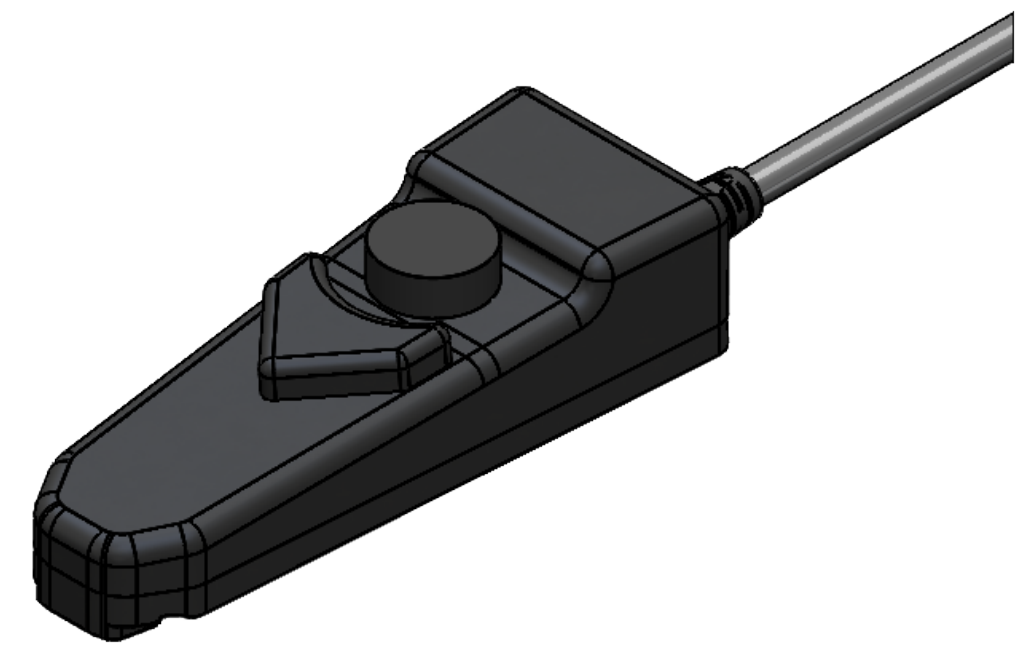
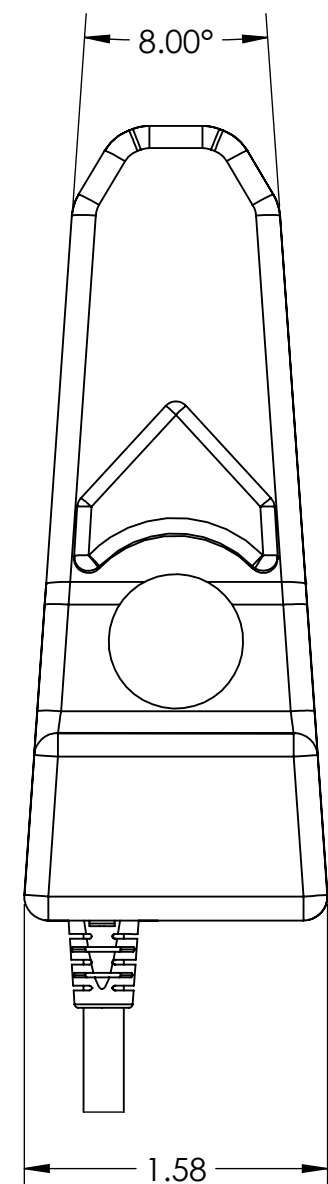
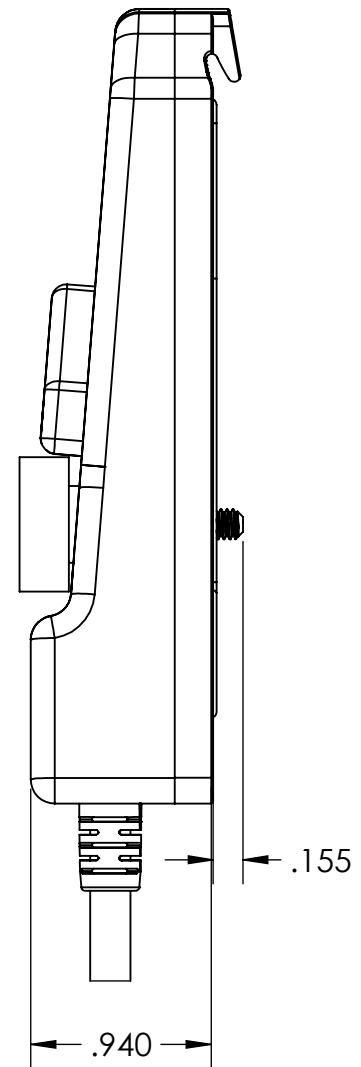
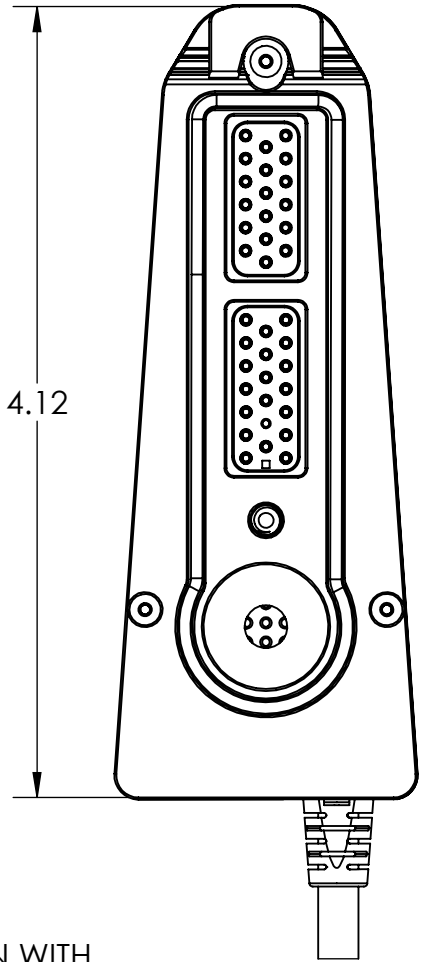
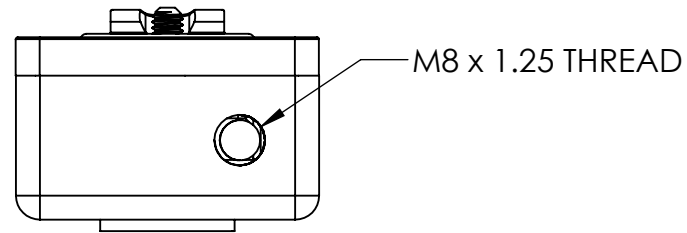
4

3

2

1

REVISIONS			
REV.	DESCRIPTION	DATE	ENG
A	INITIAL REV.	5/09/2022	MOB
B	CHANGED BACK COVER CABLE EXIT	5/16/2022	MOB



*SHOWN WITH
M8 x 1.25 THREADED
STRAIN RELIEF & 12C CABLE

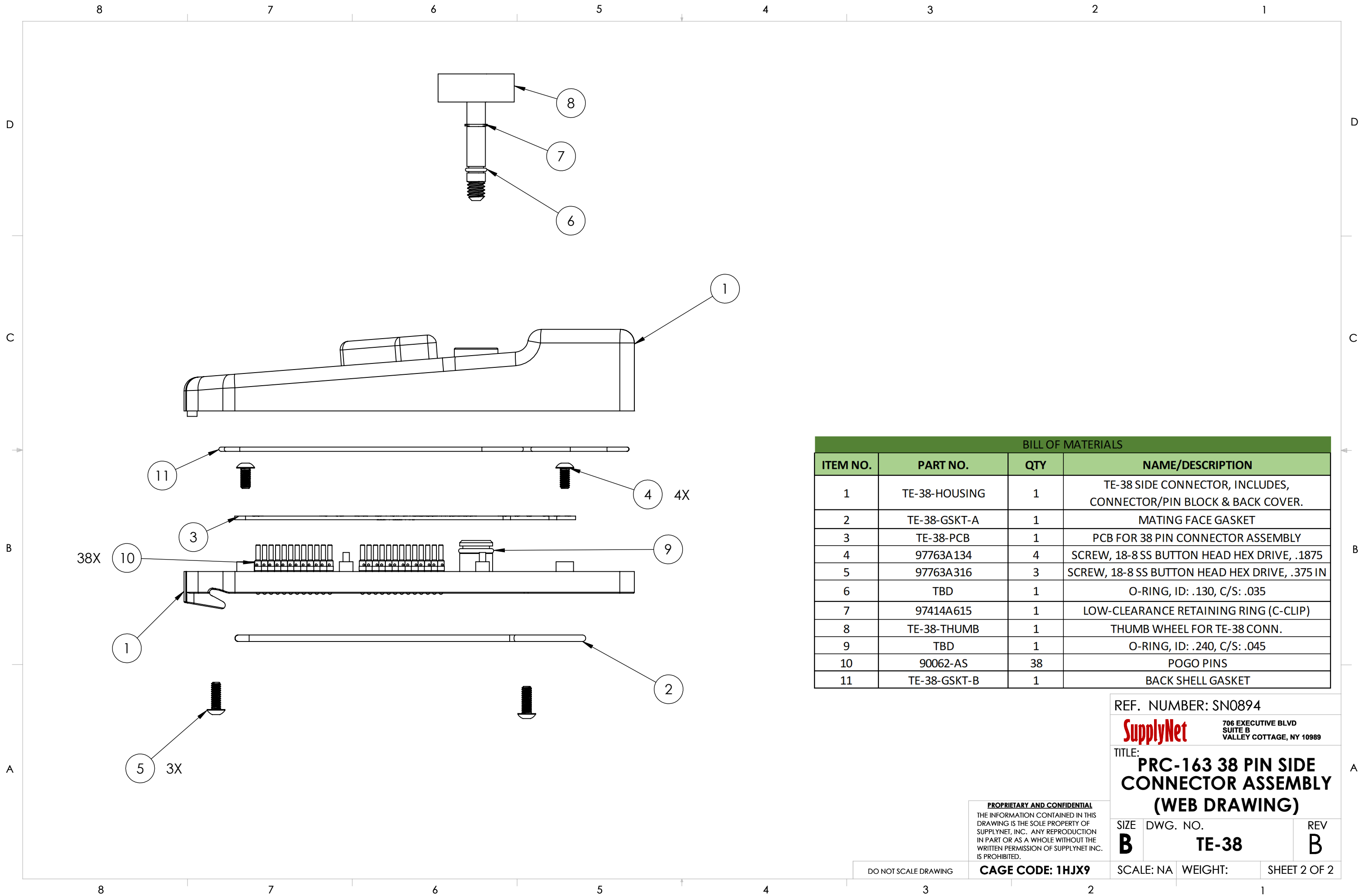
HOUSING MATERIAL: BLACK ANODIZED ALUMINUM
THUMB WHEEL MATERIAL: BLACK OXIDE STAINLESS STEEL

- NOTES:
- SOLDERING: IAW IPC-J-STD-001 CLASS 2 AS APPLICABLE.
 - IDENTIFICATION: BAG AND IDENTIFY ON THE PACKAGING THE FOLLOWING INFORMATION FOR EACH PART DELIVERED.
PN: TE-38 REV. X (REV MARKING PER PO)
CAGE CODE: 1HJX9
MFD: MM/YY
 - MANUFACTURE AND INSPECT IAW IPC/WHMA A-620 CLASS 2.

UNLESS OTHERWISE SPECIFIED:
DIMENSIONS ARE IN: INCHES
TOLERANCES: .XX: ± 0.03
.XXX: ± 0.005
ANGULAR: .X°: 1°
.XX°: 0.5°
BREAK EDGES: .005 - .020
FILLETS: .005 - .020
SURFACE FINISH:
GEOMETRIC TOLERANCING
PER: ASME Y14.5 -2009
MATERIAL: SEE DRAWING NOTES
FINISH: SEE DRAWING NOTES
DO NOT SCALE DRAWING

	NAME	DATE
DRAWN	MOB	05/10/22
CHECKED	RB	05/10/22
COMMENTS:		
PROPRIETARY AND CONFIDENTIAL THE INFORMATION CONTAINED IN THIS DRAWING IS THE SOLE PROPERTY OF SUPPLYNET, INC. ANY REPRODUCTION IN PART OR AS A WHOLE WITHOUT THE WRITTEN PERMISSION OF SUPPLYNET INC. IS PROHIBITED.		
CAGE CODE: 1HJX9		

REF. NUMBER: SN0894		
SupplyNet		706 EXECUTIVE BLVD SUITE B VALLEY COTTAGE, NY 10989
TITLE: PRC-163 38 PIN SIDE CONNECTOR ASSEMBLY (WEB DWG)		
SIZE B	DWG. NO. TE-38	REV B
SCALE: NA	WEIGHT:	SHEET 1 OF 2



BILL OF MATERIALS			
ITEM NO.	PART NO.	QTY	NAME/DESCRIPTION
1	TE-38-HOUSING	1	TE-38 SIDE CONNECTOR, INCLUDES, CONNECTOR/PIN BLOCK & BACK COVER.
2	TE-38-GSKT-A	1	MATING FACE GASKET
3	TE-38-PCB	1	PCB FOR 38 PIN CONNECTOR ASSEMBLY
4	97763A134	4	SCREW, 18-8 SS BUTTON HEAD HEX DRIVE, .1875
5	97763A316	3	SCREW, 18-8 SS BUTTON HEAD HEX DRIVE, .375 IN
6	TBD	1	O-RING, ID: .130, C/S: .035
7	97414A615	1	LOW-CLEARANCE RETAINING RING (C-CLIP)
8	TE-38-THUMB	1	THUMB WHEEL FOR TE-38 CONN.
9	TBD	1	O-RING, ID: .240, C/S: .045
10	90062-AS	38	POGO PINS
11	TE-38-GSKT-B	1	BACK SHELL GASKET

PROPRIETARY AND CONFIDENTIAL
 THE INFORMATION CONTAINED IN THIS DRAWING IS THE SOLE PROPERTY OF SUPPLYNET, INC. ANY REPRODUCTION IN PART OR AS A WHOLE WITHOUT THE WRITTEN PERMISSION OF SUPPLYNET INC. IS PROHIBITED.

DO NOT SCALE DRAWING

CAGE CODE: 1HJX9

REF. NUMBER: SN0894
SupplyNet 706 EXECUTIVE BLVD
 SUITE B VALLEY COTTAGE, NY 10989
 TITLE: **PRC-163 38 PIN SIDE CONNECTOR ASSEMBLY (WEB DRAWING)**

SIZE B	DWG. NO. TE-38	REV B
------------------	--------------------------	-----------------

SCALE: NA	WEIGHT:	SHEET 2 OF 2
-----------	---------	--------------