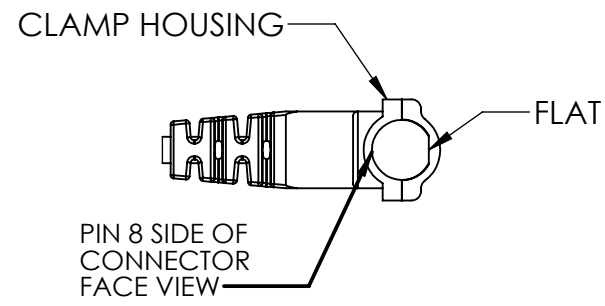
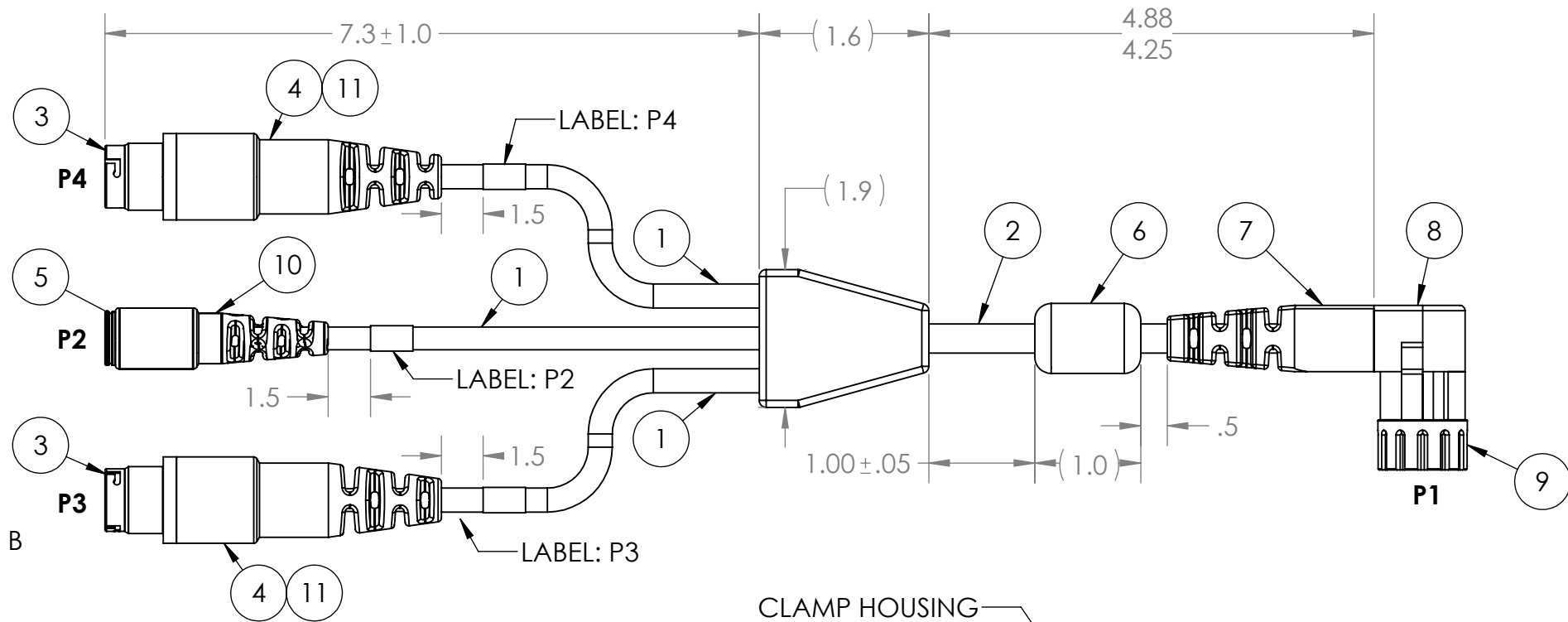
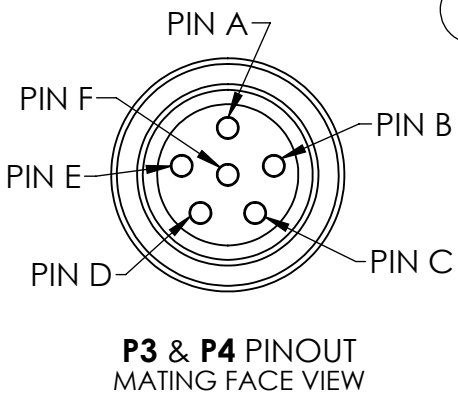
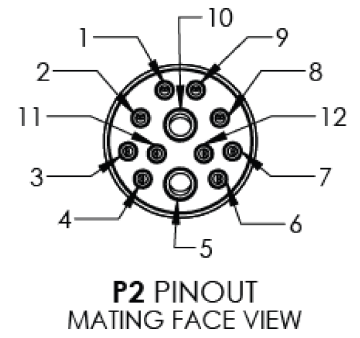
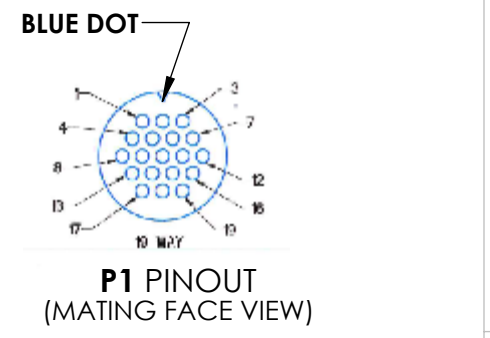
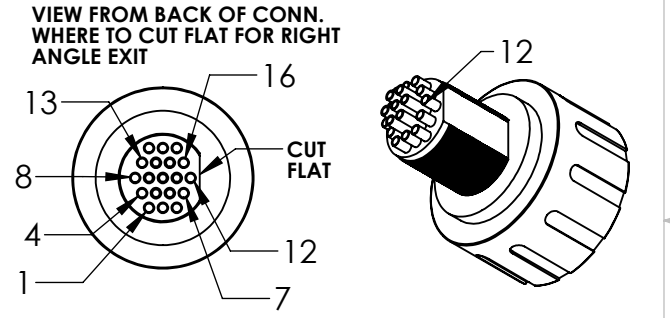
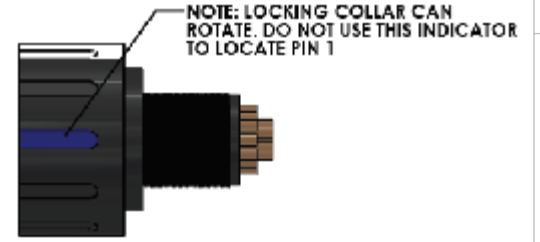
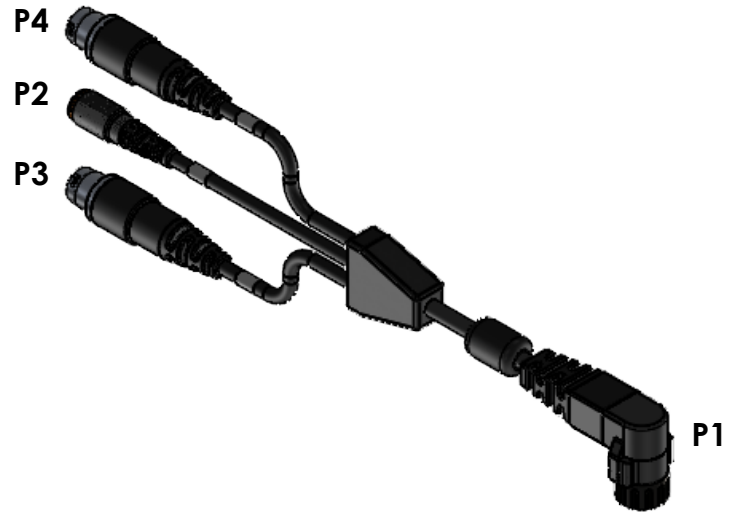


REVISIONS			
REV.	DESCRIPTION	DATE	APPROVED
T	FIXED DIMENSIONS, ADDED ITEM 11	10/29/21	MM
U	UPDATE SPLITTER DIMENSION	6/12/23	DR



VIEWED FROM FACE OF 19 PIN CONNECTOR CLAMP CONNECTOR HIDDEN TO SHOW CLAMP.

- NOTES:
- CABLE 1: 26 AWG, 12 CONDUCTOR, OD: 0.226 NOMINAL. POLYURETHANE INSULATION. OUTER SHIELD 38 AWG, TIN PLATED COPPER BRAID, 90% COVERAGE.
 - CABLE 2: 26 AWG, 19 CONDUCTOR, OD: 0.270 NOMINAL. POLYURETHANE INSULATION. OUTER SHIELD 38 AWG, TIN PLATED COPPER BRAID, 90% COVERAGE.
 - OVERMOLD MATERIAL: 90A POLYETHER-TYPE THERMOPLASTIC POLYURETHANE (TPU).
 - JACKET: BLACK MATTE FINISH.
 - SOLDERING IAW IPC-J-STD-001 AS APPLICABLE.
 - CABLE ASSEMBLIES TO BE 100% TESTED FOR CONTINUITY, SHORTS AND INSULATION RESISTANCE (250V @ 100MOHM MINIMUM)
 - CAP AND STOW UNUSED WIRES. PLACE SHRINK BOOT OVER DRAIN WIRE.

UNLESS OTHERWISE SPECIFIED:
 DIMENSIONS ARE IN: INCHES
 TOLERANCES: .XX: ± 0.03
 .XXX: ± 0.005
 ANGULAR: .X°: 1°
 .XX°: 0.5°
 BREAK EDGES: .005 - .020
 FILLETS: .005 - .020
 SURFACE FINISH:
 GEOMETRIC TOLERANCING PER: ASME Y14.5-2009
 MATERIAL: SEE DRAWING NOTES
 FINISH: SEE DRAWING NOTES
 DO NOT SCALE DRAWING

NAME	DATE
DRAWN TC	8/24/20
CHECKED RJB	8/24/20
COMMENTS:	
PROPRIETARY AND CONFIDENTIAL	
THE INFORMATION CONTAINED IN THIS DRAWING IS THE SOLE PROPERTY OF SUPPLYNET, INC. ANY REPRODUCTION IN PART OR AS A WHOLE WITHOUT THE WRITTEN PERMISSION OF SUPPLYNET INC. IS PROHIBITED.	
CAGE CODE: 1HJX9	

PART NUMBER: SN0745	
TITLE: BATTELLE TRIPPLE SPLITTER	
SIZE B	DWG. NO. SN-FALCON4-ADF
SCALE: NA	WEIGHT:
REV U	SHEET 1 OF 1