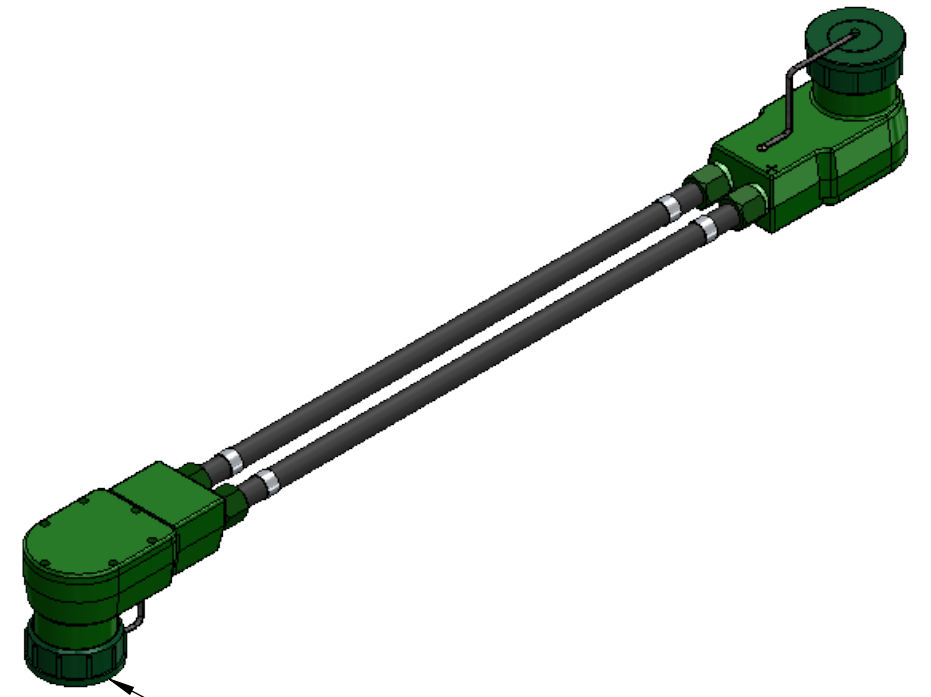
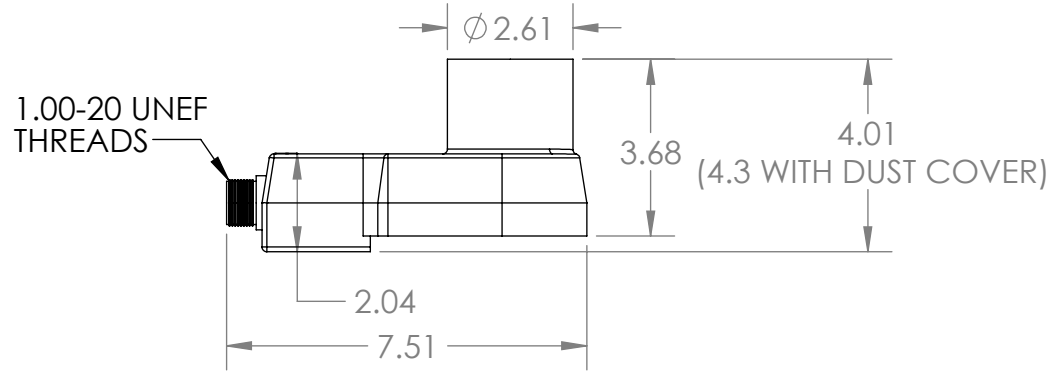
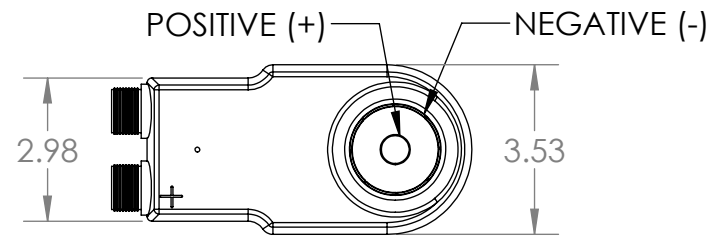


TABLE 1: WIRE RUN LIST		
P1 (ITEM 1)	COLOR	P2 (ITEM 2)
POSITIVE (+)	BLACK	POSITIVE (+)
NEGATIVE (-)	BLACK	NEGATIVE (-)

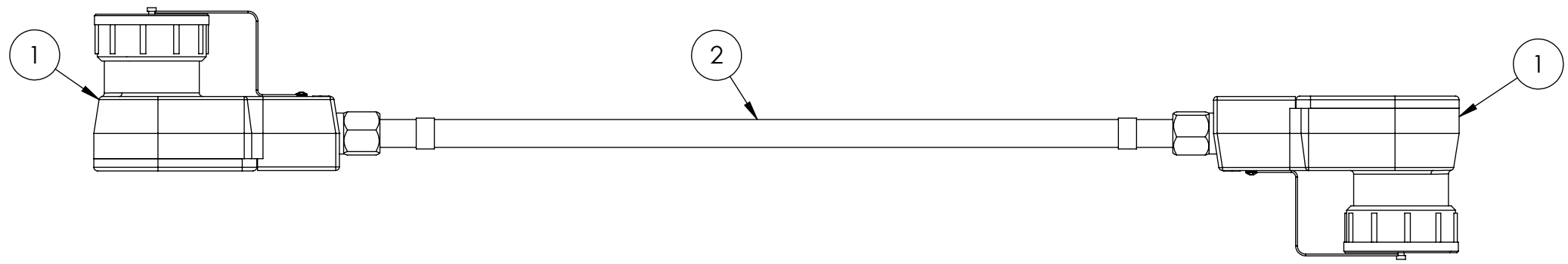
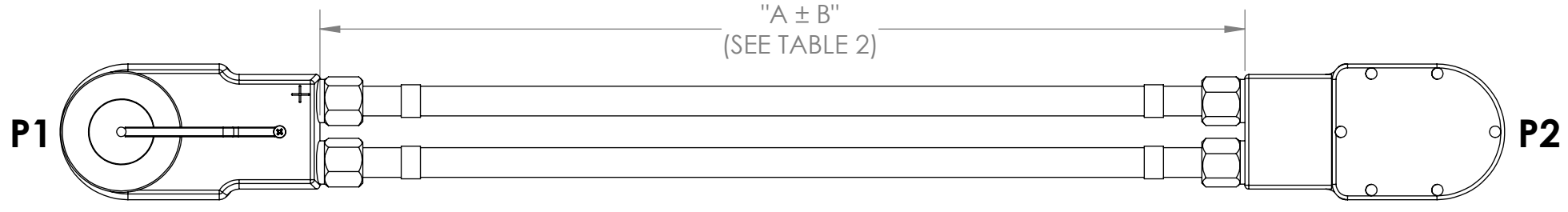
  

TABLE 2:		
"XX" (Feet)	A (INCHES)	B (INCHES)
09	108.0	± 2.0
12	144.0	± 2.0
19	228.0	± 2.5
24	288.0	± 3.0
50	600.0	± 4.0

REV	DATE	DESCRIPTION OF CHANGE	ENG
A	10/10/17	INITIAL RELEASE	LS



DUST COVER  
(CONNECTED WITH LANYARD)



BILL OF MATERIALS			
ITEM NO.	PART NUMBER	QTY	NAME / DESCRIPTION
1	SN-219	2	1000 AMP NATO PLUG
2	TBD	AR	00 (2/0) AWG Wire

REF. NUMBER: SNO410

**SupplyNet** 706 EXECUTIVE BLVD.  
SUITE B  
VALLEY COTTAGE, NY 10989

UNLESS OTHERWISE SPECIFIED:  
 DIMENSIONS ARE IN: INCHES  
 TOLERANCES: .XX: ± 0.03  
 .XXX: ± 0.005  
 ANGULAR: .X°: 1°  
 .XX°: 0.5°  
 BREAK EDGES: .005 - .020  
 FILLETS: .005 - .020  
 SURFACE FINISH:  
 GEOMETRIC TOLERANCING  
 PER: ASME Y14.5 -2009  
 MATERIAL: SEE DRAWING NOTES  
 FINISH: SEE DRAWING NOTES  
 DO NOT SCALE DRAWING

NAME	DATE
DRAWN: LS	10/10/17
CHECKED: RB	10/10/17
COMMENTS:	

TITLE:  
**NATO SLAVE JUMPER  
CABLE, INTER-VEHICLE,  
VARIABLE LENGTH**

SIZE	DWG. NO.	REV
<b>B</b>	SN-224-XX	<b>A</b>

CAGE CODE: 1HJX9 SCALE: NA WEIGHT: SHEET 1 OF 1

- NOTES:**
- CONFORMS TO STANAG 4074.
  - TEMPERATURE RATING: -55C TO +100C
  - PETROLIUM, FUNGUS, AND OZONE RESISTANT.
  - PLUG BODY MATERIAL: POLYCHLOROPRENE
  - JACKET INSULATOR MATERIAL: NEOPRENE
  - WIRE SIZE: 00 (2/0) AWG
  - CONNECTOR CONTACTS: TIN PLATED COPPER ALLOY