

PIN 1/32
SEE NOTE 5.

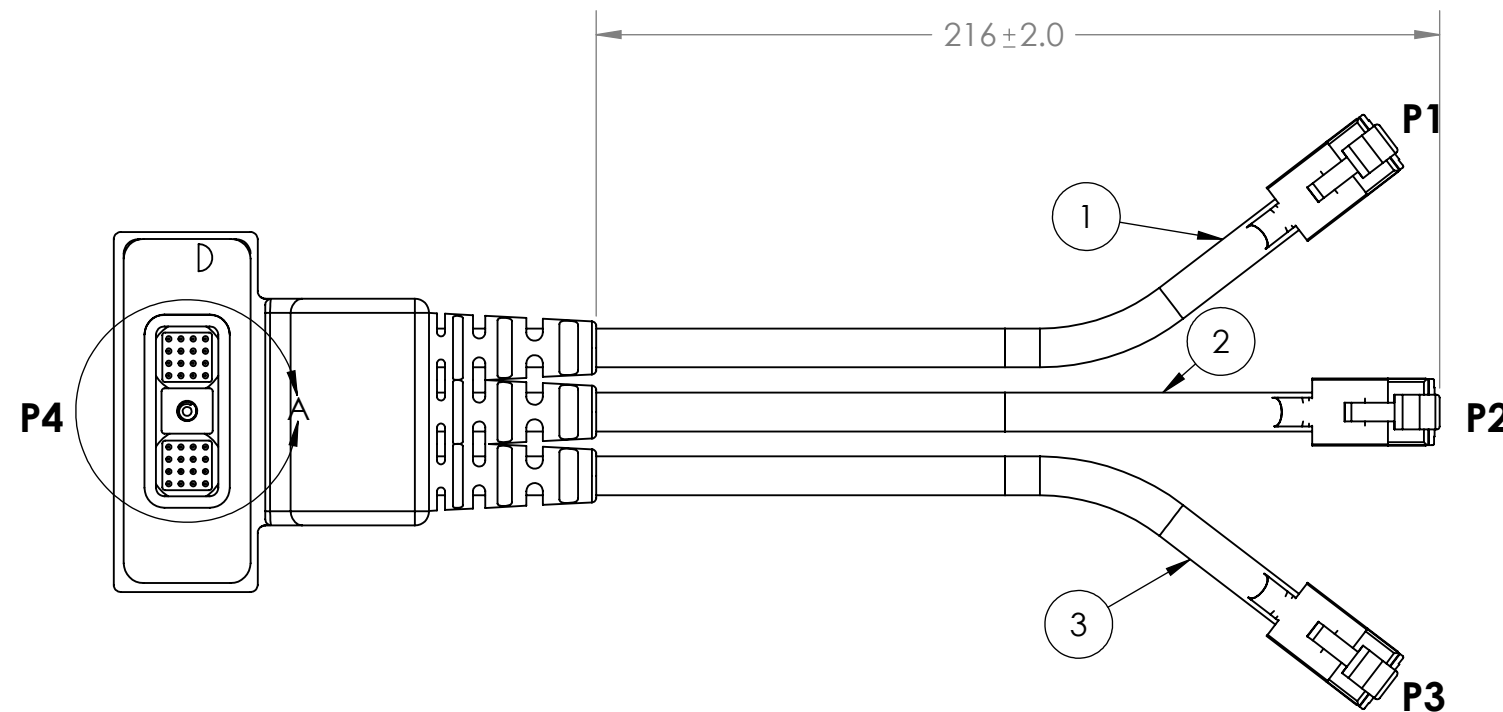
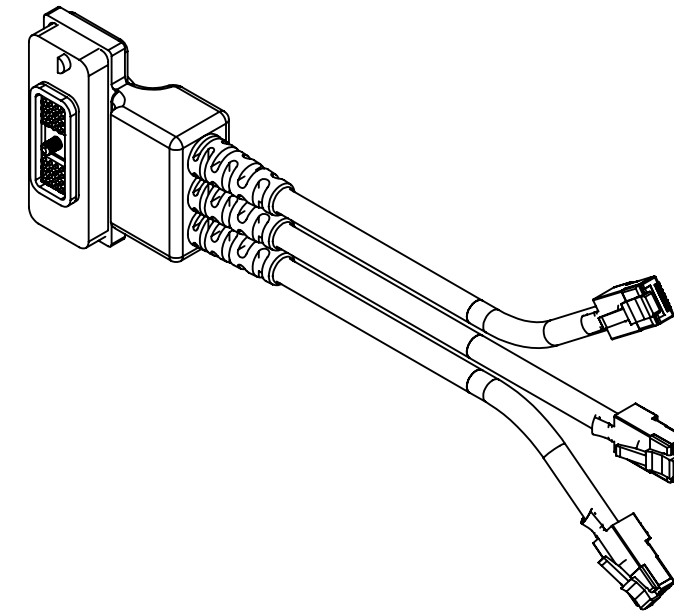
PIN 4/29
SEE NOTE 5.

PIN 29/4
SEE NOTE 5.

PIN 32/1
SEE NOTE 5.

DETAIL A
SCALE 2 : 1

REVISIONS			
REV.	DESCRIPTION	DATE	ENG
B	UPDATED WIRE RUN CHANGED TO RJF CONNECTOR	8/28/2023	CWA
C	UPDATED BOM	8/30/2023	CWA
D	UPDATED CABLE LENGTHS	9/12/2023	MOB



BILL OF MATERIALS				
ITEM NO.	PART NUMBER	QTY	COMMENTS	SUPPLIER CODE
1	51286	218"	4 C CABLE (ETHERNET). .230 DIA	SN
2	51244	218"	12 C CABLE .210 DIA	SN
3	51234	218"	19 C CABLE. .270 DIA.	SN
4	TE-32M-ASSY	1	INCLUDES HOUSING, FASTENERS, THUMBWHEEL. PROVIDED BY SUPPLYNET	SN
5	SN0196	1	SUPPLYNET PROVIDED	SN
6	449150022 OR EQUIV.	3	RJ45 PLUG, 8P8C, SHIELDED	SN

SUPPLIER CODE KEY	
CODE	MEANING
SCS	SUB-CON SOURCED & SUPPLIED
SN	SUPPLYNET SOURCED & SUPPLIED
-L	LONG LEAD TIME ITEM

NOTES:

1. WIRING SHALL BE DONE IN ACCORDANCE WITH TABLE 1 WIRE RUN LIST.
2. PACKAGING REQUIREMENTS: EACH COMPLETED ASSEMBLY SHALL BE PLACED INTO A ZIP-POLY BAG AND MARKED PER SN-STD-LBL.
3. SOLDERING: IAW IPC-J-STD-001 CLASS 2 AS APPLICABLE.
4. ASSEMBLY TO BE 100% TESTED FOR SHORTS & CONTINUITY.
5. MANUFACTURE AND INSPECT IAW IPC/WHMA A- 620 CLASS 2.
6. THE PIN LOCATIONS DO NOT COINCIDE WITH THE PCB LOCATION. THE FIRST NUMBER IS THE ACTUAL PIN LOCATION, AND THE SECOND NUMBER IS THE PCB LOCATION NUMBER.

UNLESS OTHERWISE SPECIFIED:

DIMENSIONS ARE IN: INCHES
TOLERANCES: .XX: ± 0.03
.XXX: ± 0.005
ANGULAR: .X°: 1°
.XX°: 0.5°
BREAK EDGES: .005 - .020
FILLETS: .005 - .020
SURFACE FINISH:

GEOMETRIC TOLERANCING
PER: ASME Y14.5 -2009

MATERIAL: SEE DRAWING NOTES

FINISH: SEE DRAWING NOTES

DO NOT SCALE DRAWING

	NAME	DATE
DRAWN	KC	11/28/22
CHECKED	MOB	11/28/22
COMMENTS:		

PROPRIETARY AND CONFIDENTIAL
THE INFORMATION CONTAINED IN THIS DRAWING IS THE SOLE PROPERTY OF SUPPLYNET, INC. ANY REPRODUCTION IN PART OR AS A WHOLE WITHOUT THE WRITTEN PERMISSION OF SUPPLYNET INC. IS PROHIBITED.

CAGE CODE: 1HJX9

REF. NUMBER: SN0963



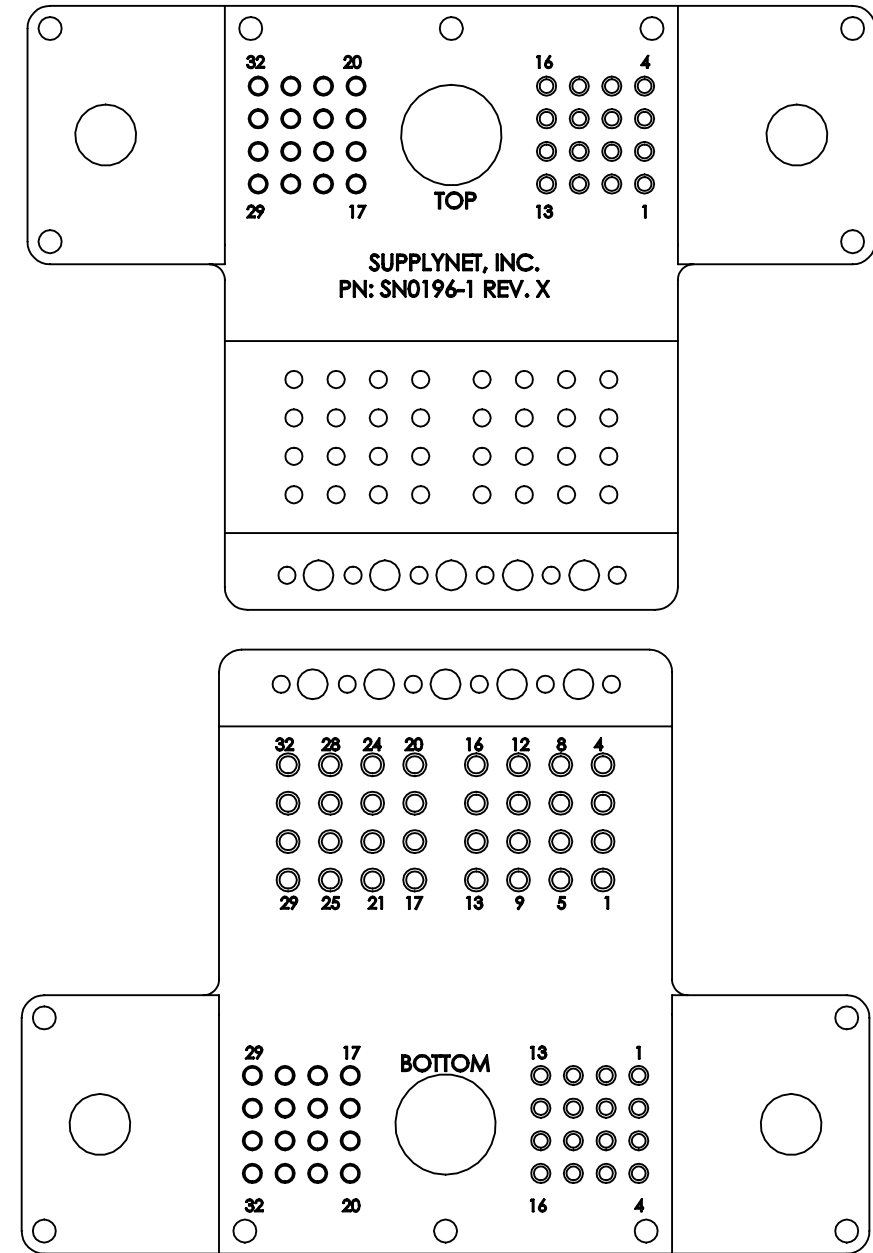
TITLE:
**PRC 117G REAR EXIT, 3
RJ45F, VOICE, SERIAL, AND
ETHERNET**

SIZE	DWG. NO.	REV
B	SN-2032	D

SCALE: NA WEIGHT: SHEET 1 OF 2

Pin 1 (Wire Color) RJ45M P1	Pin 2 (Wire Color) RJ45M P2	Pin 3 (Wire Color) RJ45M P3	P4 PCB PAD LOCATION	P4 32 PIN LOCATION
	4 (Orange)		32	1
			31	2
	3 (Red)		30	3
			29	4
			28	5
			27	6
			26	7
	5 (Yellow)	4 (Red)	25	8
		6 (Light Green*)	24	9
		5 (Yellow)	23	10
			22	11
	7 (Blue)		21	12
			20	13
			19	14
			18	15
			17	16
			16	17
			15	18
			14	19
			13	20
			12	21
			11	22
			10	23
			9	24
	1 (Black)		8	25
			7	26
			6	27
	2 (Brown)		5	28
2 (Blue)			4	29
1 (White)			3	30
6 (Orange)			2	31
3 (White)			1	32
SHIELD	SHIELD	SHIELD	E33, E34	E33, E34

TWISTED PAIR



PART NUMBER: SN0963

SupplyNet DESIGN ENGINEERING MANUFACTURING

TITLE:
PRC 117G REAR EXIT, 3 RJ45F, VOICE, SERIAL, AND ETHERNET

SIZE B	DWG. NO. SN-2032	REV D
CAGE CODE: 1HJX9	SCALE: NA	WEIGHT:

SHEET 2 OF 2

PROPRIETARY AND CONFIDENTIAL
THE INFORMATION CONTAINED IN THIS DRAWING IS THE SOLE PROPERTY OF SUPPLYNET, INC. ANY REPRODUCTION IN PART OR AS A WHOLE WITHOUT THE WRITTEN PERMISSION OF SUPPLYNET INC. IS PROHIBITED.