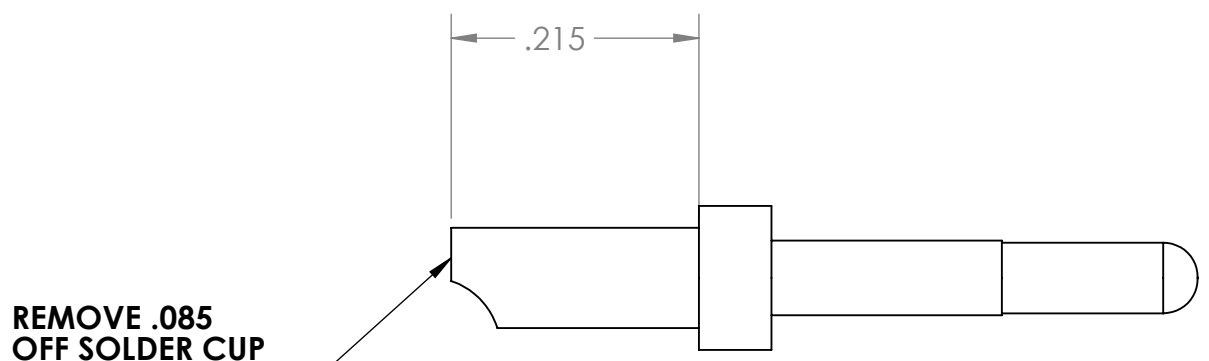


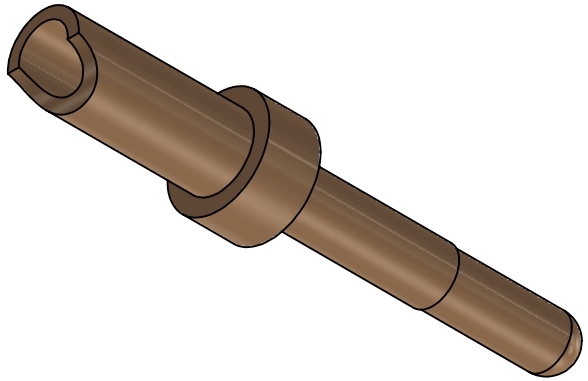
REV	DATE	DESCRIPTION OF CHANGE	ENG
A	7/30/19	INITIAL REV.	TC



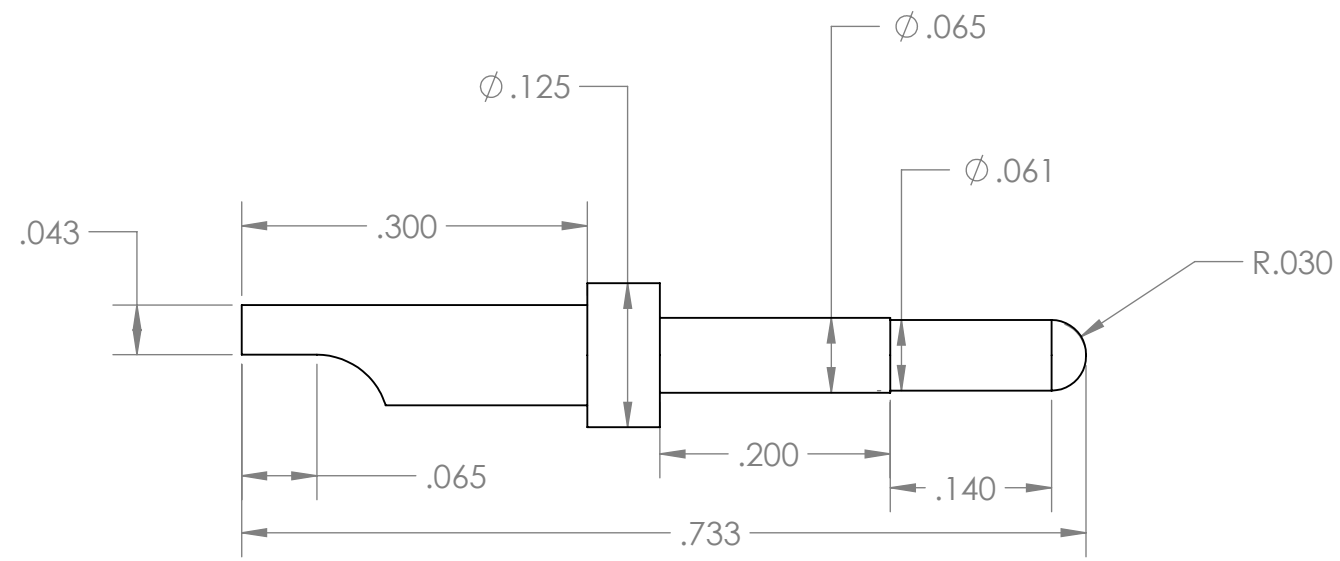
REMOVE .085  
OFF SOLDER CUP  
SIDE

### 66-5590-2

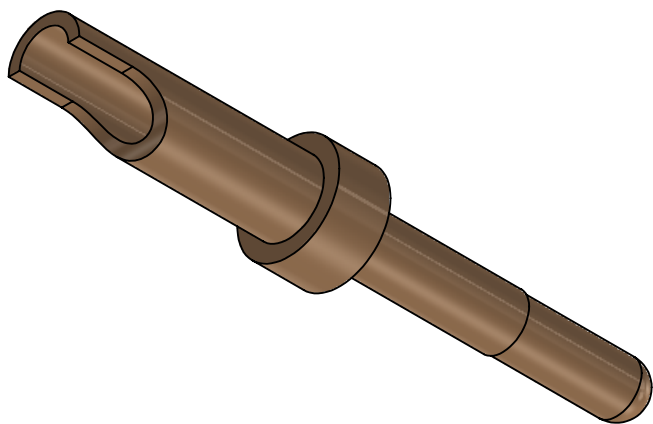
ALL DIMENSIONS ARE THE SAME AS  
66-5590-1 WITH THE EXCEPTION OF THE SOLDER CUP SIDE LENGTH .  
THIS IS TRIMMED SHORTER



**GOLD PLATED BRASS**  
**.5um**



### 66-5590-1



UNLESS OTHERWISE SPECIFIED:  
DIMENSIONS ARE IN: INCHES  
TOLERANCES: .XX: ± 0.03  
.XXX: ± 0.005  
ANGULAR: .X°: 1°  
.XX°: 0.5°  
BREAK EDGES: .005 - .020  
FILLETS: .005 - .020  
SURFACE FINISH:  
GEOMETRIC TOLERANCING  
PER: ASME Y14.5 -2009  
MATERIAL: SEE DRAWING NOTES  
FINISH: SEE DRAWING NOTES  
DO NOT SCALE DRAWING

	NAME	DATE
DRAWN	TC	03/16/15
CHECKED	RJB	03/16/15
COMMENTS:		
<b>PROPRIETARY AND CONFIDENTIAL</b> THE INFORMATION CONTAINED IN THIS DRAWING IS THE SOLE PROPERTY OF SUPPLYNET, INC. ANY REPRODUCTION IN PART OR AS A WHOLE WITHOUT THE WRITTEN PERMISSION OF SUPPLYNET INC. IS PROHIBITED.		
<b>CAGE CODE: 1HJX9</b>		

REF. NUMBER: SN0439		
<b>SupplyNet</b> 706 EXECUTIVE BLVD. SUITE B VALLEY COTTAGE, NY 10989		
TITLE: <b>BB5590 SOLDER CUP PINS</b>		
SIZE <b>B</b>	DWG. NO. <b>66-5590-X</b>	REV <b>A</b>
SCALE: NA	WEIGHT:	SHEET 1 OF 1